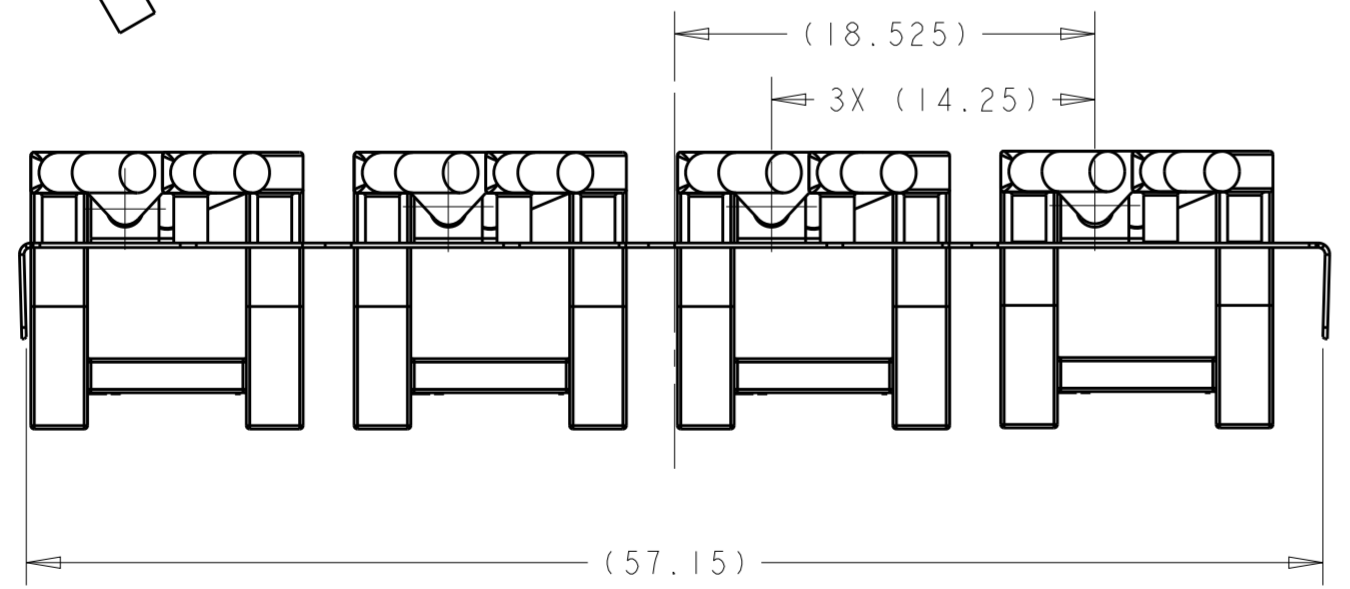
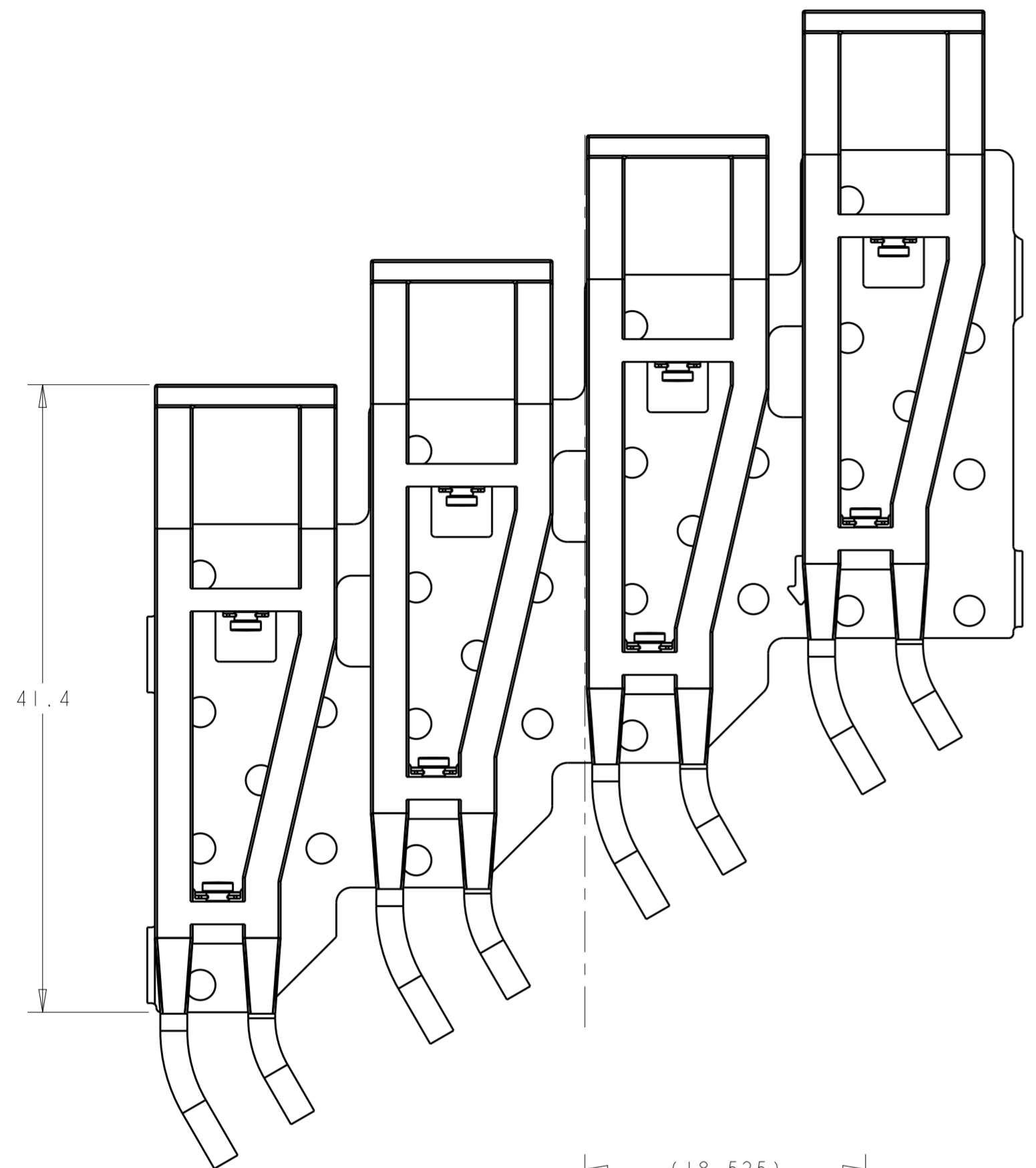


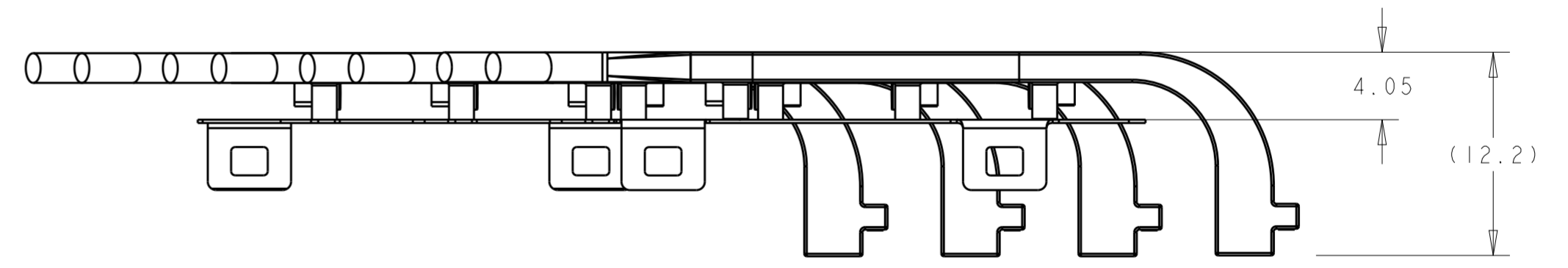
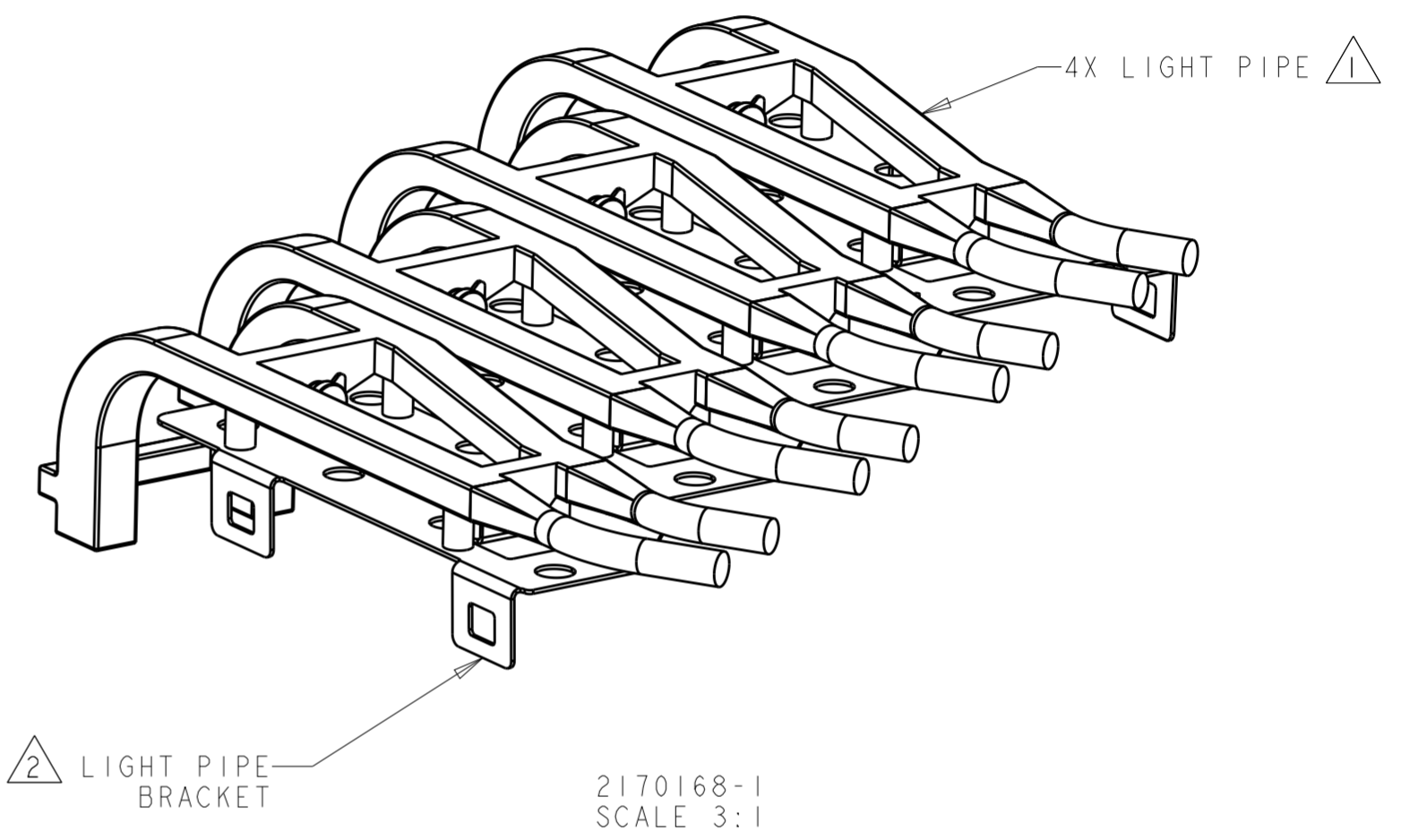
THIS DRAWING IS UNPUBLISHED. RELEASED FOR PUBLICATION 20
 © COPYRIGHT 20 BY - ALL RIGHTS RESERVED.

LOC	DIST	REVISIONS			
P	LTR	DESCRIPTION	DATE	DWN	APVD
GP	00	A	RELEASED	25FEB2016	JW SH



SCALE 3:1

- 1 POLYCARBONATE, CLEAR, UL 94V-2.
- 2 STAINLESS STEEL PER ASTM A 666



2170168-1
PART NUMBER

THIS DRAWING IS A CONTROLLED DOCUMENT.		DWN 08NOV2011 JASON YANG	STE TE Connectivity	
DIMENSIONS: mm		CHK 08NOV2011 ALEX CAI		
TOLERANCES UNLESS OTHERWISE SPECIFIED:		APVD 08NOV2011 ALEX CAI	NAME 1X4 LIGHT PIPE ASSEMBLY SFP/SFP+	
0 PLC ±0.2		PRODUCT SPEC 108-2364	SIZE CAGE CODE DRAWING NO RESTRICTED TO	
1 PLC ±0.2		APPLICATION SPEC -	A200779 C-2170168	
2 PLC ±0.2		WEIGHT -	SCALE 4:1 SHEET 1 OF 1 REV A	
3 PLC ±0.2		CUSTOMER DRAWING		
4 PLC ±				
ANGLES ±				
FINISH				