



PRODUCT DATASHEET

Tina series

last update 11/11/2016

DETAILS

Product Number	CA13178_TINA3-WW
Family	Tina
Type	Assembly
Color	white
Diameter	16,1 mm
Height	6,8 mm
Style	round
Optic Material	PMMA
Holder Material	
Fastening	tape
Status	production ready
ROHS Compliant	Yes
Date Updated	11/11/2016

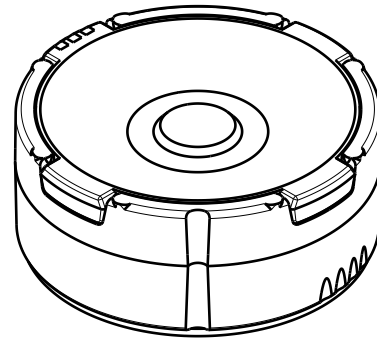
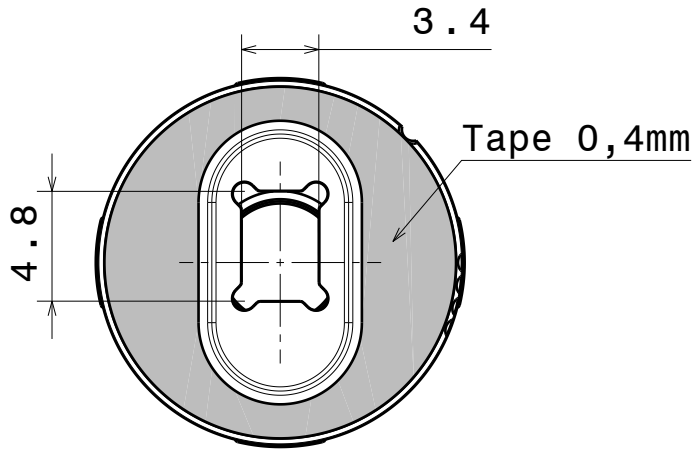


OPTICAL PROPERTIES

LED	Viewing Angle	Light Beam	Efficiency	cd/lm	Connector
LUXEON Rebel ES	61 deg	Very Wide	91 %	0.900	-

D C B A

4

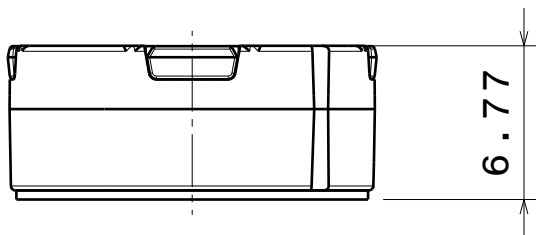


4

Bottom view

Isometric view

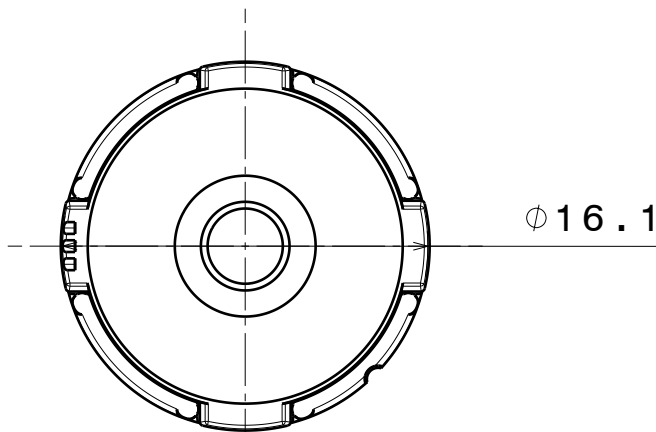
3



3

Front view

2



2

Top view

Materials

Lens: PMMA

Holder: PC

Tape: PU Foam

This drawing is our property.
It can't be reproduced
or communicated without
our written agreement.

LEDIL Ledil Oy
Salorankatu 10
FIN 24240 SALO
Finland

DRAWING TITLE Mechanical Drawing

DRAWN BY
as

DATE
21.9.2012

TINA3-RE-ES

CHECKED BY
VS

DATE
-

SIZE PART NUMBER
A4

REV
001

DESIGNED BY
-

DATE
-

SCALE 3:1 WEIGHT -

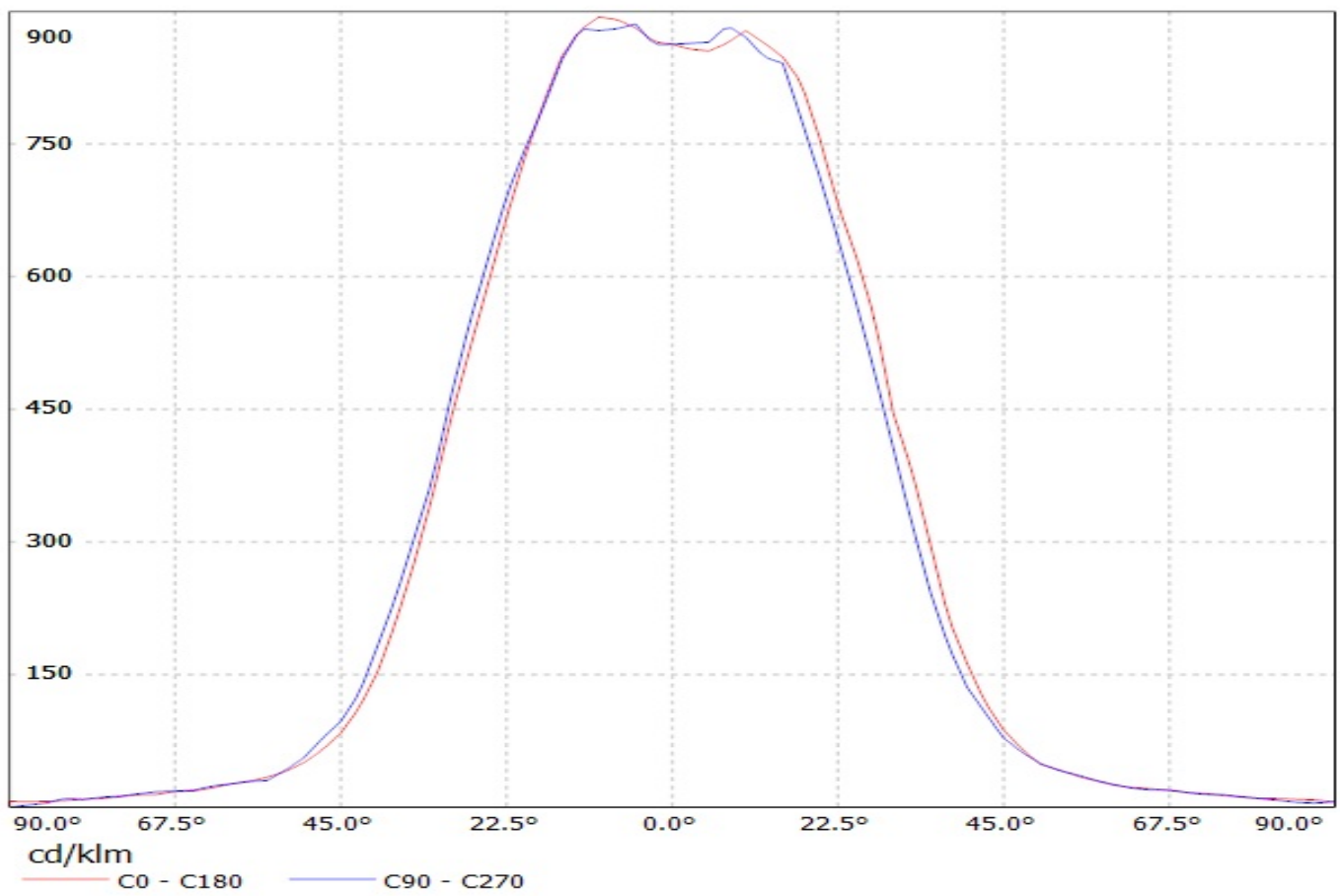
SHEET 1/1

1

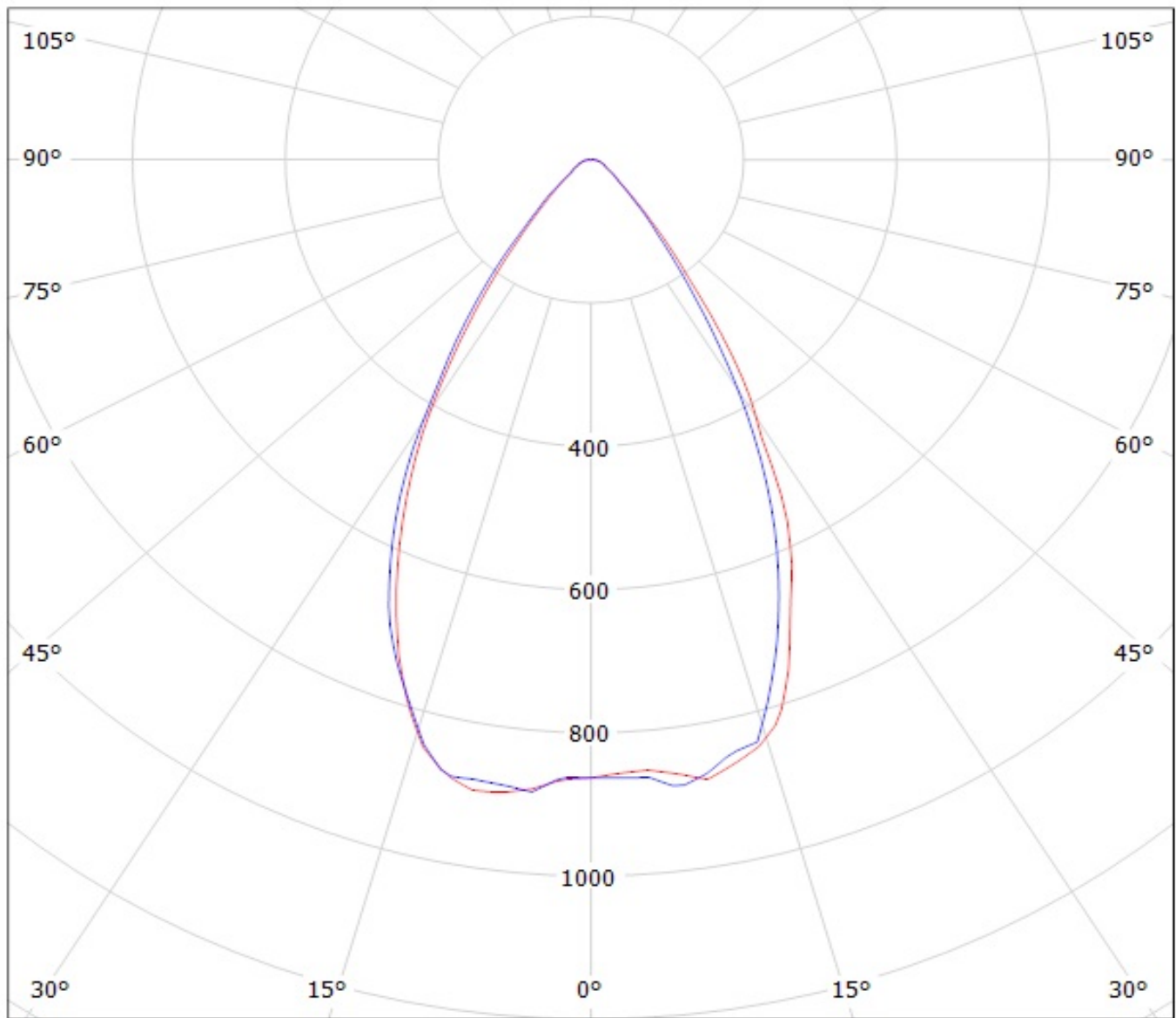
1

D A

Luminaire: Ledil oy CA13178_TINA3-WW (Luxeon Rebel-ES 92lm @ 250mA) Efficiency=91%
Lamps: 1 x Luxeon Rebel-ES 92lm @ 250mA



Luminaire: Ledil oy CA13178_TINA3-WW (Luxeon Rebel-ES 92lm @ 250mA) Efficiency=91%
Lamps: 1 x Luxeon Rebel-ES 92lm @ 250mA



cd/klm
— C0 - C180 — C90 - C270

NOTE: The typical divergence will be changed by different color, chip size and chip position tolerance. The typical total divergence is the full angle measured where the luminous intensity is half of the peak value.