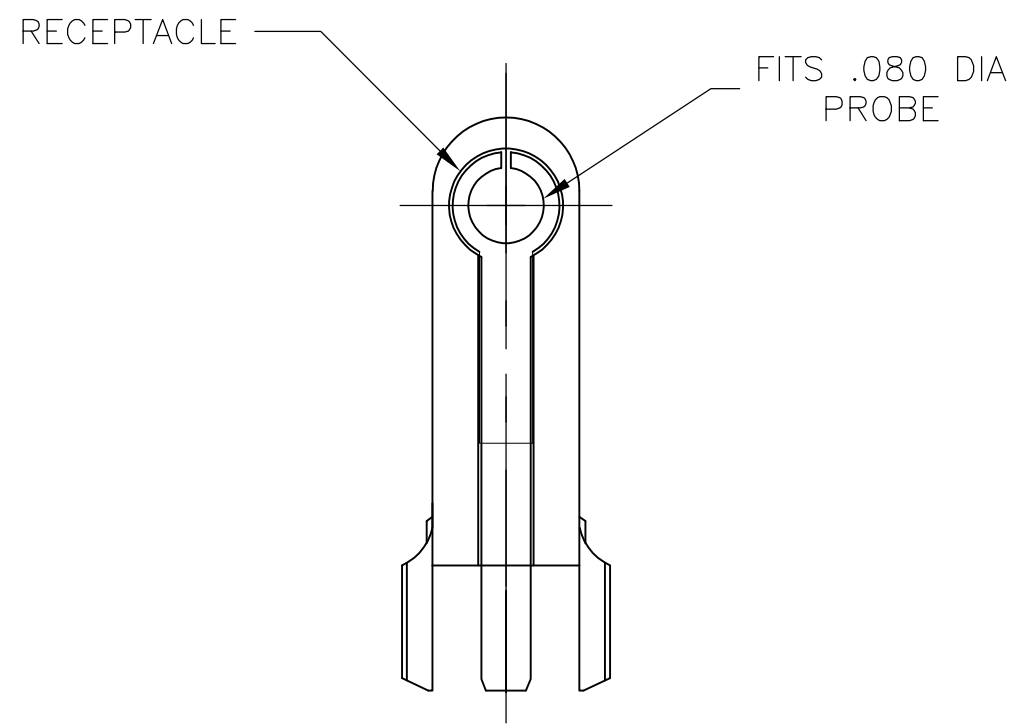
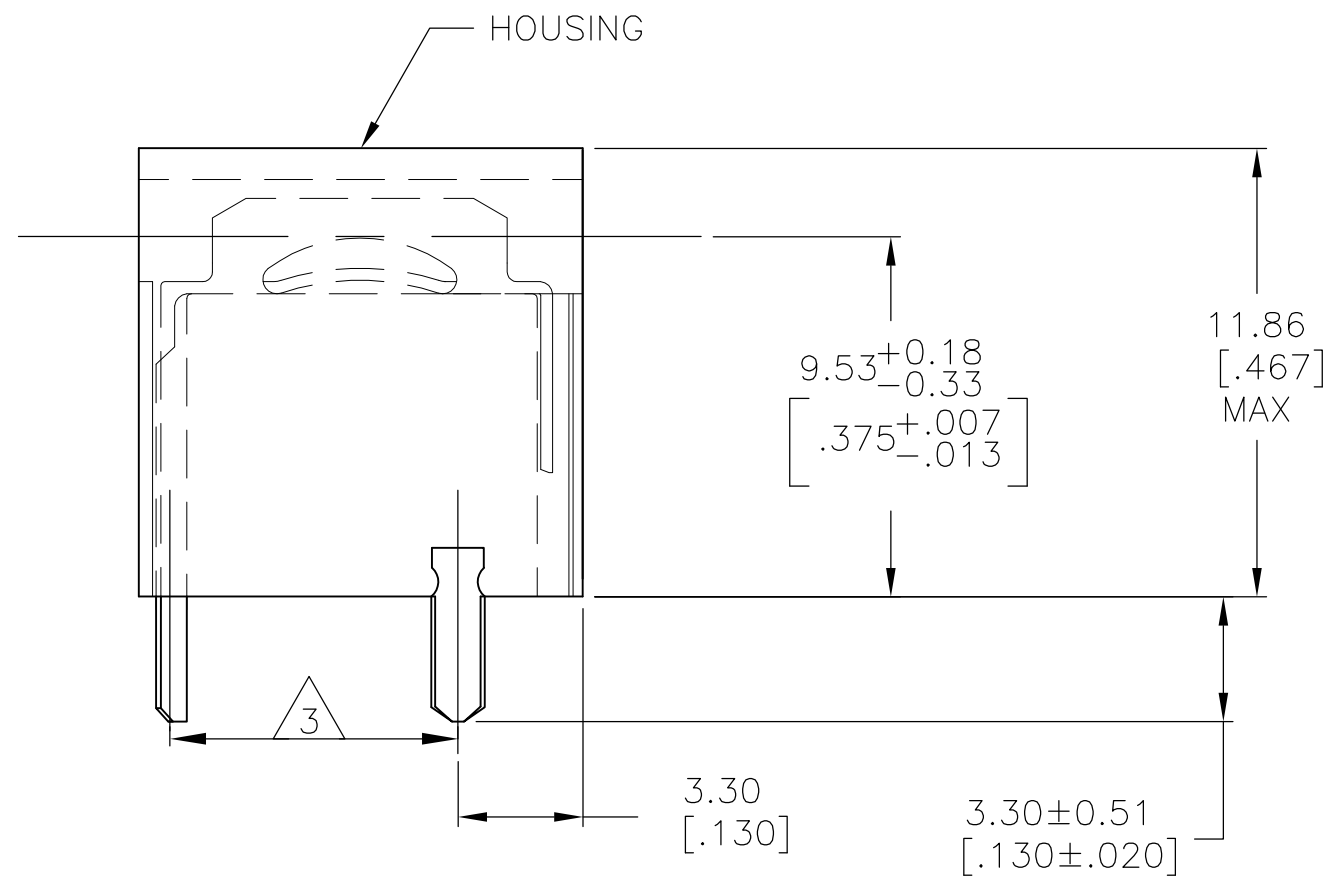
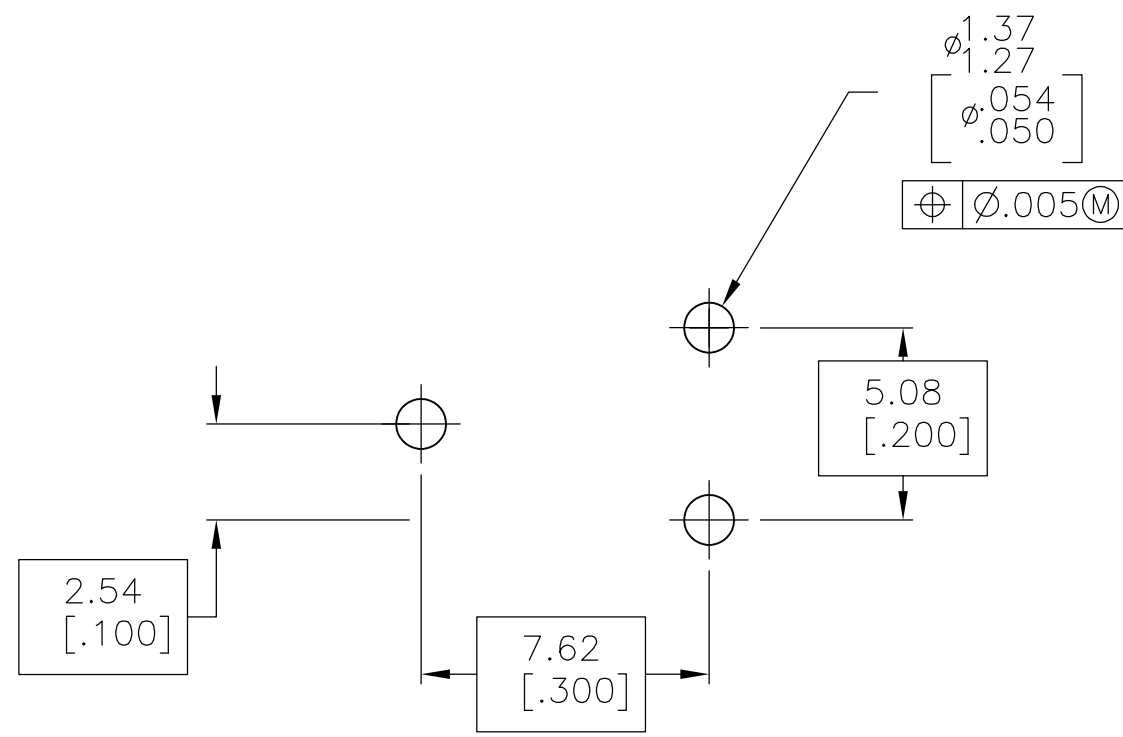
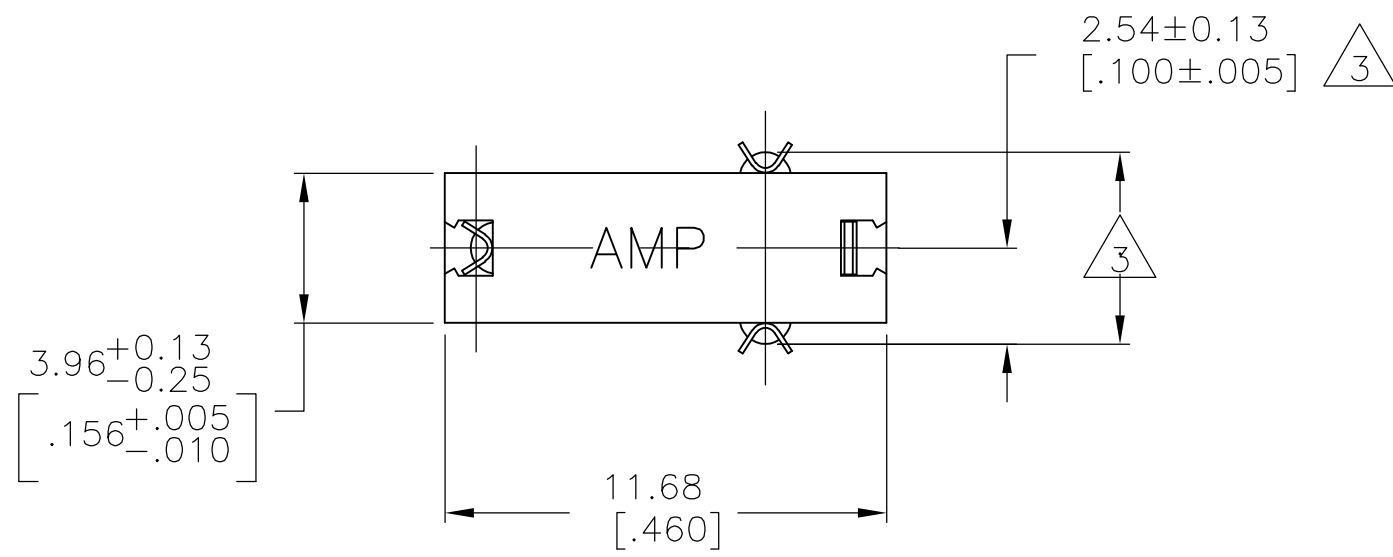


THIS DRAWING IS UNPUBLISHED. RELEASED FOR PUBLICATION  
 © COPYRIGHT BY TYCO ELECTRONICS CORPORATION. ALL INTERNATIONAL RIGHTS RESERVED.

LOC	DIST	REVISIONS			
P	LTR	DESCRIPTION	DATE	DWN	APVD
AF	50	AE1	REVISED PER ECR-08-007463	04AUG08	HMR JR



- 1 OPERATING TEMPERATURE - 105°C MAX
- 2 RETENTION FORCE - 16 OUNCES MIN INITIALLY, 6 OUNCES MIN, AFTER 500 CYCLES.
- 3 REFER TO MOUNTING HOLE PATTERN
- 4 HOUSING - 6/6 NYLON, LEGS & RECEPT - BRASS ASTM-B36 ALLOY 6



RECOMMENDED MOUNTING HOLE PATTERN

LEGS & RECEPT FINISH	COLOR	PART NO
GOLD	NATURAL	6-582120-9
	WHITE	3-582120-9
	GRAY	3-582120-8
	VIOLET	3-582120-7
	BLUE	3-582120-6
	GREEN	3-582120-5
	YELLOW	3-582120-4
	ORANGE	3-582120-3
	RED	3-582120-2
	BROWN	3-582120-1
GOLD	BLACK	3-582120-0

THIS DRAWING IS A CONTROLLED DOCUMENT.		DWN RAGHAVENDRA 04AUG2008	Tyco Electronics Corporation Harrisburg, PA 17105-3608	
DIMENSIONS: mm [INCHES]		CHK JEFF RUTH 04AUG2008	TEST PROBE ASSY	
TOLERANCES UNLESS OTHERWISE SPECIFIED:		APVD ED HOWARD 04AUG2008	NAME	
0 PLC ± -		PRODUCT SPEC	SIZE CAGE CODE DRAWING NO RESTRICTED TO	
1 PLC ± -		APPLICATION SPEC	A2 00779 C=582120	
2 PLC ± -		WEIGHT -	SCALE 5:1 SHEET 1 OF 1 REV AE1	
3 PLC ± 0.38 [.015]		CUSTOMER DRAWING		
4 PLC ± -				
ANGLES ± -				
FINISH SEE ABOVE				