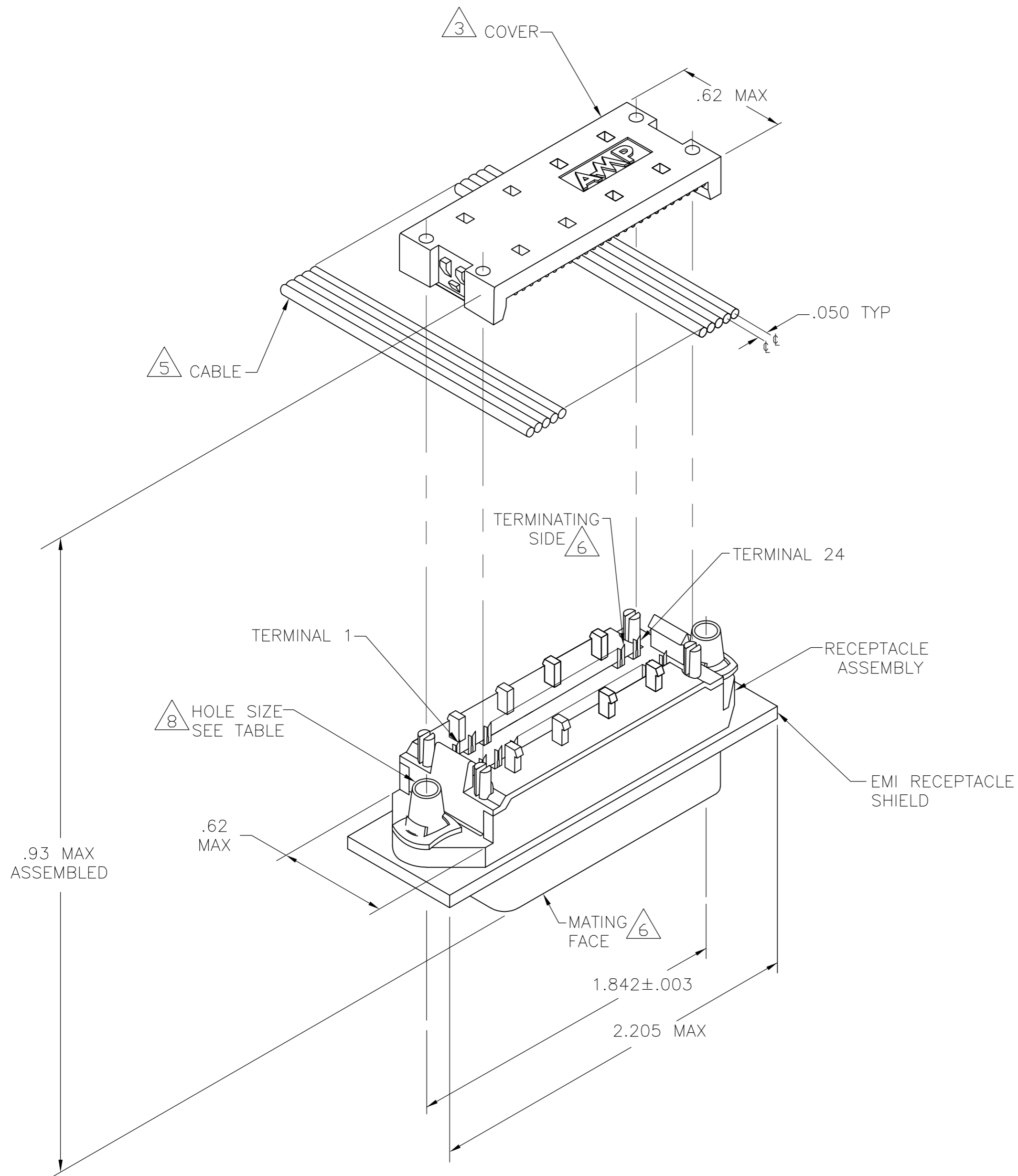
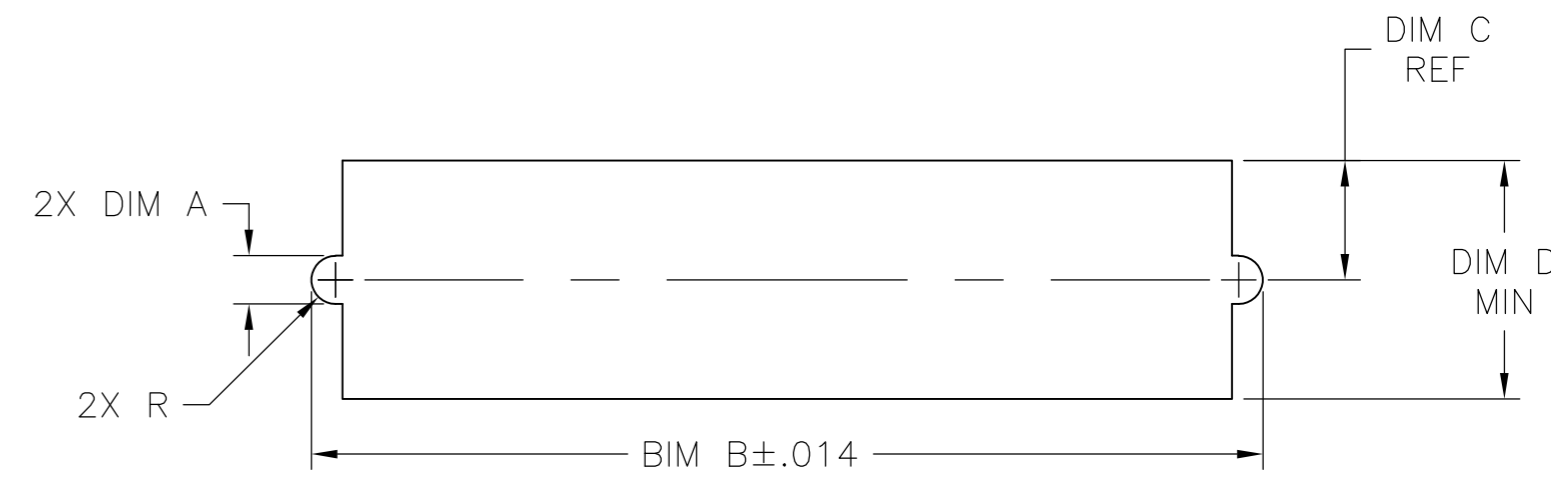


THIS DRAWING IS UNPUBLISHED. RELEASED FOR PUBLICATION
 © COPYRIGHT BY TYCO ELECTRONICS CORPORATION. ALL RIGHTS RESERVED.

LOC	DIST	REVISIONS					
GP	00	P	LTR	DESCRIPTION	DATE	DWN	APVD
		H		REVISED PER ECO-08-007327	17APR08	BM	WM



1. THE CONTACT SURFACES OF THE TERMINALS ARE COATED WITH LUBRICANT.
- 2 MATERIAL:
 HOUSING & COVER – POLYPHENYLENE OXIDE, BLACK.
 TERMINALS – PHOS BRONZE PLATED WITH EITHER .000030 MINIMUM GOLD PLATE OR GOLD FLASH OVER PALLADIUM NICKEL PLATE, .000030 MIN TOTAL ON MATING SURFACE. GOLD FLASH PLATED ON TERMINATING SIDE. .000050 MINIMUM NICKEL UNDERPLATE OVER ENTIRE TERMINAL.
 EMI SHEILD – NICKEL PLATED DIE CASTING.
 SPEED NUTS – ZINC PLATED STEEL.
- 3 COVER SHOWN LOOSE BUT SHIPPED ASSEMBLED.
4. WIRE RANGE: 26 AWG SOLID THRU 30 AWG SOLID AND 28 AWG STRANDED RIBBON CABLE.
- 5 FLAT CABLE SHALL BE FURNISHED BY CUSTOMER.
- 6 MATING FACE CONSISTS OF TWO ROWS OF TERMINALS ON .085 CENTERS. TERMINATING SIDE CONSISTS OF TERMINALS ON .100 CENTERS FOR AN EFFECTIVE .050 TERMINATION.
- 7 PANEL THICKNESS RANGE: .062 MAXIMUM.
- 8 HOLES TO BE TAPPED AFTER PLATING.
9. FOR MORE INFORMATION REFER TO AMP PRODUCT SPECIFICATION 108-6076 & APPLICATION SPEC 114-6030.



7 SUGGESTED REAR PANEL MOUNTING CUTOUT DIMENSIONS

.620	.310	1.994	.152 ± .003	6-32 UNC-2B	554434-1
DIM D	DIM C	DIM B	DIM A	SHIELD HOLE SIZE	PART NUMBER

THIS DRAWING IS A CONTROLLED DOCUMENT.		DWN	19/MAR/07	Tyco Electronics Corporation Harrisburg, PA 17105-3608	
DIMENSIONS: INCHES		Z. REAM	19/MAR/07	EMI RECEPTACLE ASSEMBLY, 24 POSITION LOW PROFILE, SHIELDED, SCREW LOCK CHAMP LATCH	
TOLERANCES UNLESS OTHERWISE SPECIFIED:		CHK	19/MAR/07		
0 PLC ± -		W. MILLHIMES	19/MAR/07		
1 PLC ± -		APVD	19/MAR/07		
2 PLC ± -		PRODUCT SPEC		SIZE	CAGE CODE
3 PLC ± -		APPLICATION SPEC		A2	00779
4 PLC ± -				DRAWING NO	554434
ANGLES ± -				RESTRICTED TO	
FINISH		WEIGHT		SCALE	SHEET
2				2:1	1 of 1
		CUSTOMER DRAWING		REV	H

554434

A