

PRODUCT DATASHEET

Lena series

last update 23/2/2014

DETAILS

Product Number	CN12296_LENA-S-DL
Family	Lena
Type	RefPack
Color	metal
Diameter	111 mm
Height	85,6 mm
Style	round
Optic Material	PC
Holder Material	
Fastening	screw
Status	production ready
ROHS Comliant	Yes
Date Updated	23/02/2014

OPTICAL PROPERTIES

LED	Viewing Angle	Light Beam	Efficiency	cd/lm	Connector
LUXEON CoB 1204/1205	12 deg	Spot	77 %	7.300	-
LUXEON CoB 1208	14 deg	Spot	78 %	6.000	-
Mega Zenigata (GW5DGC)	14 deg	Spot	80 %	-	-
Mega Zenigata (GW6DME)	14 deg	Spot	77 %	6.150	-

D

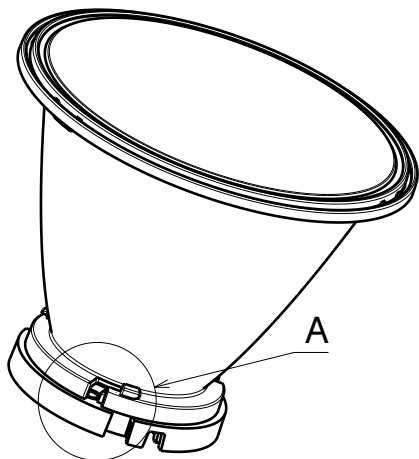
C

B

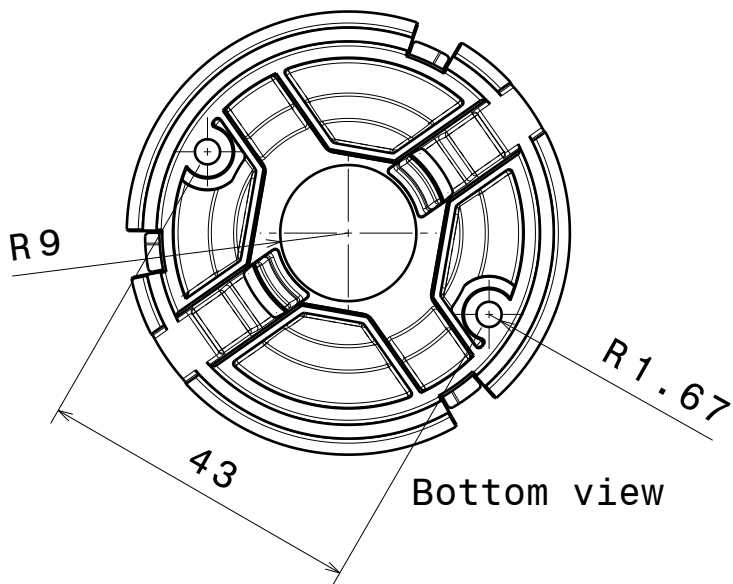
A

4

4



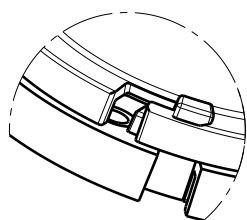
Isometric view



Bottom view

3

3

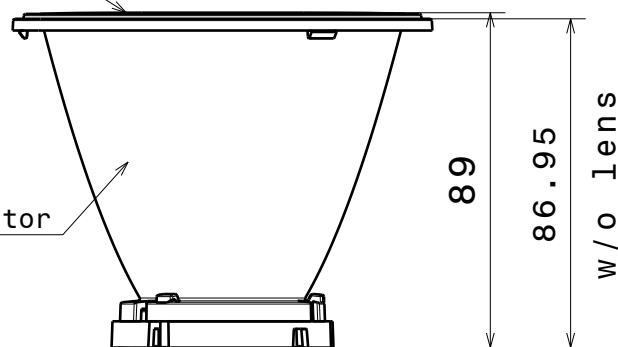


Detail A

Lena lens (optional)

Lena reflector

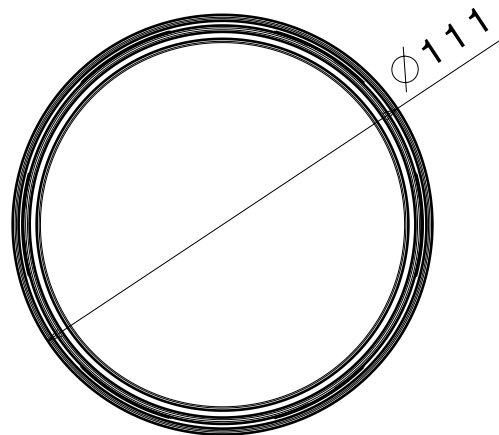
Lena base MEZ



Front view

2

2



Top view

This drawing is our property.
It can't be reproduced
or communicated without
our written agreement.



Ledil Oy
Salorankatu 10
FIN-24100 SALO
Finland

DRAWING TITLE

Datasheet Lena-MEZ

1

1

DRAWN BY
ah

DATE
14.12.2012

CHECKED BY
pl

DATE
14.12.2012

SIZE
A4

DRAWING NUMBER

-

REV
2

DESIGNED BY
pl

DATE
14.12.2012

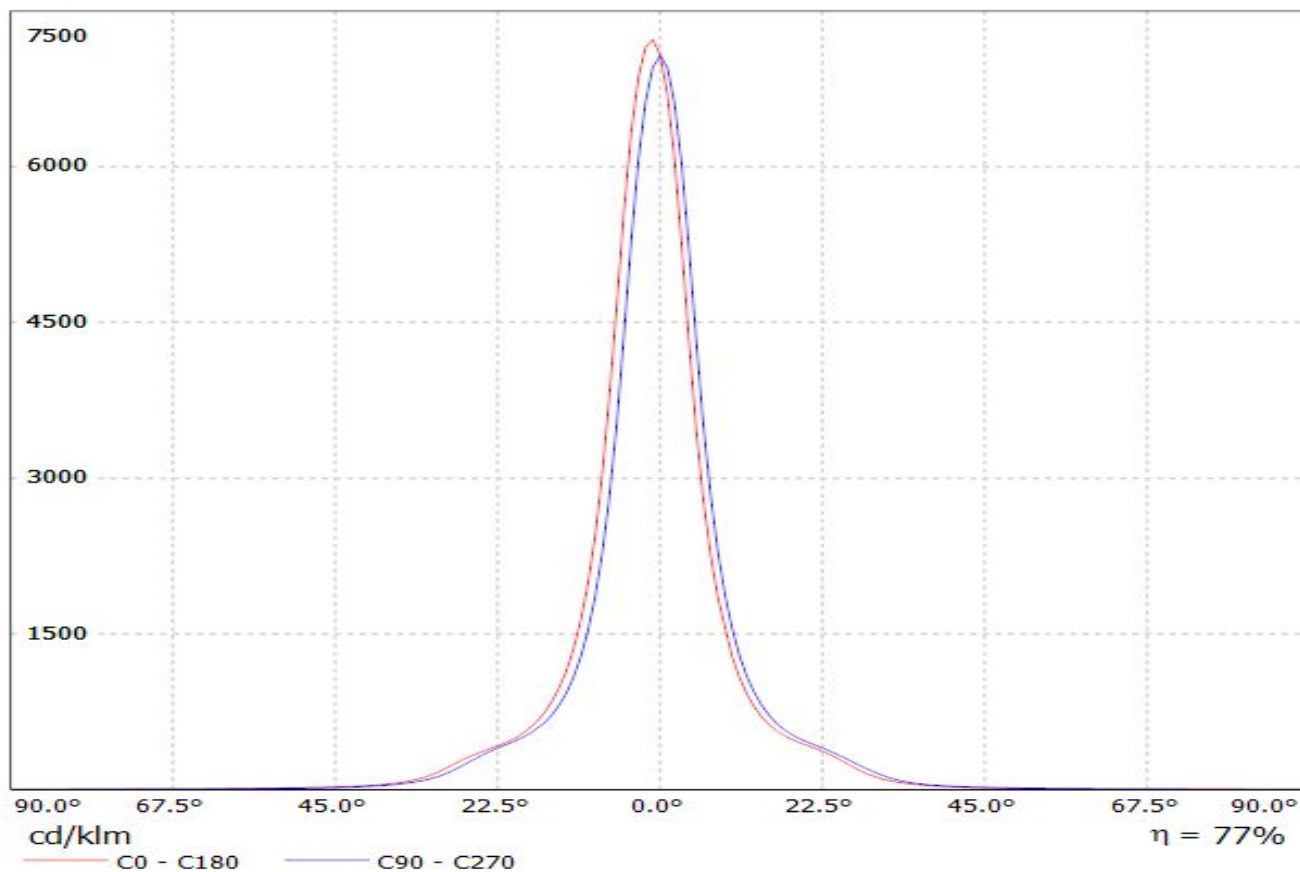
SCALE 1:2 WEIGHT (g)

SHEET 1/1

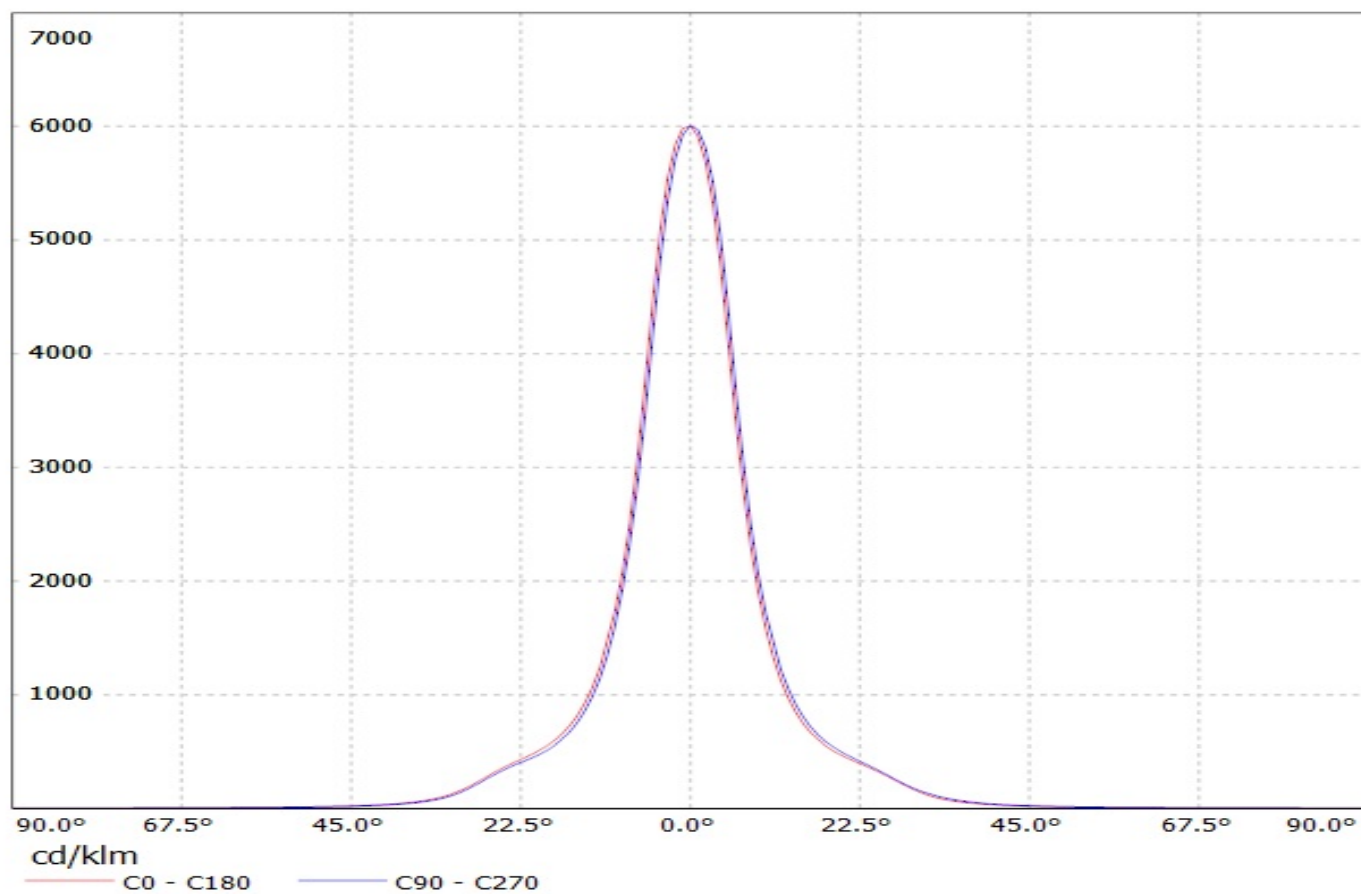
D

A

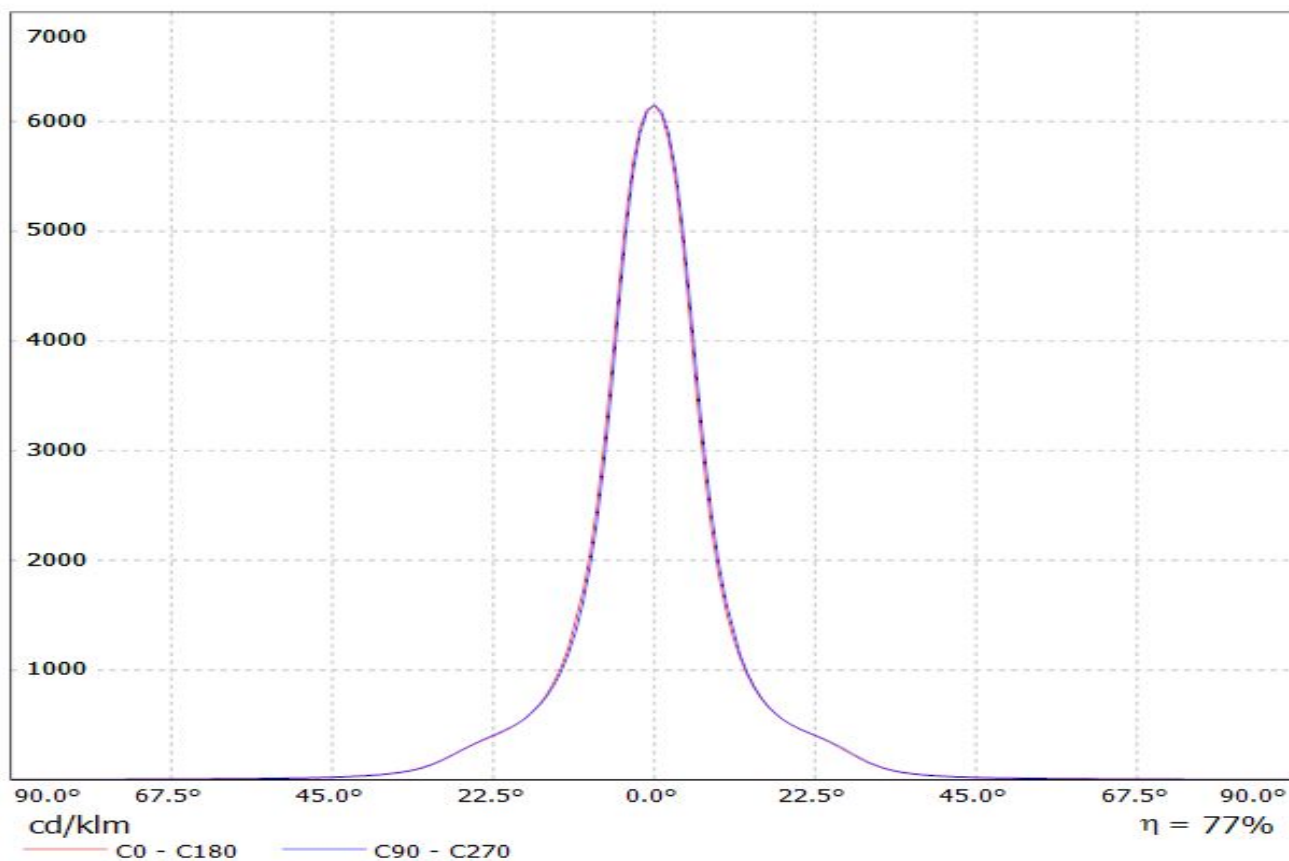
Luminaire: LEDiL Oy CN12296_LENA-S-DL (LUXEON CoB_1205) Eff: 77 %
Lamps: 1 x LUXEON CoB 1205 (LHC1-3080-1205) 1106lm@250mA CCT=3000K P=8.3W I=250mA



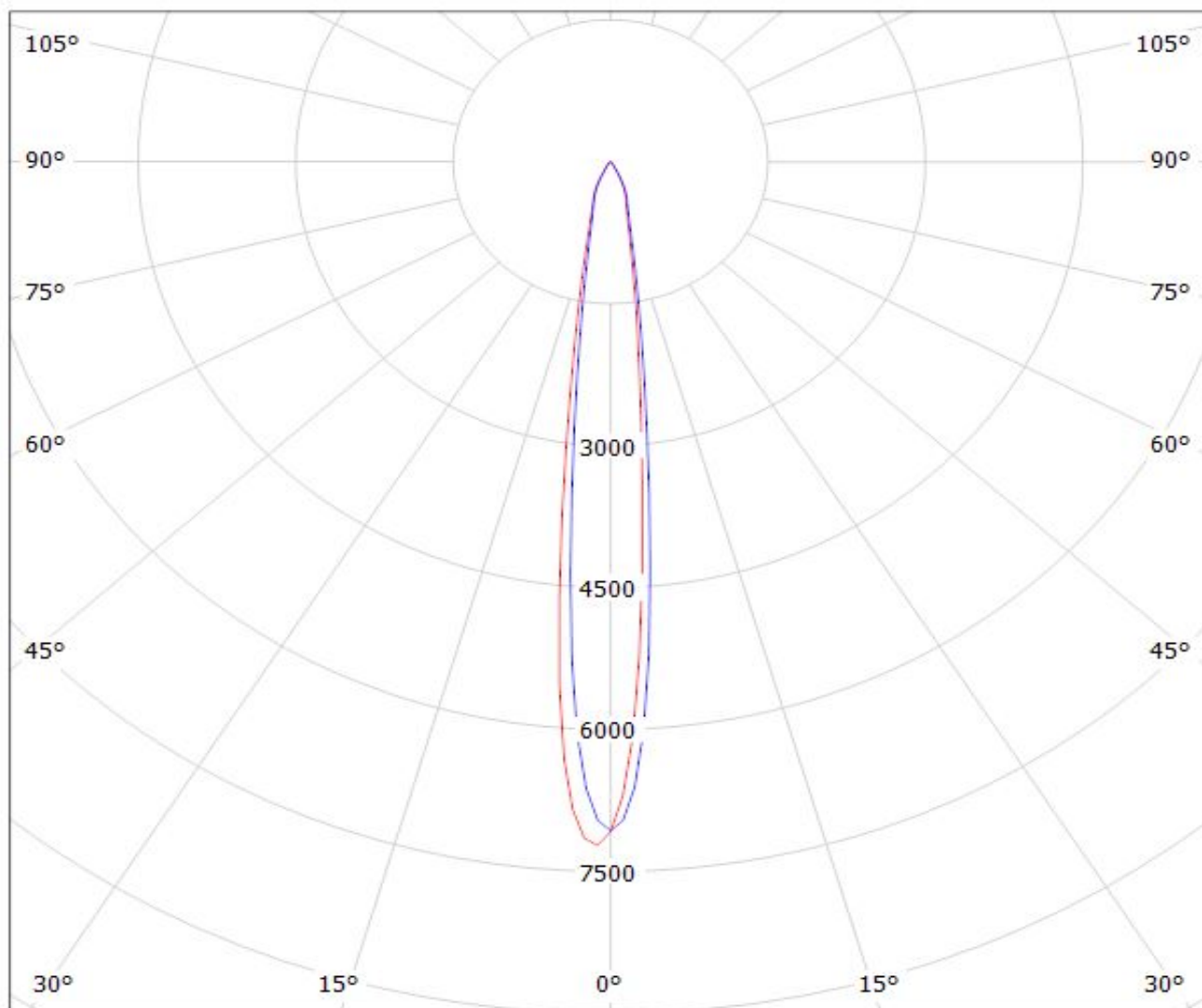
Luminaire: LEDiL Oy CN12296_LENA-S-DL_(Luxeon-Cob-1208) Eff: 78 %
Lamps: 1 x Luxeon CoB 1208 (LHC1-3080-1208) 1065lm@250mA CCT=3000K P=8.3W I=250mA



Luminaire: LEDiL Oy CN12296_LENA-S-DL_(Megazenigata_GW6D) Eff.76.9%
Lamps: 1 x SHARP_Megazenigata_(GW6DMC40NFC)_1085.92lm@250mA_P=8.49295W_I=249.8mA



Luminaire: LEDiL Oy CN12296_LENA-S-DL_(LUXEON_CoB_1205) Eff: 77 %
Lamps: 1 x LUXEON CoB 1205 (LHC1-3080-1205) 1106lm@250mA CCT=3000K P=8.3W I=250mA



cd/klm

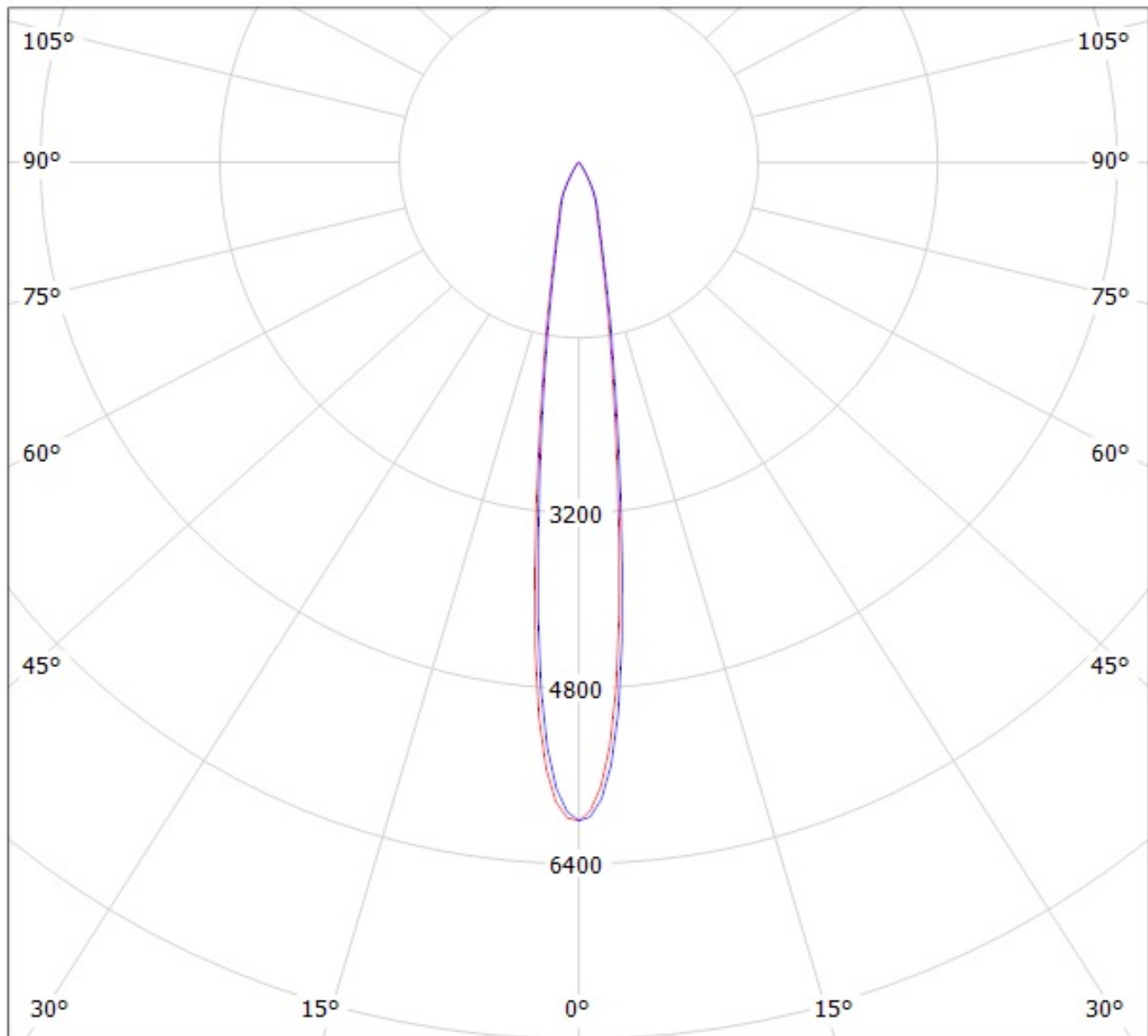
$\eta = 77\%$

— C0 - C180

— C90 - C270

Luminaire: LEDiL Oy CN12296_LENA-S-DL_(Luxeon-Cob-1208) Eff: 78 %

Lamps: 1 x Luxeon CoB 1208 (LHC1-3080-1208) 1065lm@250mA CCT=3000K P=8.3W I=250mA

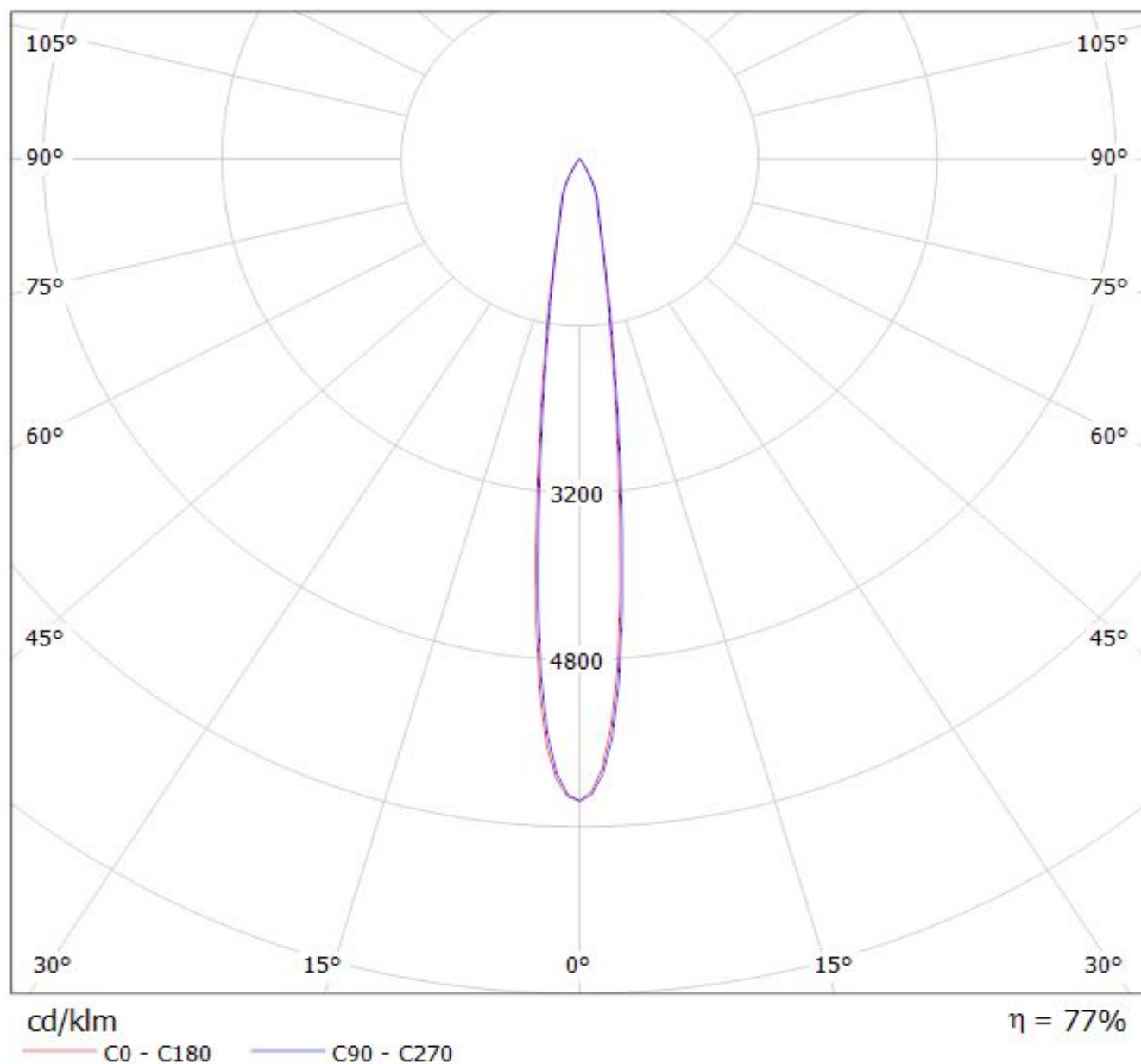


cd/klm

— C0 - C180

— C90 - C270

Luminaire: LEDiL Oy CN12296_LENA-S-DL_(Megazenigata_GW6D) Eff.76.9%
Lamps: 1 x SHARP_Megazenigata_(GW6DMC40NFC)_1085.92lm@250mA_P=8.49295W_I=249.8mA



NOTE: The typical divergence will be changed by different color, chip size and chip position tolerance. The typical total divergence is the full angle measured where the luminous intensity is half of the peak value.

GENERAL INFORMATION

- Product series especially designed & optimized for series of LEDs.
- Special care taken to make light distribution as uniform as possible.

Note! Due to use of high power COB's with this product, special attention to proper thermal design is highly recommended. LEDiL has no liability for direct, indirect or consecutive damages arising from the LEDiL products being used outside of the recommended temperature range.