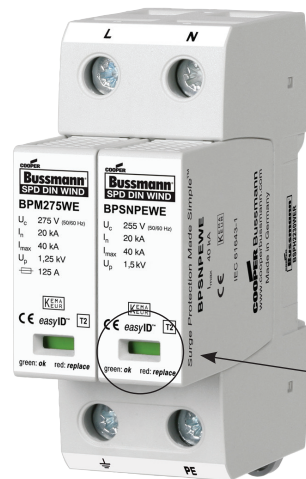


Two-pole IEC Class II surge arresters for 230V TN and TT wind power systems



Remote contact signaling available

easyID™ local visual status indication

Catalog symbol:

- BSPH2230WE
- BSPH2230WER
- BSPM2230WE
- BSPM2230WER

Description:

Eaton's Bussmann™ series two-pole IEC Class II modular surge arresters feature local, *easyID™* visual indication and optional remote contact signaling. The unique module locking system fixes the protection module to the base. Modules can be easily replaced without tools by simply depressing the release buttons. Integrated mechanical coding between the base and protection module ensures against installing an incorrect replacement module.

TN system arrester

The features of this two-pole device are for use as a single device.

TT system arrester

For use as a single device in a 1-phase TT system.

Optional remote contact signaling

The three-pole terminal remote contact signaling option has a floating changeover contact for use as a break or make contact, according to circuit concept.

Specifications:

System volts

- 230Vac

System types

- TN
- TT

Agency information

- CE
- KEMA
- RoHS compliant

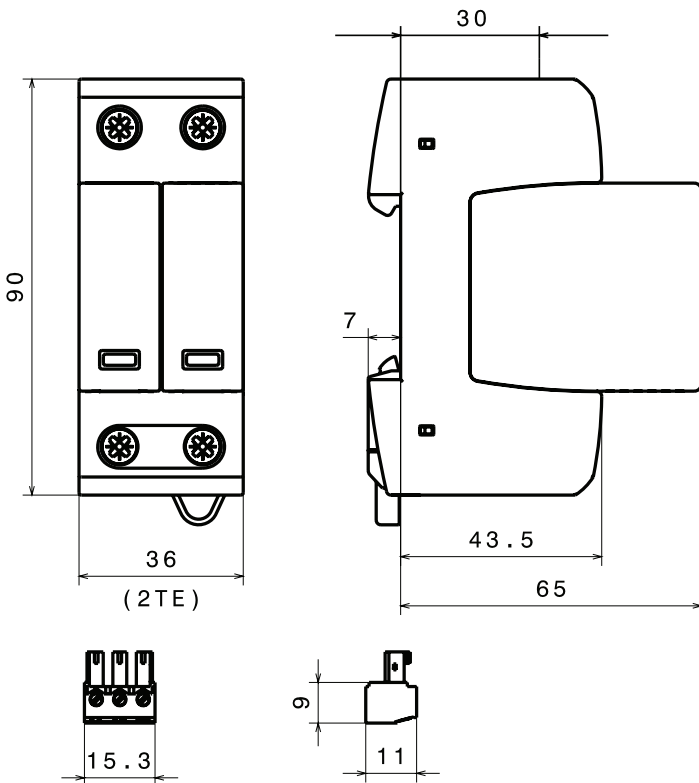
Mounting

- 35mm DIN-Rail

Warranty

- Five years

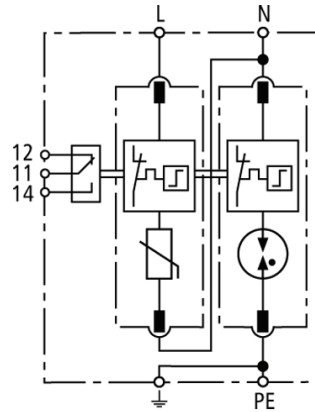
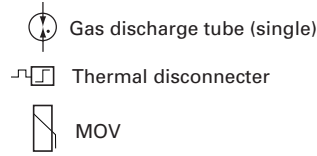
Dimensions - mm:



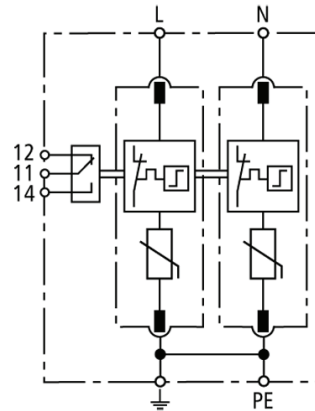
Shown with optional remote contact signaling.

Module circuit diagrams:

Shown with optional remote contact signaling.



BSPH2230WE(R)



BSPM2230WE(R)

Recommended Bussmann series NH DIN back up fuses

Size	Fuse catalog number
00	125NHG00B

Ordering information:

System voltage (50-60Hz) / poles		230V / 2	230V / 2
Max. Continuous Operating Voltage (MCOV) [U _c] AC (50-60Hz)		275V	275 / 255V
Catalog numbers (base + modules)	W/O remote signaling	BSPM2230WE	BSPH2230WE
	W/ remote signaling	BSPM2230WER	BSPH2230WER
Replacement modules	MOV technology	BPM275WE	BPM275WE
	Spark gap technology	—	BPSNPEWE*

Specifications			
Line system type		TN	TT
Max. Continuous Operating AC Voltage	[L-N] [U _c]	—	275V
	[N-PE] [U _c]	—	255V
Nominal discharge current (8/20μs) [I _n]		20kA	20kA
Max. discharge current (8/20μs) [I _{max}]		40kA	40kA
Lightning impulse current (10/350μs) [N-PE] [I _{imp}]		—	12kA
Voltage protection level	[U _p]	≤ 1.25kV	—
	at 5kA [U _p]	≤ 1kV	—
	[L-N] [U _p]	—	≤ 1.25kV
	[L-N] at 5kA [U _p]	—	≤ 1kV
	[N-PE] [U _p]	—	≤ 1.5kV
	Follow current extinguishing capability [N-PE] [I _q]	—	100A _{rms}
Response time	[t _A]	≤ 25 ns	—
	[L-N] [t _A]	—	≤ 25 ns
	[N-PE] [t _A]	—	≤ 100 ns
Max. mains-side overcurrent protection		125A gG	125A gG
Short-circuit withstand capability for max. mains-side overcurrent protection (I _{SCCR})		50kA _{rms}	50kA _{rms}
Temporary Overvoltage (TOV)	[U _T]	Withstand	335 V / 5 sec.
		Safe failure	—
	[L-N] [U _T]	Withstand	—
		Safe failure	—
	[N-PE] [U _T]	Withstand	—
		Safe failure	—
SPD according to		EN 61643-11 Type 2, IEC 61643-11 Class II	
Operating environment [T _U]		-40°C to +80°C, 5% to 95% RH	
Operating state / fault indication		Green (good) / Red (replace)	
Number of ports		1	
Cross-sectional area	Min.	1.5mm ² / 14AWG solid / flexible	
	Max.	35mm ² / 2AWG stranded — 25mm ² / 4AWG flexible	
Mounting		35mm DIN-Rail per EN 60715	
Enclosure material		Thermoplastic, UL 94V0	
Location category		Indoor	
Degree of protection		IP20 (built-in)	
Capacity (DIN 43880)		2 Mods.	
Agency information		KEMA	
Product warranty		Five years**	

Remote contact signaling			
Remote contact signaling type		Changeover contact	
Switching capacity (volts / amps)	AC	250V / 0.5A	
	DC	250V / 0.1A; 125V / 0.2A; 75V / 0.5A	
Conductor ratings and cross-sectional area		60/75°C Max. 1.5mm ² / 14AWG solid / flexible	
Ordering information		Order from catalog numbers above	

* N-PE surge arrester for location between neutral conductor and protective conductor in TT systems.

** See Eaton Bussmann series SPD limited warranty statement (3A1502) for details at www.cooperbussmann.com/surge.

The only controlled copy of this data sheet is the electronic read-only version located on the Eaton network drive. All other copies of this document are by definition uncontrolled. This bulletin is intended to clearly present comprehensive product data and provide technical information that will help the end user with design applications. Eaton reserves the right, without notice, to change design or construction of any products and to discontinue or limit distribution of any products. Eaton also reserves the right to change or update, without notice, any technical information contained in this bulletin. Once a product has been selected, it should be tested by the user in all possible applications.

Eaton
1000 Eaton Boulevard
Cleveland, OH 44122
Eaton.com

Bussmann Division
114 Old State Road
Ellisville, MO 63021
United States
Eaton.com/bussmannseries

© 2015 Eaton
All Rights Reserved
Printed in USA
Publication No. 2093 — MC-SB15XXX
December 2015

Eaton and Bussmann are valuable trademarks of Eaton in the U.S. and other countries. You are not permitted to use the Eaton trademarks without prior written consent of Eaton.

For Eaton's Bussmann series
product information,
call **1-855-287-7626** or visit:
Eaton.com/bussmannseries

Follow us on social media to get the
latest product and support information.

