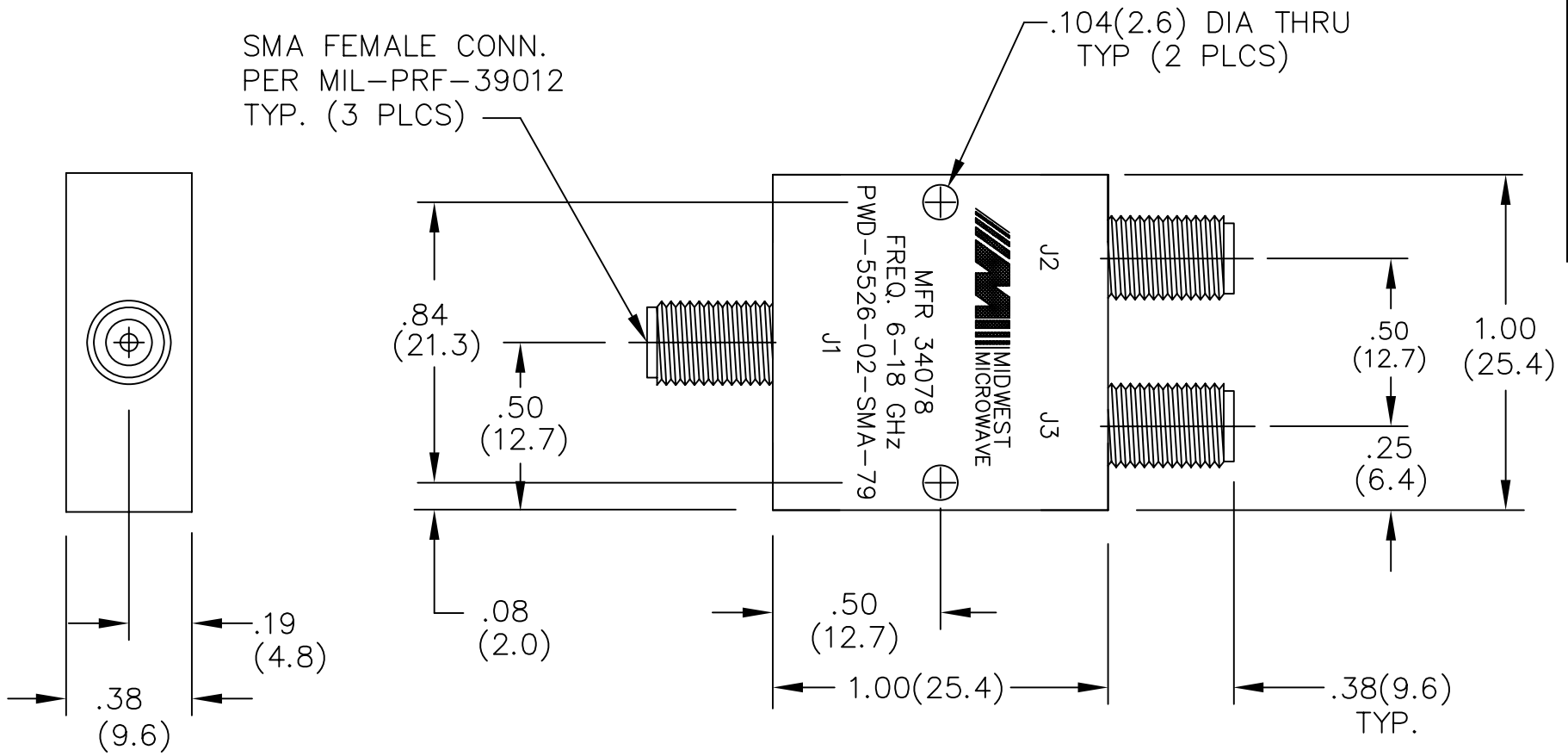


- NOTES:
- 1.0 ELECTRICAL SPECIFICATIONS:
 - 1.1 FREQUENCY RANGE: 6.0 to 18.0 GHz
 - 1.2 INSERTION LOSS:
($0.24 + 0.02 \cdot f$ [GHz])dB MAX,
(0.36dB AT 6 GHz, 0.60dB AT 18 GHz)
(WHEN REFERENCED TO 3.0dB
NOMINAL POWER DIVISION LOSS)
 - 1.3 ISOLATION: 18dB MIN.
 - 1.4 VSWR: 1.50:1 MAX.
 - 1.5 OUTPUT UNBALANCE:
 - 1.5.1 AMPLITUDE: 0.3dB MAX.
 - 1.5.2 PHASE: 5° MAX.
 - 1.6 MAX. INPUT POWER: 3.0 WATTS, WITH ALL
OUTPUTS TERMINATED BY LOADS WITH
VSWR < 2.0:1
 - 1.7 STORAGE TEMP. RANGE: -65°C to +125°C
 - 1.8 OPERATING TEMP. RANGE: -54°C to +125°C
 - 2.0 WEIGHT: 27 GRAMS (1.0 Oz.)
 - 3.0 FINISHING:
 - 3.1 GREY OVER MIL-E-15090 TYPE II, CLASS 2
OVER MIL-C-5541 CLASS 3A
MEETS MIL-F-14072
MEETS MIL-E-5400
 - 3.2 MARKING: MARK UNIT AS SHOWN
USING BLUE INK
(REF.: SLK-09421-82-03)
 - 4.0 DIMENSIONS IN PARENTHESIS ARE
IN MILLIMETERS.



DATE	4/21/92	9/20/02	6/16/04
DESCRIPTION	RELEASED	ECN 18740	ECN 18891
REV.	-	A	B

UNLESS OTHERWISE NOTED DIMENSIONS ARE IN INCHES AND TOLERANCES ARE: 3 PLACE DECIMALS ±.005 2 PLACE DECIMALS ±.02 FRACTIONS ±1/64 PARALLELITY: T.I.R. _____ FLATNESS: T.I.R. _____ CONCENTRICITY: T.I.R. _____ ANGLES AND PERPENDICULARITY: ±1°	FSCM NO. 34078	MIDWEST MICROWAVE	
	NOTICE: The information contained in this drawing is proprietary and must not be used without the permission of Midwest Microwave	TITLE POWER DIVIDER	
DRAWN/DATE A.BEATTY 4/7/92	ENG./DATE P.GOODMAN 4/17/92	DRAWING NUMBER PWD-5526-02-SMA-79	
CHECKED/DATE A.OSGA 4/7/92	APPROVED/DATE	SCALE: 2=1	SHEET 1 of 1