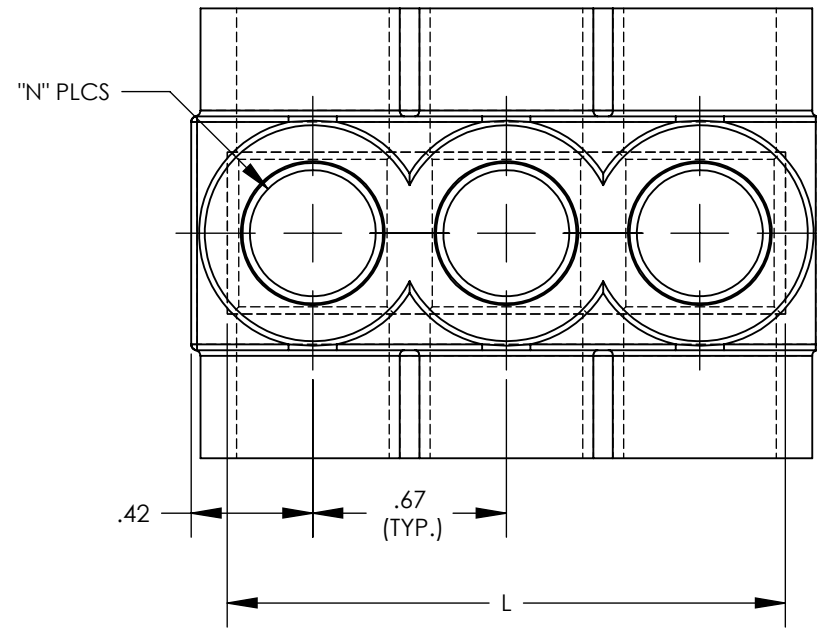
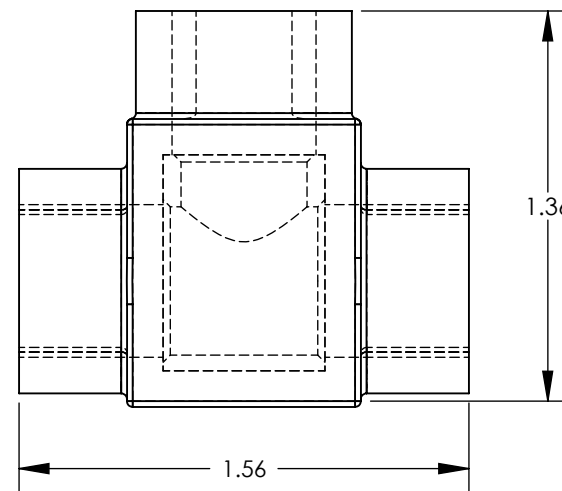
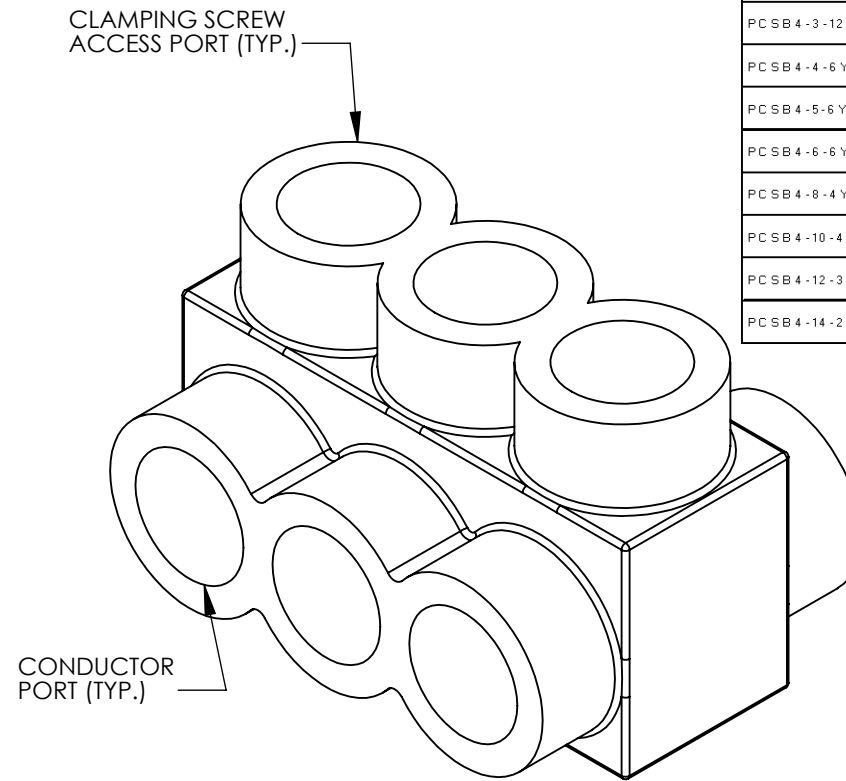
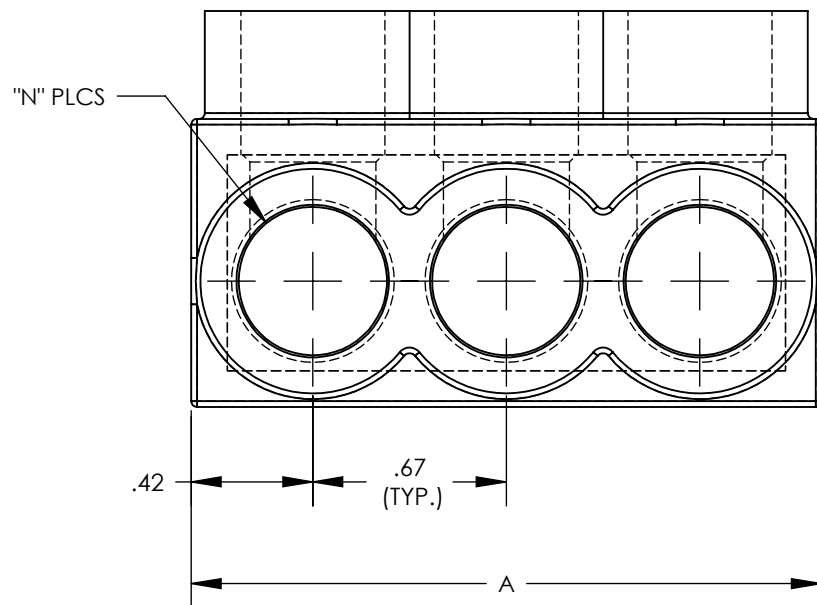


THIS COPY IS PROVIDED ON A RESTRICTED BASIS AND IS NOT TO BE USED IN ANY WAY DETRIMENTAL TO THE INTERESTS OF PANDUIT CORP.



THREE PORT CONNECTOR BLOCK SHOWN WITH PLASTIC CLOSURE PLUGS REMOVED. SEE TABLE FOR DIMENSIONS OF PARTS WITH ADDITIONAL PORTS



PANDUIT FINISHED GOODS P/N	CONDUCTOR RANGE	HEX KEY	SCREW QTY.	CAP (SCREW PORT) QTY.	CAP (WIRE PORT) QTY.	A	L	N	TIGHTENING TORQUE
PCSB4-2-12Y	# 4 - # 14 STR # 10 - # 14 SOL	1/8	2	2	4	1.23	0.982	2	50 in/lbs
PCSB4-3-12Y		1/8	3	3	6	1.76	1.512	3	
PCSB4-4-6Y		1/8	4	4	8	2.29	2.042	4	
PCSB4-5-6Y		1/8	5	5	10	2.82	2.572	5	
PCSB4-6-6Y		1/8	6	6	12	3.35	3.102	6	
PCSB4-8-4Y	# 4 - # 14 STR # 10 - # 14 SOL	1/8	8	8	16	4.41	4.162	8	
PCSB4-10-4Y		1/8	10	10	20	5.47	5.222	10	
PCSB4-12-3Y		1/8	12	12	24	6.53	6.282	12	
PCSB4-14-2Y		1/8	14	14	28	7.59	7.342	14	



NOTES:

- UL486A-UL486B LISTED, DUAL RATED CU9AL FOR ALUMINUM OR COPPER CONDUCTORS. MEETS OR EXCEEDS ANSI C119.4
- SEE TABLE FOR WIRE RANGE.
- STRIP LENGTH: .50 +.06/-0
- FOR TIGHTENING TORQUE SEE TABLE
- VOLTAGE RATING: 600 V. MAX. BUILDING WIRE, 1000 V. MAX. IN SIGNS & FIXTURES.
- TEMPERATURE RATING: 90 °C (CU9AL).
- CONNECTOR BLOCK BODY ARE MADE FROM ALUMINUM. CONDUCTOR PORTS IN CONNECTOR BLOCK ARE PREFILLED WITH AN OXIDE-INHIBITING COMPOUND.
- CONNECTOR TO INCLUDE TIN PLATED ALUMINUM CLAMPING SCREWS FOR EACH CONDUCTOR PORT.
- INSULATION MATERIAL IS CLEAR PVC.
- CLAMPING SCREW ACCESS PORTS AND ALL WIRE ENTRY PORTS ARE PROVIDED WITH REMOVABLE PLASTIC CLOSURE PLUGS.
- ALL DIMENSIONS SHOWN ARE NOMINAL.
- ONLY ONE CONDUCTOR PER PORT ALLOWED.
- PACKAGE QTY: -12 = 12 PCS.
-6 = 6 PCS.
-4 = 4 PCS.
- THIS PART IS RoHS COMPLIANT

REV	DATE	BY	CHK	APR	DESCRIPTION	ECN
00	2/13	JHNU	JHNU	RGB	REVISED TITLE BLOCK	N41573BB-C41573

TITLE MULTI-TAP INSULATED CONNECTORS PCSB4 SERIES CUSTOMER DRAWING		
ITEM REVISION NAME	N41573BB-C41573/05	
DATASET FILE NAME	C41573/05.SLDDRW	MATERIAL SEE NOTES
UNLESS OTHERWISE SPECIFIED, DIMENSIONAL TOLERANCES ARE: IN [mm] .X ± .XXX ± .XX ± .02 ANGLES ±		
DRAWN BY	MS	
DATE	8/99	DRAWING NUMBER C41573_05
CHK	RLS	
SCALE	NONE	SHEET 1 OF 1
THIRD ANGLE PROJECTION		SIZE B