

5

4

3

2

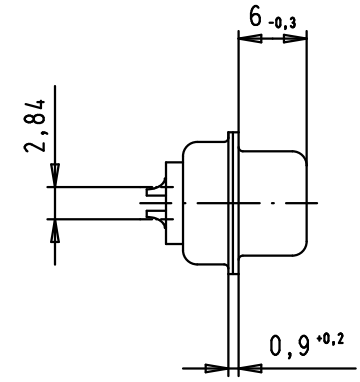
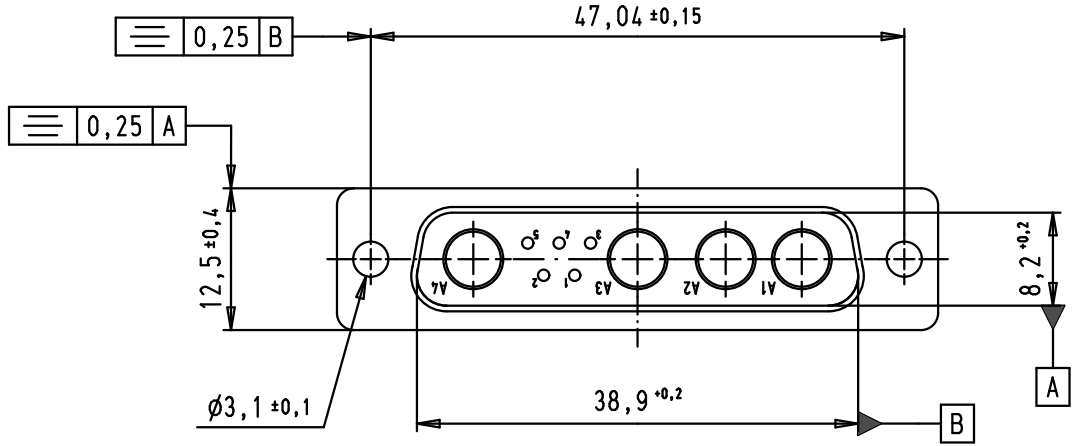
1

D

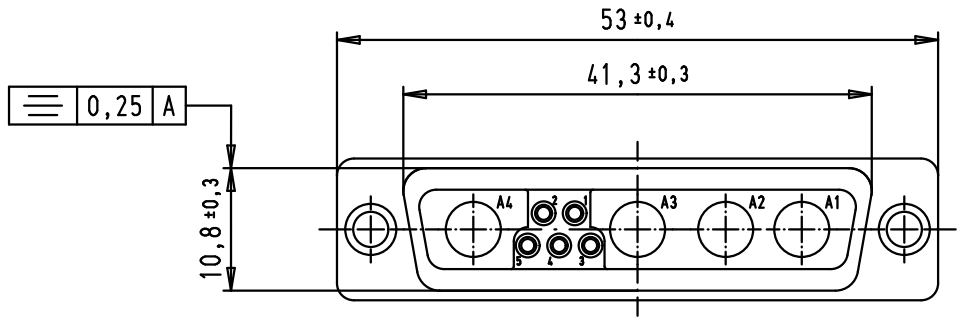
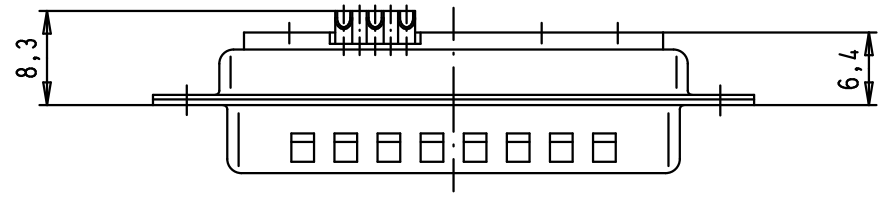
C

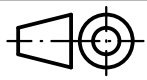

B

A



Solder bucket termination for AWG 20



						Dat.		Name		 All Dim. in mm Orig. Size DIN A 4	D-Sub, 9W4, male, straight, solder buckets, tin plated shell with dimples	Maßstab/ Scale 1,5:1
						Detail.	21/09/07		PK			
						Insp.			Stand.			
09 69 311 7094.500	PL3	Non magnetic										
09 69 311 7094	PL3	Magnetic										
09 69 311 5094.500	S4	Non magnetic										
09 69 311 5094	S4	Magnetic	34614	21/09/07	PK	HARTING EURL		F-95972 Paris			TB 09 69 311 X094	Blatt/ Page 1 / 1
Part number	Performance level	Index designation	Mod.	Dat.	Name	Sub.						