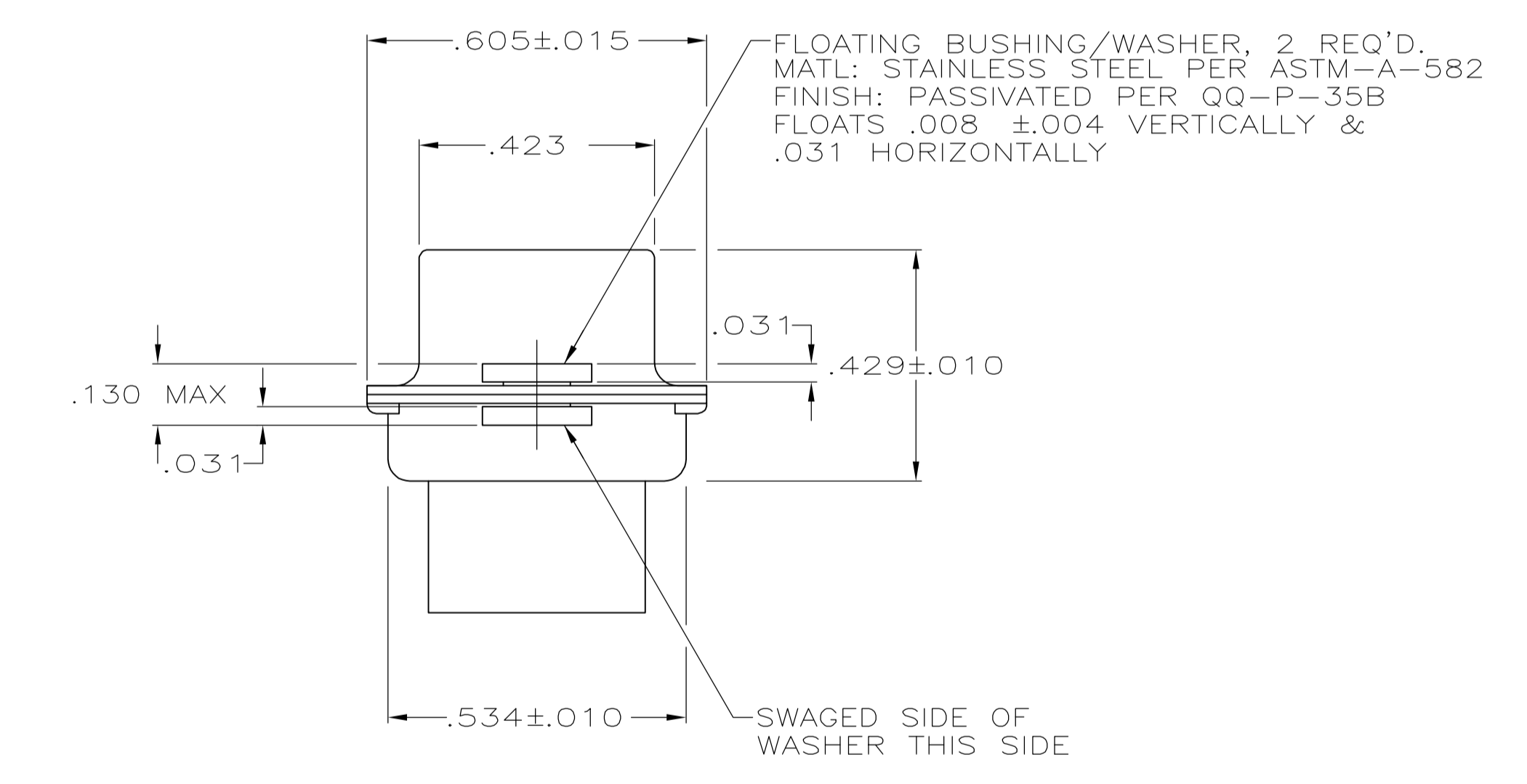
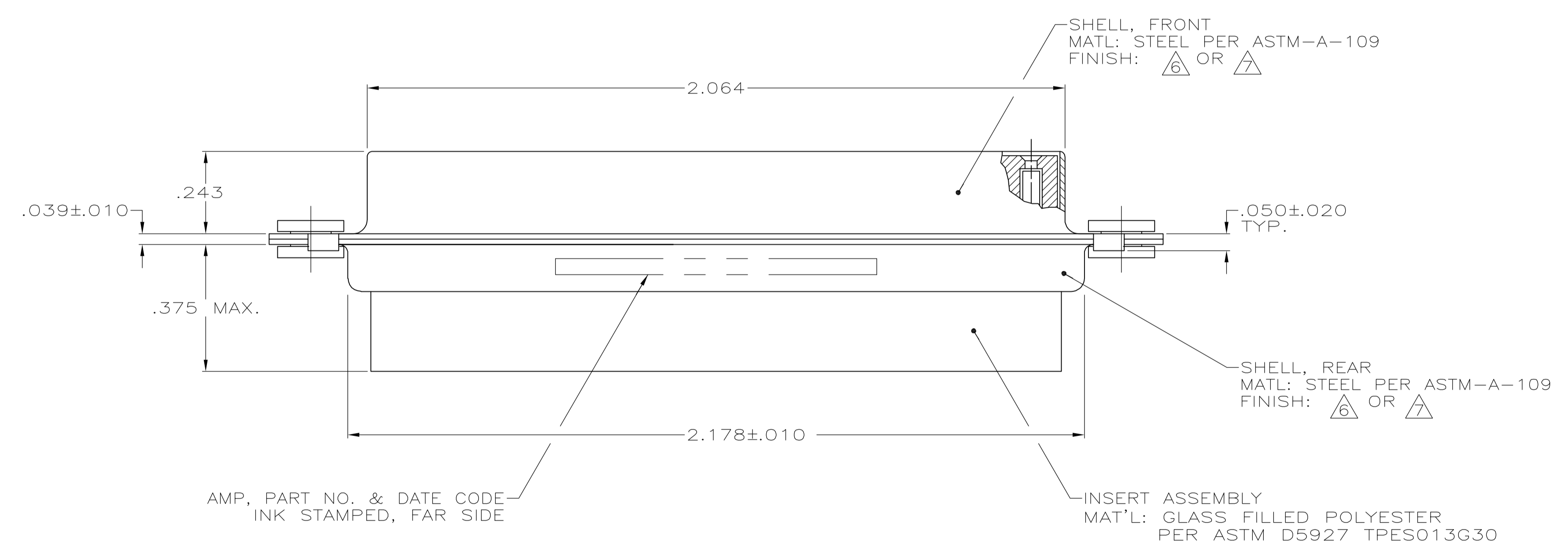


1. THIS RECEPTACLE WILL MATE WITH ANY 36C4, SIZE 5 PLUG IN AMPLIMITE SERIES.
  2. MAXIMUM WIRE INSULATION TO BE USED WITH THIS PLUG IS .068 DIA.
  3. STAINLESS STEEL RETENTION CLIPS ARE INCLUDED IN INSERT ASSEMBLY.
  4. CONNECTOR SUPPLIED WITHOUT CONTACTS, SHOWN FOR ILLUSTRATION ONLY.
  5. THIS CONNECTOR ACCEPTS SIZE 20 SOCKET CONTACTS.
- ⚠️ FINISH: CADMIUM PLATED PER QQ-P-416.  
 ⚠️ FINISH: PLATED BRIGHT TIN PER MIL-T-10727 OR MIL-L-46064 OVER COPPER PER MIL-C-14550.



⚠️	445727-2
⚠️	445727-1
PART NO	

THIS DRAWING IS A CONTROLLED DOCUMENT.		DIN T. SHUEY 11-10-88	Tyco Electronics Corporation Harrisburg, Pa 17105-3608
DIMENSIONS: INCHES		CHK A. EMADI 11-10-88	
TOLERANCES UNLESS OTHERWISE SPECIFIED:		APVD A. EMADI 11-10-88	NAME
0 PLC ± -		PRODUCT SPEC	RECEPTACLE ASSEMBLY, AMPLIMITE, 36C4, SIZE 5, SERIES 109, COAX MIX, WITH FLOAT BUSHINGS
1 PLC ± -		APPLICATION SPEC	SIZE CAGE CODE DRAWING NO
2 PLC ± -		RESTRICTED TO	A1 00779 C=445727
3 PLC ± .005		WEIGHT	—
4 PLC ± -		CUSTOMER DRAWING	SCALE 4:1 SHEET 1 OF 1 REV C
ANGLES ± -			
FINISH SEE CALLOUTS			