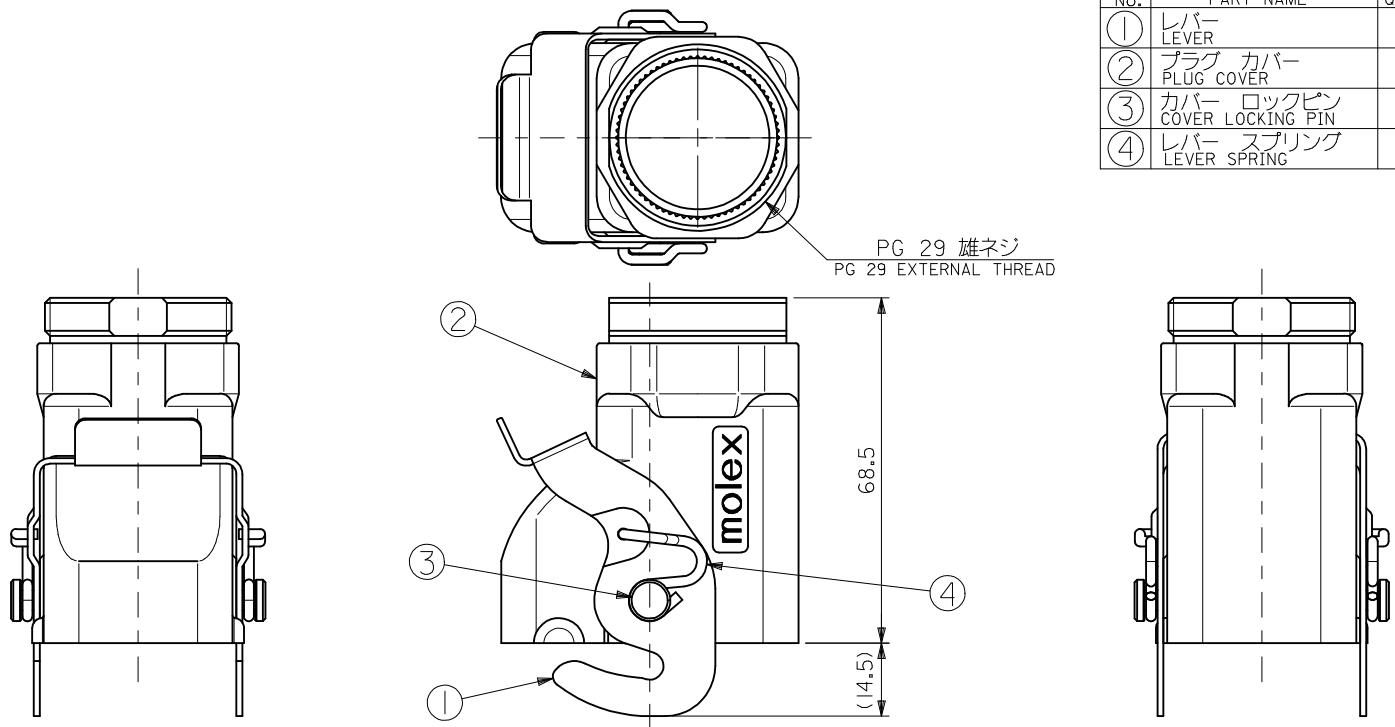
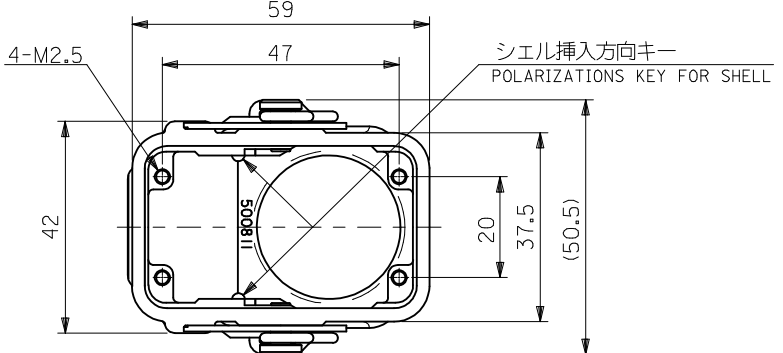


10 9 8 7 6 5 4 3 2 1

部番 No.	部品名 PART NAME	数量 QTY.	材質 MATERIAL	記事 ARTICLE
①	レバー LEVER	1	鋼 STEEL	塗装処理 PAINTING
②	プラグ カバー PLUG COVER	1	アルミニウム合金 ALUMINIUM ALLOY	—#—
③	カバー ロックピン COVER LOCKING PIN	2	ステンレス STEEL	—#—
④	レバー スプリング LEVER SPRING	2	ステンレス STEEL	—#—



- 注記:
NOTES.
- 適用プラグシェルアッセンブリ
APPLICABLE PLUG SHELL ASS'Y
1.) TYPE A : 500810-0000
2.) TYPE B : 500810-0010
 - 適用エンドベルキャップセット
APPLICABLE END BELL CAP SET
58550-****



500811-0010	500811-****
MATERIAL NO.	MODEL NO.

REVISED EC NO: J2009-0816 DRWN: YMAEDA CHKD: NUKITA APPR: NUKITA	DESCRIPTION REV: A	GENERAL TOLERANCES (UNLESS SPECIFIED)		DIMENSION STYLE MM ONLY		SCALE ---	DESIGN UNITS METRIC	THIRD ANGLE PROJECTION		
		10 UNDER	±0.2	DRAWN BY SAKIYAMA	DATE 2003/06/25	TITLE MINI ROBOT CONN. 40P STRAIGHT PLUG COVER ASS'Y				
		10 OVER 30 UNDER	±0.25	CHECKED BY JMIYAZAWA	DATE 2003/07/02	MOLEX INCORPORATED				
		30 OVER	±0.3	APPROVED BY YITO	DATE 2003/07/02	MATERIAL NO. SEE CHART DOCUMENT NO. SD-500811-001 SHEET NO. 1 OF 2				
ANGULAR ±3 °		DRAFT WHERE APPLICABLE MUST REMAIN WITHIN DIMENSIONS		THIS DRAWING CONTAINS INFORMATION THAT IS PROPRIETARY TO MOLEX INCORPORATED AND SHOULD NOT BE USED WITHOUT WRITTEN PERMISSION						

注記:
NOTES:

関連図面

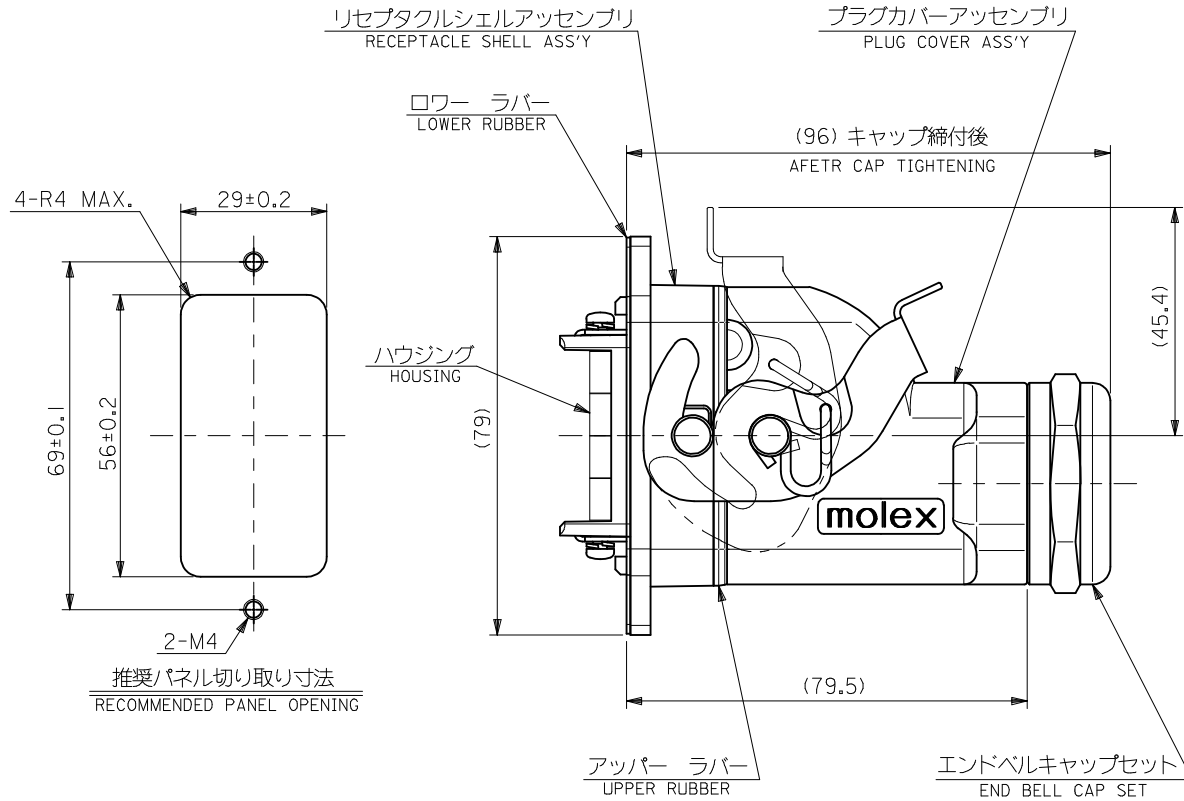
RELATION DRAWING

- ・リセプタクルシェルアッセンブリ : SD-500809-001
RECEPTACLE SHELL ASS'Y
- ・プラグシェルアッセンブリ : SD-500810-001
PLUG SHELL ASS'Y
- ・カバーアッセンブリ : SD-500811-001
PLUG COVER ASS'Y
- ・エンドベルキャップセット : SD-58550-****
END BELL CAP SET
- ・ピンハウジング : SD-500812-001
PIN HOUSING
- ・ソケットハウジング : SD-500813-001
SOCKET HOUSING
- ・ターミナル (ピン) : SD-56118/56119-001
TERMINAL (PIN)
- ・ターミナル (ソケット) : SD-56120/56121-002
TERMINAL (SOCKET)

関連規格

RELATION NORMATIVE

- VDE0110 250V 汚染度 III
過電圧カテゴリー II に適合
APPLICABLE 250V POLLUTION DEGREE III
AND OVER VOLTAGE CATEGORY II
- 保護等級 IP65
DEGREE OF PROTECTION



推奨/パネル切り取り寸法
RECOMMENDED PANEL OPENING

REVISED EC NO: J2009-0816 DRWN: YMAEDA 2008/11/05 CHKD: NUKITA 2008/12/19 APPR: NUKITA 2008/12/19	GENERAL TOLERANCES (UNLESS SPECIFIED)		DIMENSION STYLE MM ONLY	SCALE ---	DESIGN UNITS METRIC	THIRD ANGLE PROJECTION	
	10 UNDER	±0.2	DRAWN BY SAKIYAMA	DATE 2003/06/25	TITLE MINI ROBOT CONN. 40P STRAIGHT PLUG COVER ASS'Y		
	10 OVER 30 UNDER	±0.25	CHECKED BY JMIYAZAWA	DATE 2003/07/02	MOLEX INCORPORATED		
	30 OVER	±0.3	APPROVED BY YITO	DATE 2003/07/02	MATERIAL NO. SEE CHART	DOCUMENT NO. SD-500811-001	SHEET NO. 2 OF 2
	ANGULAR ±3 ° DRAFT WHERE APPLICABLE MUST REMAIN WITHIN DIMENSIONS		SIZE A3	THIS DRAWING CONTAINS INFORMATION THAT IS PROPRIETARY TO MOLEX INCORPORATED AND SHOULD NOT BE USED WITHOUT WRITTEN PERMISSION			