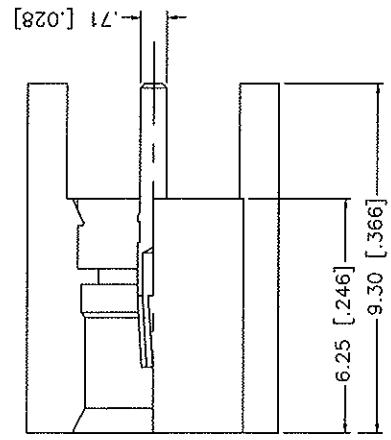
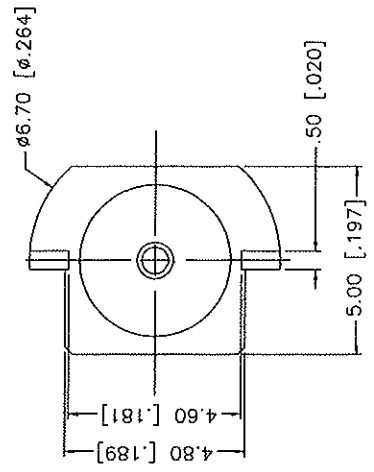
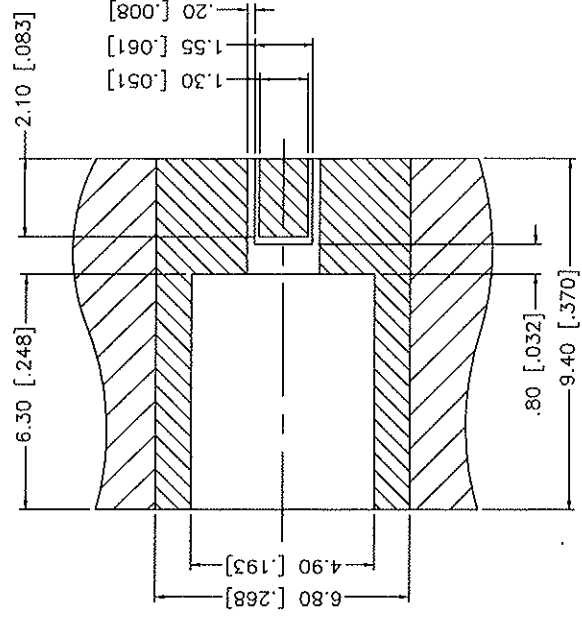


REV.	DATE	ECR NO.	DESCRIPTION
NC	08/15/04	-	INITIAL RELEASE
A	04/20/08	100007	ADD LANDING PATTERN



APPROVALS		DATE
DRN	GRS	04/20/08
CHECKED		
ISSUED		
SHEET	1 OF 1	
CAD FILE C:/252/252151-75.DWG		

DESCRIPTION	MATERIAL	FINISH	QTY
3 CONTACT PIN	8ER. COPPER	GOLD	1
2 INSULATOR	PTFE	NATURAL	1
1 BODY	BRASS	GOLD	1

UNLESS OTHERWISE SPECIFIED DIMENSIONS ARE IN MILLIMETERS DIMENSIONS IN [] ARE IN INCHES AND FOR CUSTOMER REFERENCE ONLY.	
UNLESS OTHERWISE SPECIFIED TOLERANCES FOR MILLIMETERS ARE	
0.5 - 8mm	± 0.20mm
8 - 30mm	± 0.40mm
30 - 120mm	± 0.50mm
UNLESS OTHERWISE SPECIFIED TOLERANCES FOR INCHES ARE	
.020 - .315	± 0.007"
.315 - 1.180	± 0.015"
1.180 - 4.724	± 0.020"

DO NOT SCALE DRAWING

Amphenol Connex	
PART DESCRIPTION	
MCX EDGE CARD PCB MOUNT JACK (75 ohms)	
PART NO.	252151-75
DWG. NO.	252151-75.DWG
REV.	A
SIZE	A
SCALE	NA