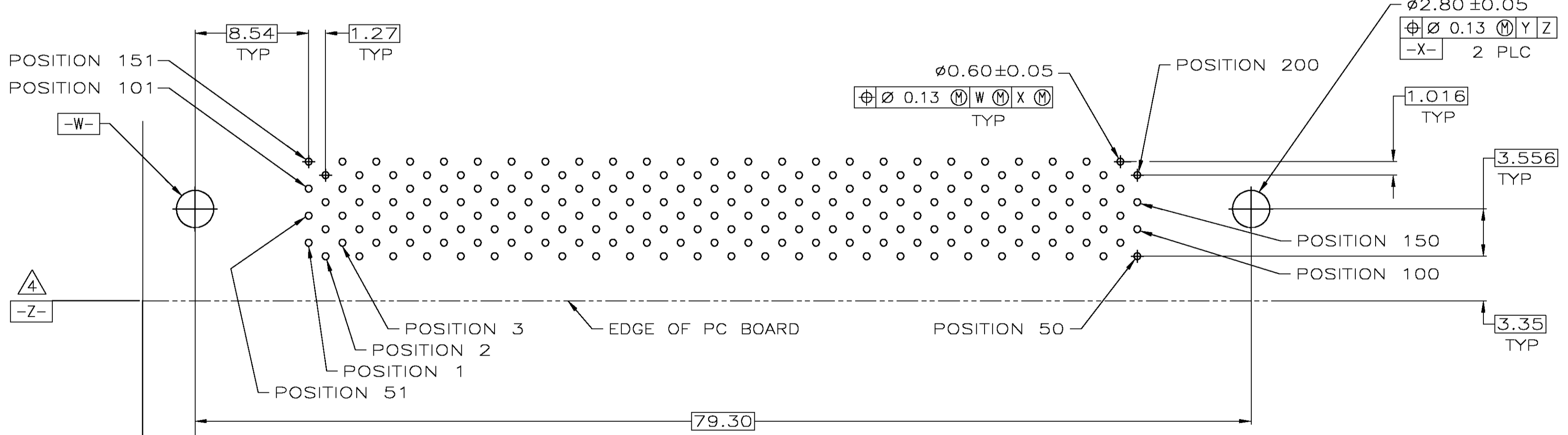
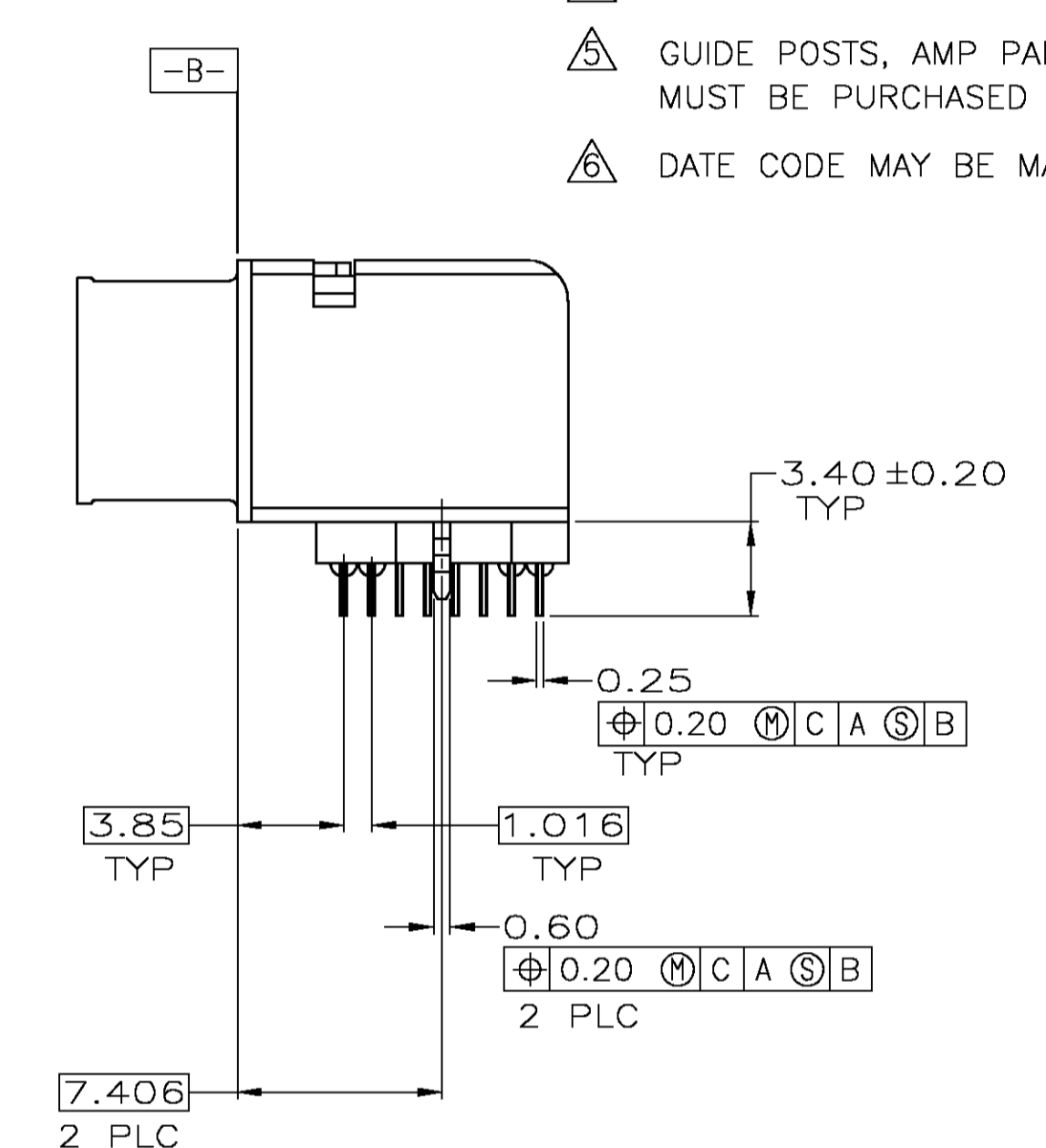
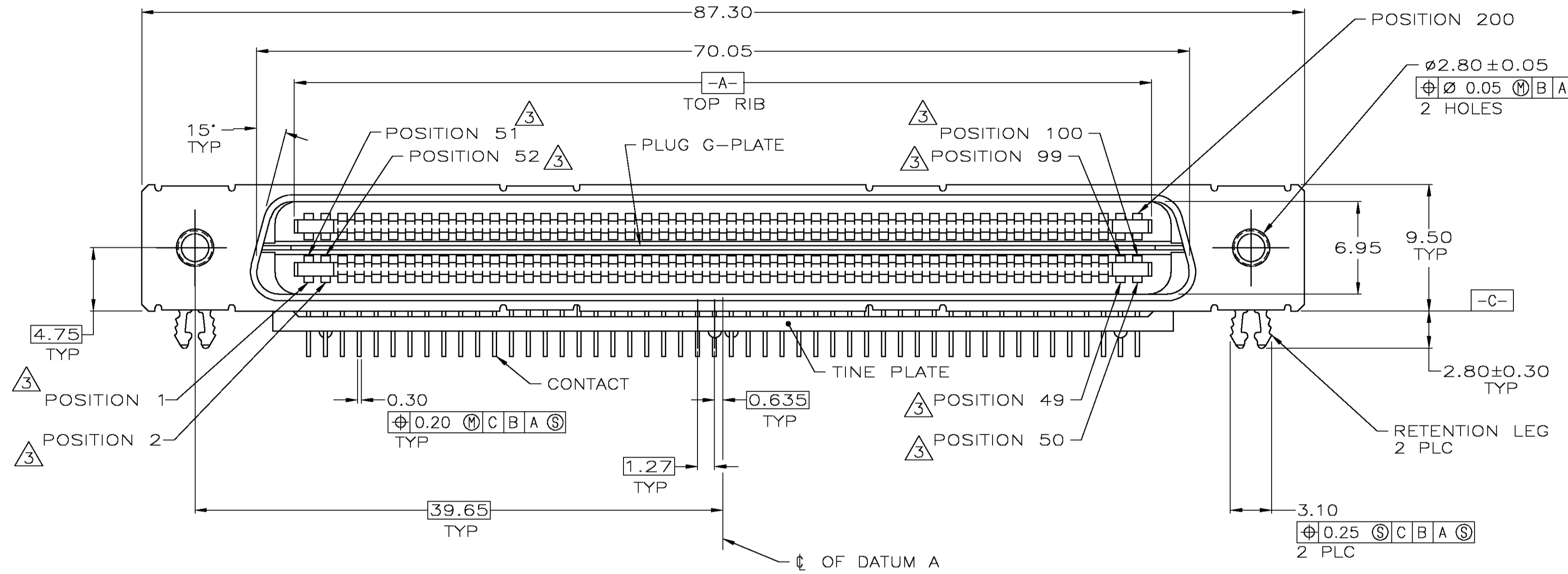
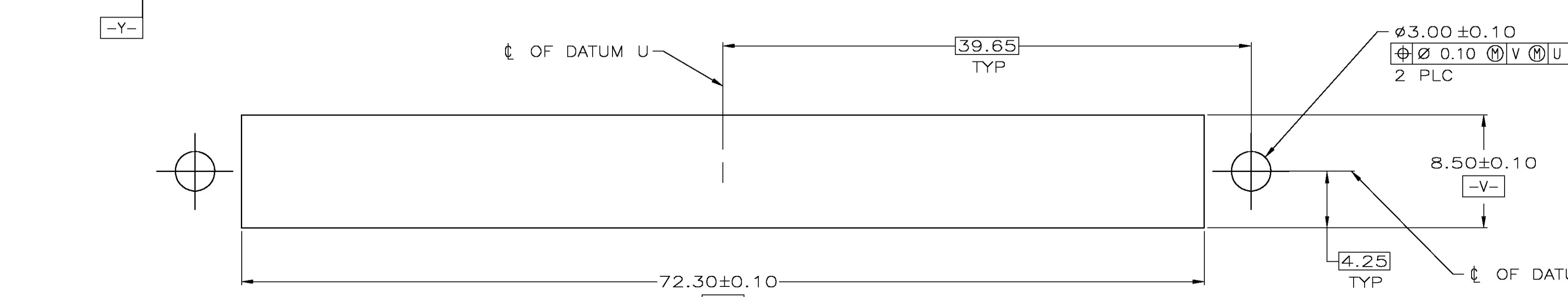


- △ HOUSING AND TINE PLATE: POLYESTER, NATURAL.  
CONTACTS: COPPER ALLOY.  
SHELL: CARBON STEEL.  
RETENTION LEG: BRASS.  
PLUG G-PLATE: STAINLESS STEEL.
- △ SHELL: 3.00µm MIN NICKEL OVER 1.30µm MIN COPPER.  
RETENTION LEG: 2.00µm MIN TIN OVER 1.00µm MIN NICKEL.  
CONTACTS: 0.76µm MIN GOLD FOR A LENGTH OF 3.00 MIN FROM MATING END,  
2.54µm MIN TIN FOR A LENGTH OF 2.80 MIN FROM OPPOSITE END,  
BOTH OVER 1.27µm MIN NICKEL.
- △ CONTACTS 1,2,49,50,51,52,99 AND 100, ARE SEQUENCED TOWARDS MATING FACE.
- △ DATUMS AND BASIC DIMENSIONS ESTABLISHED BY CUSTOMER.
- △ GUIDE POSTS, AMP PART NUMBER 177734-1, FOR PANEL MOUNTING MUST BE PURCHASED SEPARATELY.
- △ DATE CODE MAY BE MARKED ON EITHER END.



RECOMMENDED PC BOARD MOUNTING DIMENSIONS  
COMPONENT SIDE



RECOMMENDED PANEL CUTOUT  
PANEL THICKNESS 0.55-1.20 MAX

**COPYRIGHT 2005  
TYCO ELECTRONICS CORP  
ALL RIGHTS RESERVED**

5787885-1  
PART NUMBER

|  |            |                              |              |   |                    |
|--|------------|------------------------------|--------------|---|--------------------|
| THIS DRAWING IS A CONTROLLED DOCUMENT. |            | DNW<br>G. ATTADIA - 12-07-04 |              | Tyco Electronics Corporation<br>Harrisburg, PA 17105-3608 |                    |
| DIMENSIONS: mm                         |            | CHK<br>C. ROHDFE 12-07-04    |              | NAME<br>PLUG ASSEMBLY, RIGHT ANGLE .050 CHAMP             |                    |
| TOLERANCES UNLESS OTHERWISE SPECIFIED: |            | APVD<br>W. WALMSLEY 12-07-04 | PRODUCT SPEC |   | RESTRICTED TO      |
| 0 PLC ± -                              | 1 PLC ± -  | APPLICATION SPEC             |              | SIZE<br>A1  | CAGE CODE<br>00779 |
| 2 PLC ± 0.25                           | 3 PLC ± -  | WEIGHT                       |              | DRAWING NO<br>5787885                                     | REV<br>0           |
| 4 PLC ± -                              | ANGLES ± ± | CUSTOMER DRAWING             |              | SCALE<br>4:1  | SHEET<br>1 OF 1    |