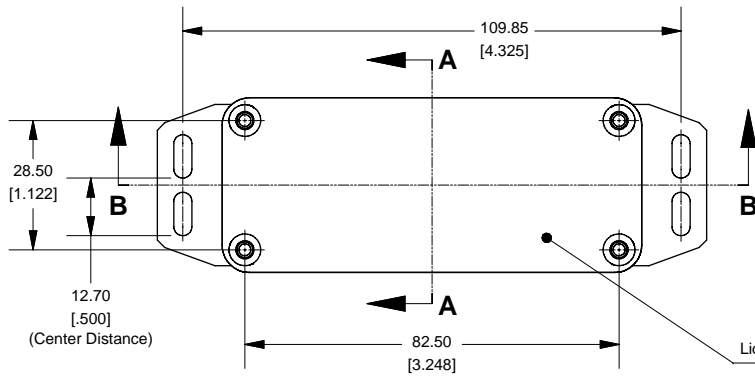
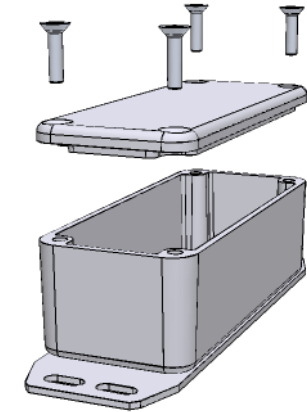
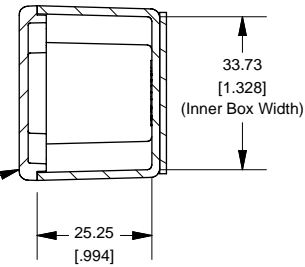


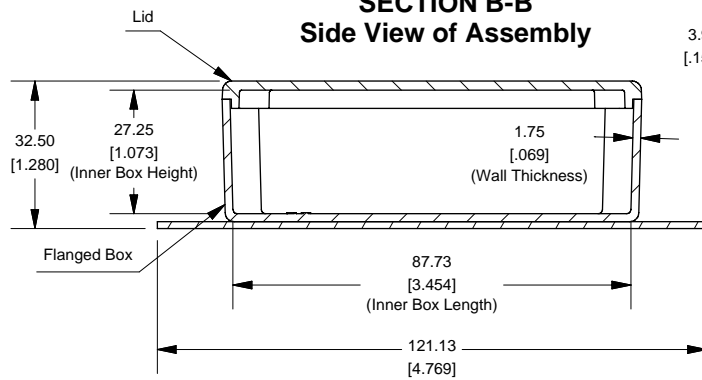
Top View of Assembly



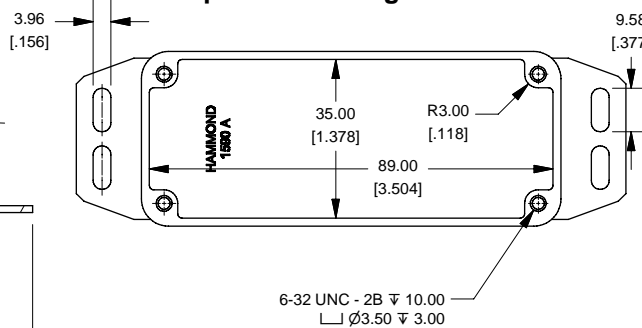
SECTION A-A End View of Assembly



SECTION B-B Side View of Assembly

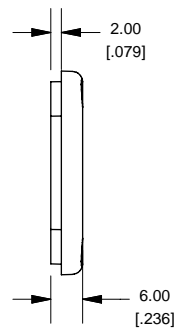
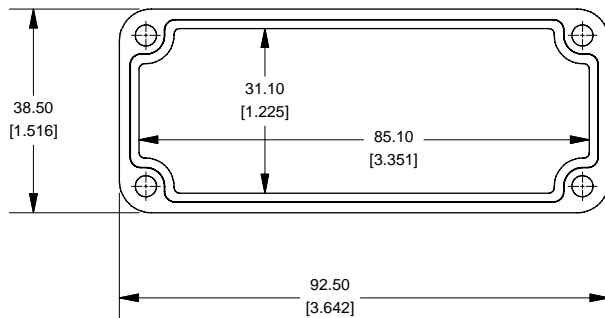


Top View Looking Inside Box



Enclosures can be Factory Modified (Milling, Drilling, Printing etc.)
 Contact Factory mjm@hammondmfg.com for quotes
 Solid models of this enclosure available in STEP or IGES.

Lid



NOTE

Purchased assembly includes box, lid and 4 cover screws.
 Box and lid are made from Diecast Aluminum Alloy (alloy type 380).
 Silicone Gasket Loctite #5950
 Bottom Flange is Welded

PART NUMBERS

1590AF Enclosure	
Unfinished	1590AF
Grey Textured Polyester Powder Paint - RAL 7038	1590AFGY
Black Textured Polyester Powder Paint - RAL 9011	1590AFBK
1590AF Liquid Resistant Enclosure (Silicon Factory Installed Gasket)	
Unfinished	1590WAF
Black Textured Powder Paint	1590WAFBK
ACCESSORIES	
Recommended Torque: 75 ozf.in / 55 cN.m	
Black Textured Cover Screws (Pkg 50) [6-32 x 1/2" SS Type 304]	1590WMS100BK
Unfinished Cover Screws (Pkg 100) [6-32 x 1/2" Nickel Plated Screws]	1590WMS100
Standard Cover Screws	
Unfinished Cover Screws (Pkg 100) [6-32 x 1/2" Nickel Plated Screws]	1590MS100
Black Textured Cover Screws (Pkg 50) [6-32 x 1/2" SS Type 304]	1590MS100BK



**HAMMOND
MANUFACTURING™**

1590AF

www.hammondmfg.com