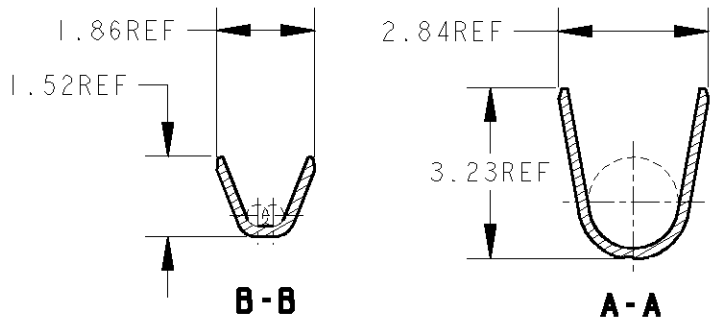
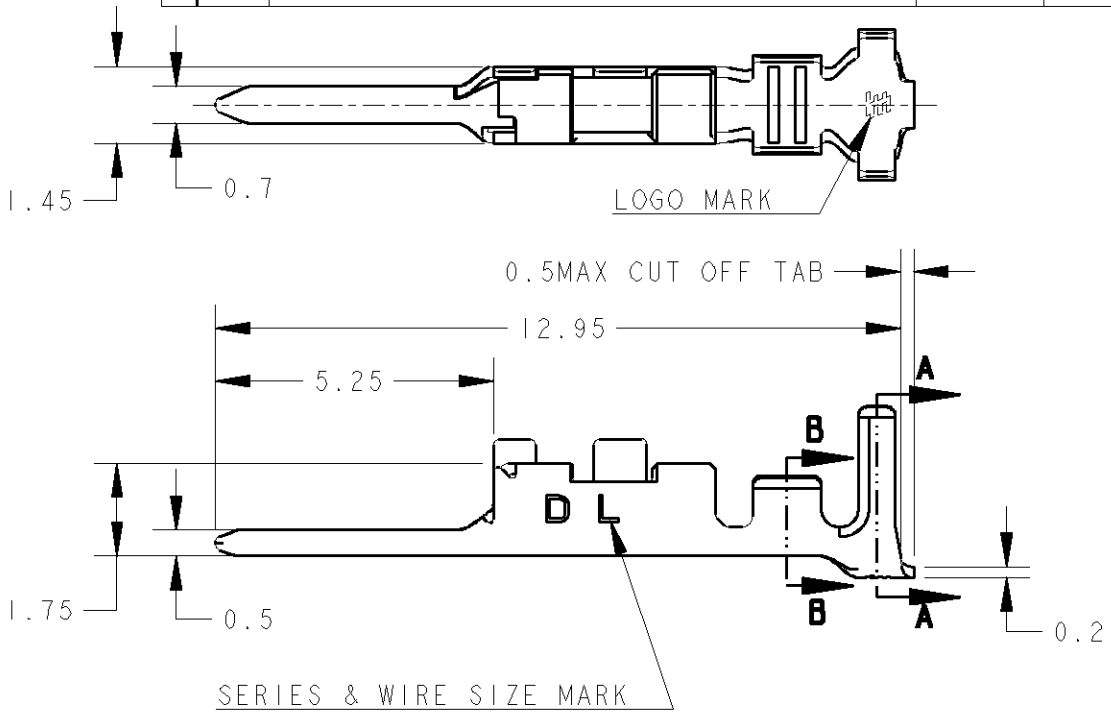


LOC	DIST	REVISIONS					
J	-	P	LTR	DESCRIPTION	DATE	DWN	APVD
		B		REVISED PER ECR-10-010439	08JUN2010	HMR	T.M



1. APPLICATION TAB-HSG IS APPLIED TO THE PRODUCT OF 2.5mm PITCH OR MORE OF DYNAMIC D1000 SERIES. 2.0mm PITCH CANNOT BE USED.
2. THE SHAPE, SIZE AND POSITION OF THE CHARACTER SHOW THE OUTLINE. THEY DON'T SHOW DETAILS.

1. DYNAMIC D1000シリーズの2.5mmピッチ以上のTAB-HSG製品に適用。
2. 0mmピッチの製品には使用不可。
2. 文字の形状、大きさ、および位置については、大略を示すものであり、詳細を示すものではありません。

AS SHOWN: 1903125-1

PRE-TIN COPPER ALLOY (錫めっき済銅合金)	1903125-1
MATERIAL (材料)	PART NO (型番)

WIRE RANGE 総合電線断面積 mm ²	AWG#28~#22 0.08~0.38	INSULATION DIA 被覆外径 φ1.08~φ1.9
--	-------------------------	--------------------------------------

DIMENSIONS: 単位: 耗 mm	DWN M. MAEBASHI 26APR2006
TOLERANCES UNLESS OTHERWISE SPECIFIED: 一般公差 ±0.3, ±3°	CHK T. KUDO 26APR2006
0 PLC ±	APVD D. MITSUGI 26APR2006
1 PLC ±	PRODUCT SPEC 製品規格 108-78298
2 PLC ±	APPLICATION SPEC 取付適用規格 114-5377
3 PLC ±	WEIGHT 0.076 g
4 PLC ±	CUSTOMER DRAWING
ANGLES ±	

Tyco Electronics Tyco Electronics Corporation
Kawasaki, Japan

NAME 名称	DYNAMIC D1000 SERIES TAB CONTACT TIN-PLATE L-TYPE L/P		
SIZE	CAGE CODE	DRAWING NO 番号	RESTRICTED TO
A4	00779	C-1903125	

SCALE 尺度	7:1	SHEET 頁	1	OF 部	1	REV 版	B
-------------	-----	------------	---	---------	---	----------	---

2006
RELEASED FOR PUBLICATION
BY TYCO ELECTRONICS CORPORATION. ALL INTERNATIONAL RIGHTS RESERVED.
COPYRIGHT 2006
THIS DRAWING IS UNPUBLISHED.