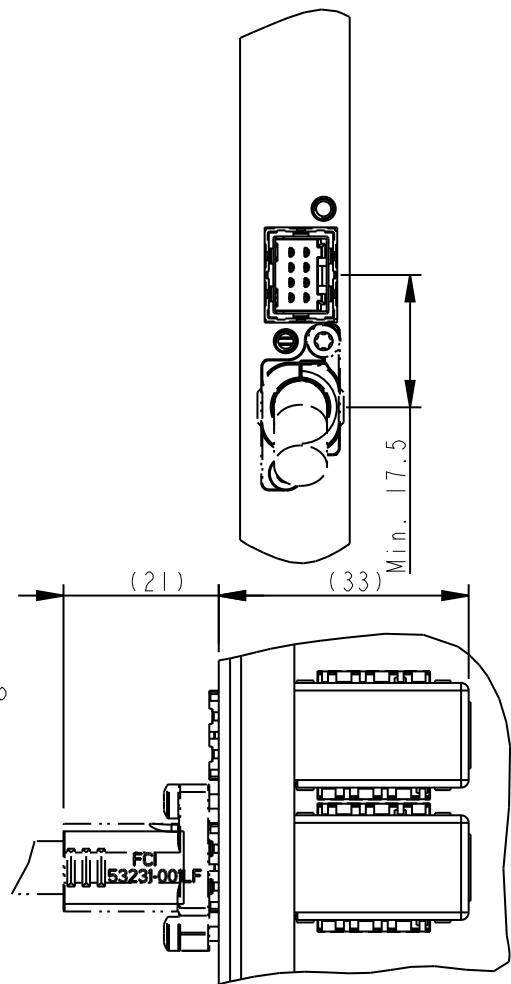
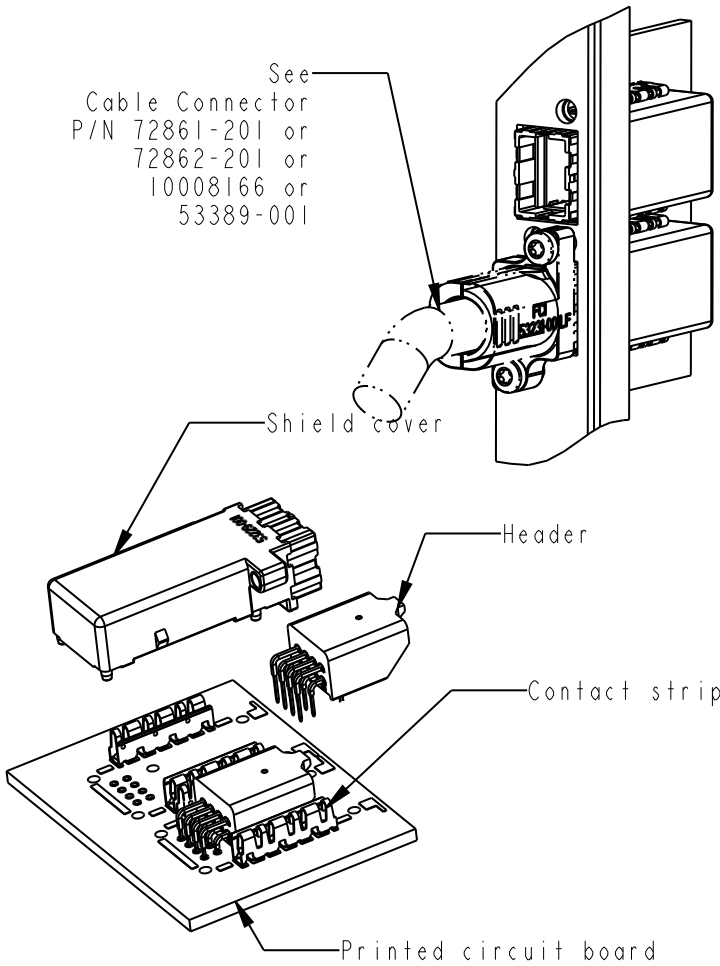


See  
Cable Connector  
P/N 72861-201 or  
72862-201 or  
10008166 or  
53389-001



PLATING IN CONTACT AREA	
DASH NUMBER	PERFORMANCE LEVEL
-1XXLF	TELCORDIA CO
-2XXLF	TELCORDIA CO

PRODUCT SPECIFICATION:GS-12-307  
PACKAGING SPECIFICATION:EUR-14-010  
APPLICATION SPECIFICATION:GS-20-049  
MATERIAL:

- 1.HEADER HOUSING:.....LIQUID CRYSTAL POLYMER 30% GLASS  
FLAME RETARDANT ACC. UL 94-V0
- 2.COVER.....ZINC ALLOY
- 3.TERMINAL.....TINBRONZE
- 4.GROUND SPRING..... STAINLESS STEEL
- 5.CONTACT STRIP.....STAINLESS STEEL

NOTE

6.PCB THICKNESS: 1.4 - 2.4 mm

rev	ecn no	dr	date
A	H20175	RWE	2002/10/23
B	LS4129	JTA	2005/01/03
C	DG06-0389	Kason	2006/09/13
D	DG07-0389	Kason	2007/09/25
E	N09-0372	SH	2009/11/26
-	-	-	-
-	-	-	-

IND	DESIGNATION
E	1. CHANGE -2XXLF PLATING PERFORMANCE LEVEL

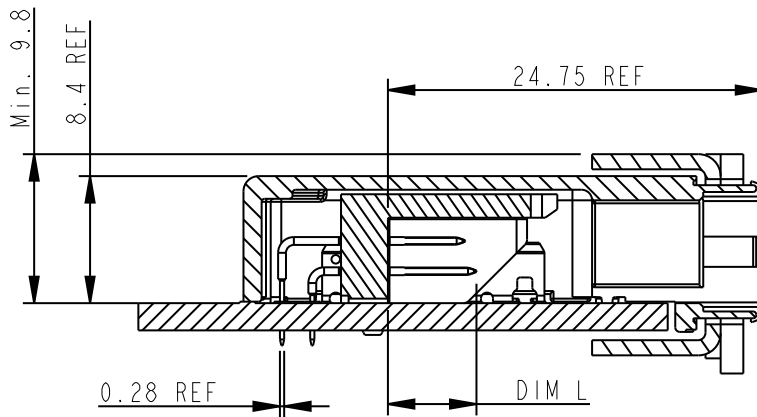
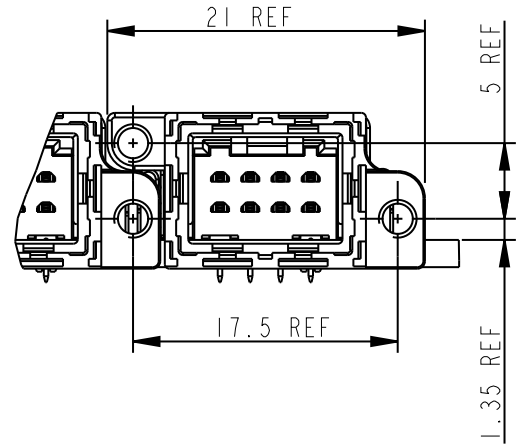
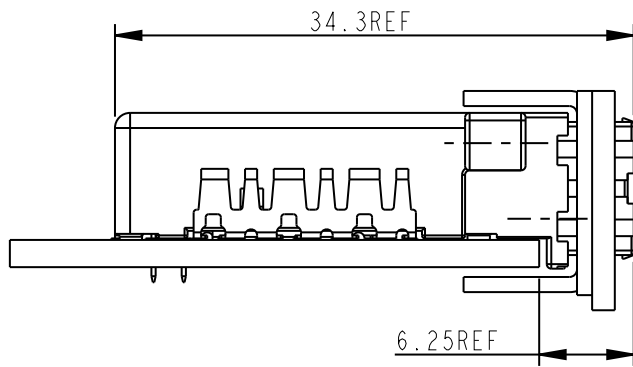
www.fciconnect.com		surface ISO 1302	tolerance std ISO 406 ISO 1101	projection mm		
		TOLERANCES UNLESS OTHERWISE SPECIFIED				
Dr	R WEBER	2002/02/08	ANGULAR			size
Eng	R WEBER	2002/02/08	LINEAR	A4	1:1	
Chr	M LOMAN	2002/02/08	0° ±2°	0.X ±0.3	ECN	DG07-0389
Appr	R WEBER	2002/02/08	0.XX ±0.1	0.XXX ±0.05	Spec ref	SEE NOTES
		Product family		SOFIX		

	title	PIP HDR 8 Pos.	dwg no	52088_C	Rev.	E
		Sofix shielded i/o				
catalog no		See Table	CUSTOMER		sheet 1 of 5	

REV F - 2006-04-17



Copyright FCI.



Note:  
For dim L see sheet 5

www.fciconnect.com

surface  
ISO 1302

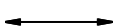


tolerance std  
ISO 406 ISO 1101

projection



mm



TOLERANCES UNLESS OTHERWISE SPECIFIED

Dr	R WEBER	2002/02/08	ANGULAR	LINEAR	0.X	±0.3	size A4	Scale 1:1
Eng	R WEBER	2002/02/08			0.XX	±0.1		
Chr	M LOMAN	2002/02/08	0° ±2°		0.XXX	±0.05	ECN	DG07-0389
Appr	R WEBER	2002/02/08	Product family			SOFIX	Spec ref	SEE NOTES



title  
PIP HDR 8 Pos.  
Sofix shielded i/o

dwg no

52088\_C

Rev.  
E

catalog no

See Table

CUSTOMER

sheet 2 of 5

REV F - 2006-04-17

PDM: Rev:E

STATUS: Released

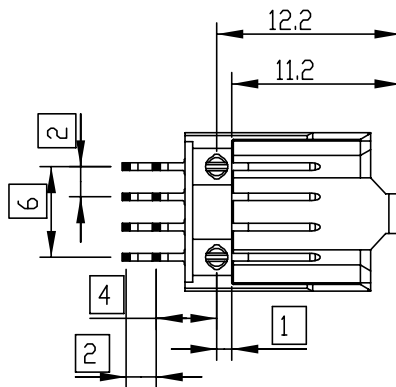
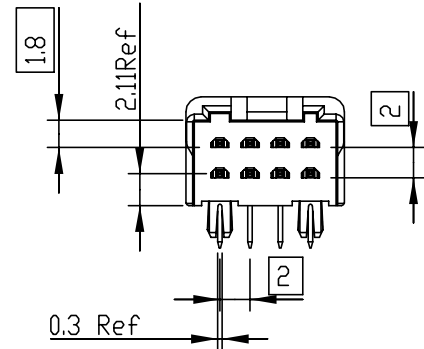
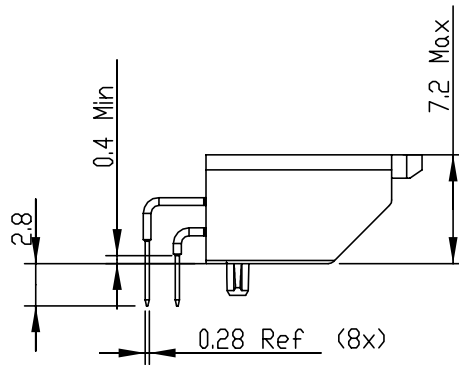
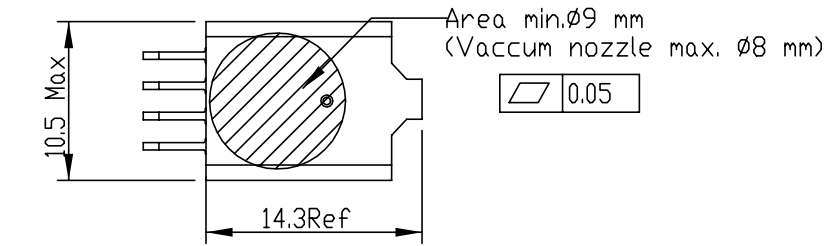
Printed: Aug 01, 2010



Copyright FCI.



Copyright FCI.



www.fciconnect.com			surface ISO 1302 ✓		tolerance std ISO 406 ISO 1101		projection 		mm 	
TOLERANCES UNLESS OTHERWISE SPECIFIED										
Dr	R WEBER	2002/02/08	ANGULAR	LINEAR	0.X	±0.3	size A4	Scale 1:1		
Eng	R WEBER	2002/02/08			0.XX	±0.1				
Chr	M LOMAN	2002/02/08			0° ±2°	0.XXX		±0.05	ECN DG07-0389	
Appr	R WEBER	2002/02/08	Product family			SOFIX		Spec ref SEE NOTES		
		title PIP HDR 8 Pos. Sofix shielded i/o				dwg no 52088_C		Rev. E		
catalog no				See Table		CUSTOMER		sheet 3 of 5		

REV F - 086-04-17

PDM: Rev:E

STATUS: Released

Printed: Aug 01, 2010

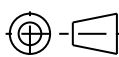


# BILL OF MATERIAL

LEAD FREE PRODUCTS:(see note 7)

PRODUCT NO.	PRODUCT NO	52088-201LF	52088-202LF	52088-203LF	52088-211LF	52088-212LF	52088-213LF
KIT							
Consists of:							
Shielded cover	72857-001	1	1	1	1	1	1
Contact strip	72815-001LF	2	2	2	2	2	2
Header	52089-201LF	1					
Header	52089-202LF		1				
Header	52089-203LF			1			
Header	52089-211LF				1		
Header	52089-212LF					1	
Header	52089-213LF						1

PRODUCT NO.	PRODUCT NO	52088-101LF	52088-102LF	52088-103LF	52088-111LF	52088-112LF	52088-113LF
KIT							
Consists of:							
Shielded cover	72857-001	1	1	1	1	1	1
Contact strip	72815-001LF	2	2	2	2	2	2
Header	52089-101LF	1					
Header	52089-102LF		1				
Header	52089-103LF			1			
Header	52089-111LF				1		
Header	52089-112LF					1	
Header	52089-113LF						1

\*Please consult FCI for alternate plating thickness

www.fciconnect.com		surface ISO 1302	<input checked="" type="checkbox"/>	tolerance std ISO 406 ISO 1101	projection 	mm 
TOLERANCES UNLESS OTHERWISE SPECIFIED						
Dr	R WEBER	2002/02/08	ANGULAR LINEAR	0.X	±0.3	size A4
Eng	R WEBER	2002/02/08		0.XX	±0.1	
Chr	M LOMAN	2002/02/08		0° ±2°	0.XXX	±0.05
Appr	R WEBER	2002/02/08	Product family		SOFIX	Spec ref SEE NOTES
	title PIP HDR 8 Pos. Sofix shielded i/o			dwg no 52088_C		Rev. E
	catalog no			See Table		CUSTOMER

REV F - 2006-04-17

**PDM: Rev:E**

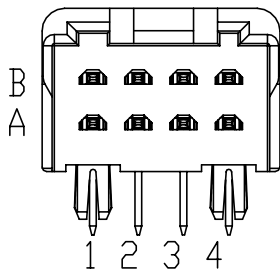
**STATUS: Released**

Printed: Aug 01, 2010



Copyright FCI.

## HEADER LOADING PATTERN

PRODUCT NO:	MATING LENGTH DIM L	
52088-201LF 52088-101LF	Row B 5.0 Row A 5.75	
52088-211LF 52088-111LF		
52088-202LF 52088-102LF	Row B Pos1 and Pos 2=5.00 Row B Pos3 and Pos 4=5.75 Row A 5.75	
52088-212LF 52088-112LF		
52088-203LF 52088-103LF	Row B 5.75 Row A Pos1 and Pos2=5.00 Row A Pos3 and Pos4=5.75	
52088-213LF 52088-113LF		

### 7-ROHS INFORMATIONS:

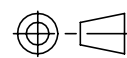
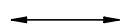

-This product meets European Union Directives and other country regulations as described in GS-22-008.

-The housing will withstand exposure to 260°C peak temperature for 10 second in a convection, infra-red or vapor phase reflow oven.  
See Application notes/procedures if they are available.

Packaging spec: See GS-14-920



Copyright FCI.

www.fciconnect.com			surface <input checked="" type="checkbox"/> ISD 1302		tolerance std <input checked="" type="checkbox"/> ISD 406 <input type="checkbox"/> ISD 1101		projection 		mm 					
			TOLERANCES UNLESS OTHERWISE SPECIFIED					size A4		Scale 1:1				
Dr	R WEBER	2002/02/08	ANGULAR	LINEAR	0.X	±0.3								
Eng	R WEBER	2002/02/08			0.XX	±0.1								
Chr	M LOMAN	2002/02/08	0°	±2°	0.XXX	±0.05	ECN DG07-0389							
Appr	R WEBER	2002/02/08	Product family				SOFIX		Spec ref SEE NOTES					
		title PIP HDR 8 Pos. Sofix shielded i/o				dwg no 52088_C		Rev. E						
		catalog no See Table								CUSTOMER		sheet 5 of 5		

REV F - 086-04-17