



Is Now Part of



**ON Semiconductor®**

To learn more about ON Semiconductor, please visit our website at

[www.onsemi.com](http://www.onsemi.com)

ON Semiconductor and the ON Semiconductor logo are trademarks of Semiconductor Components Industries, LLC dba ON Semiconductor or its subsidiaries in the United States and/or other countries. ON Semiconductor owns the rights to a number of patents, trademarks, copyrights, trade secrets, and other intellectual property. A listing of ON Semiconductor's product/patent coverage may be accessed at [www.onsemi.com/site/pdf/Patent-Marking.pdf](http://www.onsemi.com/site/pdf/Patent-Marking.pdf). ON Semiconductor reserves the right to make changes without further notice to any products herein. ON Semiconductor makes no warranty, representation or guarantee regarding the suitability of its products for any particular purpose, nor does ON Semiconductor assume any liability arising out of the application or use of any product or circuit, and specifically disclaims any and all liability, including without limitation special, consequential or incidental damages. Buyer is responsible for its products and applications using ON Semiconductor products, including compliance with all laws, regulations and safety requirements or standards, regardless of any support or applications information provided by ON Semiconductor. "Typical" parameters which may be provided in ON Semiconductor data sheets and/or specifications can and do vary in different applications and actual performance may vary over time. All operating parameters, including "Typicals" must be validated for each customer application by customer's technical experts. ON Semiconductor does not convey any license under its patent rights nor the rights of others. ON Semiconductor products are not designed, intended, or authorized for use as a critical component in life support systems or any FDA Class 3 medical devices or medical devices with a same or similar classification in a foreign jurisdiction or any devices intended for implantation in the human body. Should Buyer purchase or use ON Semiconductor products for any such unintended or unauthorized application, Buyer shall indemnify and hold ON Semiconductor and its officers, employees, subsidiaries, affiliates, and distributors harmless against all claims, costs, damages, and expenses, and reasonable attorney fees arising out of, directly or indirectly, any claim of personal injury or death associated with such unintended or unauthorized use, even if such claim alleges that ON Semiconductor was negligent regarding the design or manufacture of the part. ON Semiconductor is an Equal Opportunity/Affirmative Action Employer. This literature is subject to all applicable copyright laws and is not for resale in any manner.



# FPF2595 IntelliMAX™ 28 V, Over-Voltage, Over-Current Protection Load Switch with Adjustable Current-Limit Control

## Features

- $V_{IN}$ : 2.5 V~5.5 V
- 28 V Absolute Ratings at  $V_{OUT}$
- Current Capability: 3.9 A
  - Typ 0.1 A~3.5 A with 10% Accuracy
- $R_{ON}$ : Typ. 35 m $\Omega$  & Max. 50 m $\Omega$  at 5  $V_{IN}$  and 1 A  $I_{OUT}$
- Output OVP: Min.=5.6 V, Typ.=5.8 V, Max.=6 V
- No Output Discharge During Off State
- Open-Drain OCP on FLAGB
- Thermal Shutdown
- Under-Voltage Lockout (UVLO)
- True Reverse-Current Blocking (TRCB)
- Logic CMOS IO Meets JESD76 Standard for GPIO Interface and Related Power Supply Requirements
- ESD Protected:
  - Human Body Model: >2 kV
  - Charged Device Model: >1.0 kV
  - IEC 61000-4-2 Air Discharge: >15 kV
  - IEC 61000-4-2 Contact Discharge: >8 kV

## Description

The FPF2595 advanced load-management switch targets applications requiring a highly integrated solution. It disconnects loads powered from the DC power rail (<6 V) with stringent off-state current targets and high load capacitances (<100  $\mu$ F). The FPF2595 consists of a slew-rate controlled low-impedance MOSFET switch (35 m $\Omega$  typical) and integrated analog features. The slew-rate controlled turn-on characteristic prevents inrush current and the resulting excessive voltage droop on power rails. FPF2595 has over-voltage protection and over-temperature protection.

The FPF2595 has a True Reverse-Current Blocking (TRCB) function that obstructs unwanted reverse current from  $V_{OUT}$  to  $V_{IN}$  during ON and OFF states. The exceptionally low off-state current drain (<2  $\mu$ A maximum) facilitates compliance with standby power requirements. The input voltage range operates from 2.5 V to 5.5  $V_{DC}$  to support a wide range of applications in consumer, optical, medical, storage, portable, and industrial-device power management. Switch control is managed by a logic input (active HIGH) capable of interfacing directly with low-voltage control signal / General-Purpose Input / Output (GPIO) without an external pull-down resistor.

The device is packaged in advanced, fully “green” compliant, 1.3 mm x 1.8 mm, Wafer-Level Chip-Scale Packages (WLCSP).

## Applications

- Type C Power Source Switch
- Computing, Monitor
- Portable Devices

## Ordering Information

Part Number	Operating Temperature Range	Package	Packing Method	Top Mark
FPF2595UCX	-40 to 85°C	12-Ball, WLCSP, 3x4 Array, 0.4 mm Pitch, 250 $\mu$ m Ball, Wafer-Level Chip-Scale Package (WLCSP)	Tape & Reel	TY

### Application Diagram

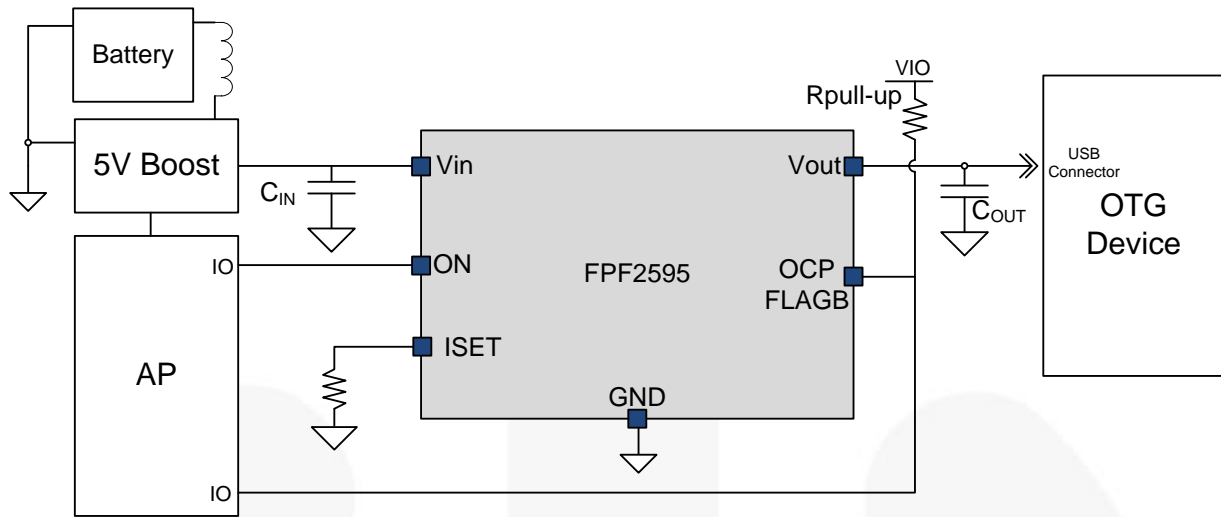


Figure 1. Typical Application

**Note:**

1. C<sub>IN</sub> and C<sub>OUT</sub> capacitors recommended for improvement of device stability.

### Functional Block Diagram

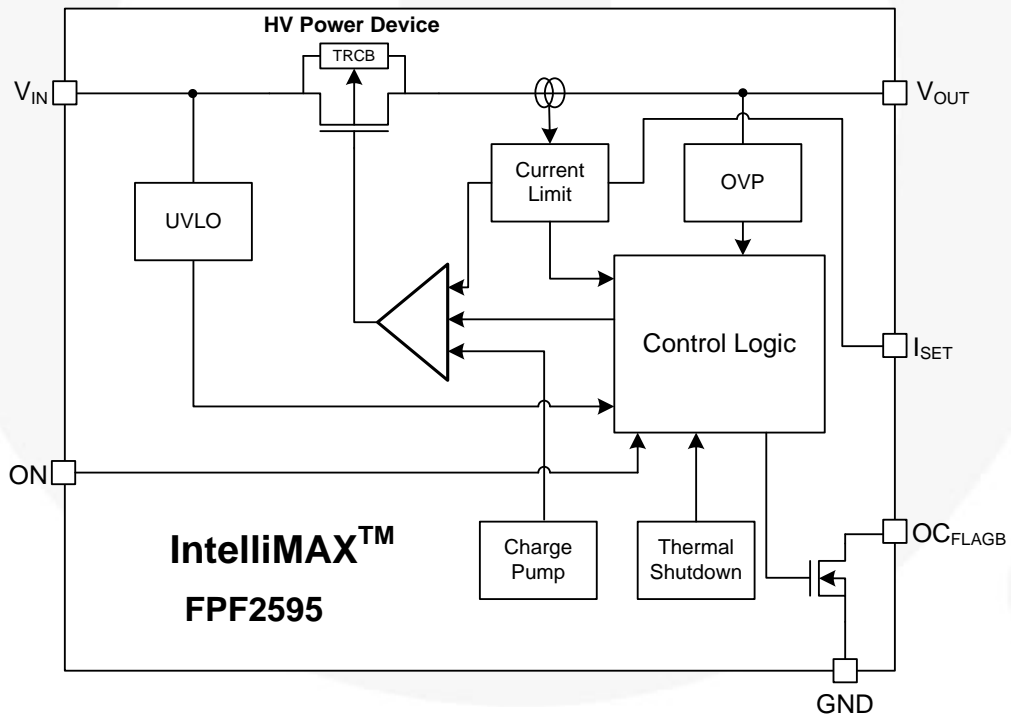


Figure 2. Functional Block Diagram

## Pin Configurations

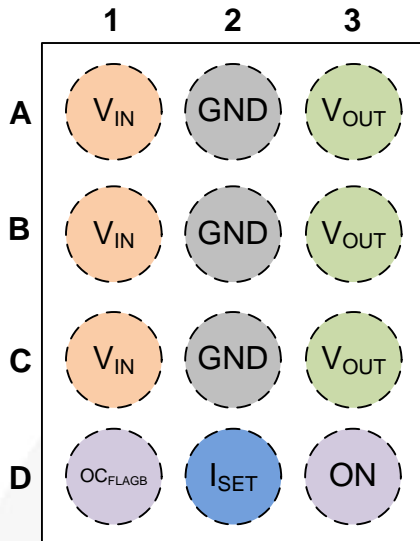


Figure 3. Pin Assignments (Top View)

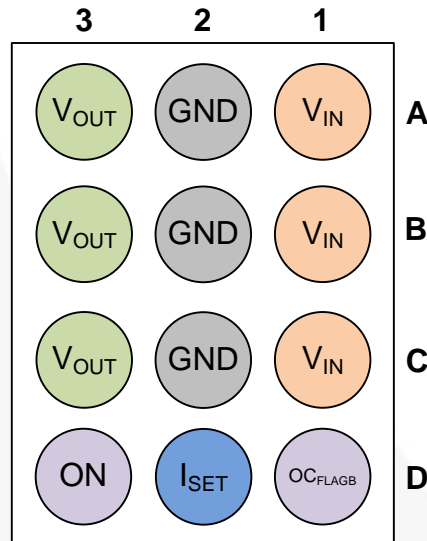


Figure 4. Pin Assignments (Bottom View)

## Pin Description

Pin #	Name	Description		
A3, B3, C3	V <sub>OUT</sub>	<b>Switch Output</b>		
A1, B1, C1	V <sub>IN</sub>	<b>Supply Input:</b> Input to the power switch		
A2, B2, C2	GND	<b>Ground</b> (True device ground)		
D3	ON	<b>ON/OFF Control Input:</b> Active HIGH - GPIO compatible	<b>Logic HIGH</b>	Switch Enable
			<b>Logic LOW</b>	Switch Disable
D1	OC <sub>FLAGB</sub>	<b>Fault Output:</b> Active LOW, open-drain output that indicates an input over current. External pull-up resistor to V <sub>CC</sub> is required.		
D2	I <sub>SET</sub>	<b>Current Limit Set Input:</b> A resistor from ISET to ground sets the current limit for the switch.		

## Absolute Maximum Ratings

Stresses exceeding the absolute maximum ratings may damage the device. The device may not function or be operable above the recommended operating conditions and stressing the parts to these levels is not recommended. In addition, extended exposure to stresses above the recommended operating conditions may affect device reliability. The absolute maximum ratings are stress ratings only.

Symbol	Parameters	Min.	Max.	Unit
$V_{PIN}$	$V_{OUT}$ to GND, $V_{OUT}$ to $V_{IN}$	-0.3	28.0	V
	ON, $V_{IN}$ , FLAGB, $I_{SET}$ to GND	-0.3	6.0	
$I_{SW}$	Maximum Continuous Switch Current <sup>(2)</sup>		3.9	A
$t_{PD}$	Total Power Dissipation at $T_A=25^\circ\text{C}$		1.48	W
$T_J$	Operating Junction Temperature	-40	+150	$^\circ\text{C}$
$T_{STG}$	Storage Junction Temperature	-65	+150	$^\circ\text{C}$
$\Theta_{JA}$	Thermal Resistance, Junction-to-Ambient (1-inch Square Pad of 2 oz. Copper)		84.1 <sup>(3)</sup>	$^\circ\text{C/W}$
ESD	Electrostatic Discharge Capability	Human Body Model, JESD22-A114	2.0	kV
		Charged Device Model, JESD22-C101	1.0	
	IEC61000-4-2 System Level	Air Discharge ( $V_{IN}$ , $V_{ON}$ , $V_{OUT}$ to GND)	15.0	
		Contact Discharge ( $V_{IN}$ , $V_{ON}$ , $V_{OUT}$ to GND)	8.0	

### Notes:

- Maximum Junction Temperature =  $85^\circ\text{C}$ .
- Measured using 2S2P JEDEC std. PCB.

## Recommended Operating Conditions

The Recommended Operating Conditions table defines the conditions for actual device operation. Recommended operating conditions are specified to ensure optimal performance to the datasheet specifications. Fairchild does not recommend exceeding them or designing to Absolute Maximum Ratings.

Symbol	Parameters	Min.	Max.	Unit
$V_{IN}$	Supply Voltage	2.5	5.5	V
$T_A$	Ambient Operating Temperature	-40	85	$^\circ\text{C}$

## Electrical Characteristics

Unless otherwise noted;  $V_{IN}=2.5$  to  $5.5$  V,  $T_A=-40$  to  $+85^\circ\text{C}$ ; typical values are at  $V_{IN}=5$  V and  $T_A=25^\circ\text{C}$ .

Symbol	Parameters	Condition	Min.	Typ.	Max.	Unit
<b>Basic Operation</b>						
$V_{IN}$	Input Voltage		2.5		5.5	V
$I_{Q(OFF)}$	Off Supply Current	$V_{ON}=\text{GND}$ , $V_{OUT}=\text{Open}$		1	2	$\mu\text{A}$
$I_{SD(OFF)}$	Shutdown Current	$V_{IN}=5.5$ V, $V_{OUT}=0$ V, $V_{ON}=\text{GND}$		0.1	4.0	$\mu\text{A}$
$I_Q$	Quiescent Current	$I_{OUT}=0$ mA		65	100	$\mu\text{A}$
$R_{ON}$	On Resistance	$V_{IN}=5.0$ V, $I_{OUT}=1$ A		35	50	m $\Omega$
		$V_{IN}=3.7$ V, $I_{OUT}=1$ A		40	55	
$V_{IH}$	ON Input Logic HIGH Voltage	$V_{IN}=2.5$ V to $5.5$ V	1.15			V
$V_{IL}$	ON Input Logic LOW Voltage	$V_{IN}=2.5$ V to $5.5$ V			0.65	V
$V_{IL\_FLAG}$	FLAGB Output Logic LOW Voltage	$V_{IN}=5$ V, $I_{SINK}=10$ mA		0.1	0.2	V
		$V_{IN}=2.5$ V, $I_{SINK}=10$ mA		0.15	0.30	
$I_{FLAGB\_LK}$	FLAGB Output HIGH Leakage Current	$V_{IN}=5$ V, Switch On			1	$\mu\text{A}$
$I_{ON}$	On Input Leakage	$V_{ON}=0$ V to $V_{IN}$			1.0	$\mu\text{A}$
$R_{ON\_PD}$	Pull-Down Resistance at ON Pin	$V_{IN}=2.5\text{--}5.5$ V, $V_{ON}=\text{HIGH}$ , $T_A=-40$ to $85^\circ\text{C}$		14		M $\Omega$
<b>Over-Voltage Protection</b>						
$V_{OV\_TRIP}$	Output OVP Lockout	$V_{OUT}$ Rising Threshold	5.50	5.80	6.00	V
		$V_{OUT}$ Falling Threshold		5.50		
$OUT_{HYS}$	Output OVP Hysteresis	$V_{OUT}$ Falling Threshold		0.3		V
$t_{OVP}$	OVP Response Time <sup>(5)</sup>	$I_{OUT}=0.5$ A, $C_L=1$ $\mu\text{F}$ , $T_A=25^\circ\text{C}$ , $V_{OUT}$ from $5.5$ V to $6.0$ V	1		4	$\mu\text{s}$
<b>Over-Current Protection</b>						
$I_{LIM}$	Current Limit <sup>(4)</sup>	$V_{IN}=5$ V, $R_{SET}=2300$ $\Omega$ , $V_{OUT}=1.68$ to $5$ V	450	500	550	mA
		$V_{IN}=5$ V, $R_{SET}=1070$ $\Omega$ , $V_{OUT}=1.68$ to $5$ V	900	1000	1100	
$V_{UVLO}$	Under-Voltage Lockout	$V_{IN}$ Increasing		2.4		V
		$V_{IN}$ Decreasing		2.2		
$V_{UVLO\_HYS}$	UVLO Hysteresis			200		mV
$V_{T\_RCB}$	RCB Protection Trip Point	$V_{OUT} - V_{IN}$		50		mV
$V_{R\_RCB}$	RCB Protection Release Trip Point	$V_{IN} - V_{OUT}$		50		mV

Continued on the following page...

**Electrical Characteristics** (Continued)Unless otherwise noted;  $V_{IN}=2.5$  to  $5.5$  V,  $T_A=-40$  to  $+85^\circ\text{C}$ ; typical values are at  $V_{IN}=5$  V and  $T_A=25^\circ\text{C}$ .

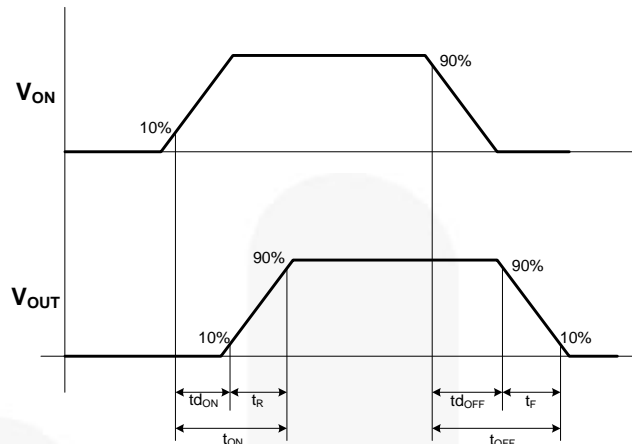
Symbol	Parameters	Conditions	Min.	Typ.	Max.	Unit
$V_{RCB\_HYS}$	RCB Hysteresis			100		mV
$t_{RCB}$	Default RCB Response Time	$V_{IN}=5$ V, $V_{ON}=\text{High/Low}$		2		$\mu\text{s}$
$I_{RCB}$	RCB Current	$V_{ON}=0$ V, $V_{OUT}=5.5$ V,		7		$\mu\text{A}$
$t_{HOCP}$	Hard Over-Current Response Time	Moderate Over-Current Condition, $I_{OUT} \geq I_{LIM}$ , $V_{OUT}=0$ V		6		$\mu\text{s}$
$t_{OCP}$	Over-Current Response Time	Moderate Over-Current Condition, $I_{OUT} \geq I_{LIM}$ , $V_{OUT} \leq V_{IN}$		7		$\mu\text{s}$
$t_{OC\_FLAG}$	Over-Current Flag Response Time	When Over-Current Occurs to Flag Pulling LOW		8		ms
TSD	Thermal Shutdown <sup>(5)</sup>	Shutdown Threshold		150		$^\circ\text{C}$
		Return from Shutdown		130		
		Hysteresis		20		
<b>Dynamic Characteristics</b>						
$t_{DON}$	Turn-On Delay <sup>(5,6)</sup>	$V_{IN}=5$ V, $R_L=100$ $\Omega$ , $C_L=1$ $\mu\text{F}$ , $T_A=25^\circ\text{C}$ , $R_{SET}=2040$ $\Omega$		0.69		ms
$t_R$	$V_{OUT}$ Rise Time <sup>(5,6)</sup>			0.77		ms
$t_{ON}$	Turn-On Time <sup>(5,7)</sup>			1.46		ms
$t_{DOFF}$	Turn-Off Delay <sup>(5,6)</sup>			10		$\mu\text{s}$
$t_F$	$V_{OUT}$ Fall Time <sup>(5,6)</sup>			220		$\mu\text{s}$
$t_{OFF}$	Turn-Off Time <sup>(5,8)</sup>			230		$\mu\text{s}$

**Notes:**

- Characterization based on 1% tolerance resistor.
- This parameter is guaranteed by design and characterization; not production tested.
- $t_{DON}/t_{DOFF}/t_R/t_F$  are defined in Figure 5 below.
- $t_{ON}=t_R + t_{DON}$ .
- $t_{OFF}=t_F + t_{DOFF}$ .



## Timing Diagram



where:

$t_{DON}$  = Delay On Time  
 $t_R$  =  $V_{OUT}$  Rise Time  
 $t_{ON}$  = Turn-On Time  
 $t_{DOFF}$  = Delay Off Time  
 $t_F$  =  $V_{OUT}$  Fall Time  
 $t_{OFF}$  = Turn Off Time

Figure 5. Timing Diagram

## Operation and Application Description

### Input Capacitor

To limit the voltage drop on the input supply caused by transient inrush current when the switch turns on into discharge load capacitor; a capacitor must be placed in between the  $V_{IN}$  and GND pins. A high-value capacitor on  $C_{IN}$  can be used to reduce the voltage drop in high-current applications.

### Output Capacitor

An output capacitor should be placed between the  $V_{OUT}$  and GND pins. This capacitor prevents parasitic board inductance from forcing  $V_{OUT}$  below GND when the switch is on. This capacitor also prevents reverse inrush current from creating a voltage spike that could damage the device in the case of a  $V_{OUT}$  short.

### Fault Reporting

Upon the detection of an over-current, OC\_FLAGB signal the fault by activating LOW.

### Current Limiting

The current limit ensures that the current through the switch does not exceed the maximum set value, while not limiting the minimum value. The current at which the part's limit is adjustable through the selection of the external resistor connected to the ISET pin. Information for selecting the resistor is found in the section below. The device acts as a constant-current source when the load draws more than the maximum value set by the device until thermal shutdown occurs. The device recovers if the die temperature drops below the threshold temperature.

### Under-Voltage Lockout (UVLO)

The under-voltage lockout turns the switch off if the input voltage drops below the lockout threshold. With the ON pin active, the input voltage rising above the UVLO threshold releases the lockout and enables the switch.

### True Reverse-Current Blocking

The true reverse-current blocking feature protects the input source against current flow from output to input regardless of whether the load switch is on or off.

### Thermal Shutdown

The thermal shutdown protects the die from internally or externally generated excessive temperature. During an over-temperature condition, the switch is turned off. The switch automatically turns on again if the temperature of the die drops below the threshold temperature.



## Setting Current Limit

The current limit is set with an external resistor connected between the I<sub>SET</sub> and GND pins. The resistor is selected using Table 1. Resistor tolerance of 1% or less is recommended.

**Table 1. Current Limit Settings by R<sub>SET</sub><sup>(9)</sup>**

R <sub>SET</sub> Ω	Min. Current Limit (mA)	Typ. Current Limit (mA)	Max. Current Limit (mA)
290	3150	3500	3850
315	2925	3250	3575
340	2700	3000	3300
375	2475	2750	3025
415	2250	2500	2750
460	2025	2250	2475
520	1800	2000	2200
600	1570	1750	1920
700	1350	1500	1650
850	1125	1250	1375
1070	900	1000	1100
1200	810	900	990
1350	720	800	880
1550	630	700	770
1850	540	600	660
2300	450	500	550
2500	405	450	495
2800	360	400	440
3200	315	350	385
3800	270	300	330
4600	225	250	275
5900	180	200	220
7800	135	150	165
11900	90	100	110

**Note:**

9. Table values based on 1% tolerance resistor.

Current limit threshold equation (I<sub>LIM</sub>):

$$R_{SET}(\Omega) = \left( \frac{798439 \text{ mV}}{I_{SET} \text{ mA}} \right)^{1.044}$$

Or:

$$I_{SET} \text{ (mA)} = \frac{798439 \text{ mV}}{R_{SET}^{0.956} \Omega} \quad (1)$$

If current limit is not used it is OK for the ISET pin to be connected with GND, but the maximum current must be less than the maximum current capability of 3.9 A.

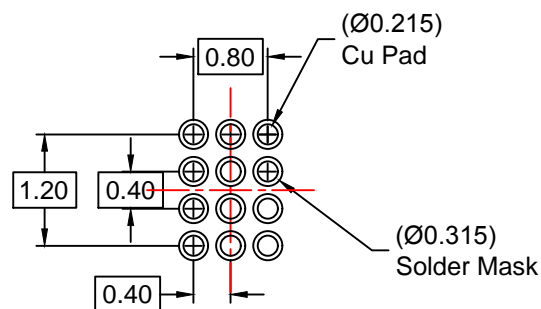
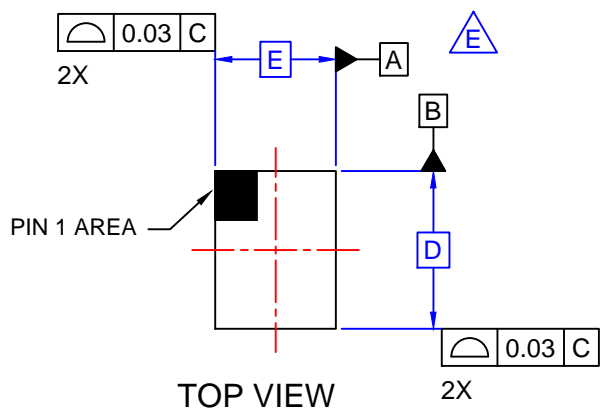
## Board Layout

For best performance, all traces should be as short as possible. To be most effective, the input and output capacitors should be placed close to the device to minimize the effect that parasitic trace inductance may have on normal and short-circuit operation. Using wide traces for VIN, VOUT, GND helps minimize parasitic electrical effects along with minimizing the case-to-ambient thermal impedance.

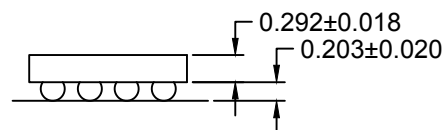
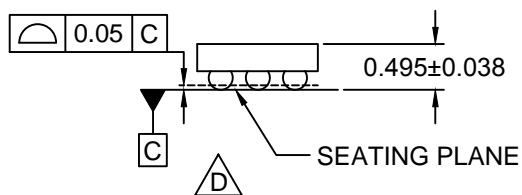
The table below pertains to the Marketing outline drawing on the following page.

## Product-Specific Dimensions

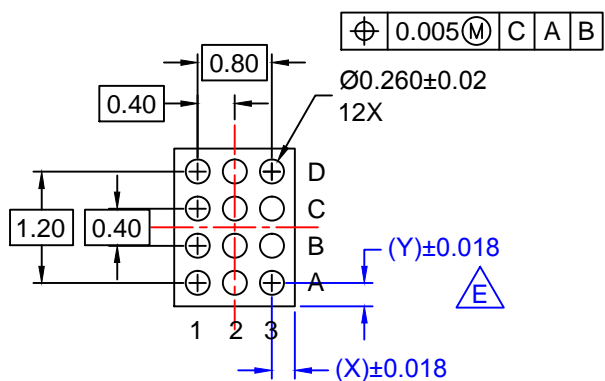
Parts	D	E	X	Y
FPF2595UCX	1800 μm ±30 μm	1300 μm ±30 μm	250 μm	300 μm



RECOMMENDED LAND PATTERN  
(NSMD PAD TYPE)



SIDE VIEWS



BOTTOM VIEW

NOTES:

- A. NO JEDEC REGISTRATION APPLIES.
- B. DIMENSIONS ARE IN MILLIMETERS.
- C. DIMENSIONS AND TOLERANCES PER ASME Y14.5M, 2009.
- D. DATUM C IS DEFINED BY THE SPHERICAL CROWNS OF THE BALLS.
- E. FOR DIMENSIONS D, E, X, AND Y SEE PRODUCT DATASHEET.
- F. DRAWING FILENAME: MKT-UC012AJrev1.



ON Semiconductor and  are trademarks of Semiconductor Components Industries, LLC dba ON Semiconductor or its subsidiaries in the United States and/or other countries. ON Semiconductor owns the rights to a number of patents, trademarks, copyrights, trade secrets, and other intellectual property. A listing of ON Semiconductor's product/patent coverage may be accessed at [www.onsemi.com/site/pdf/Patent-Marking.pdf](http://www.onsemi.com/site/pdf/Patent-Marking.pdf). ON Semiconductor reserves the right to make changes without further notice to any products herein. ON Semiconductor makes no warranty, representation or guarantee regarding the suitability of its products for any particular purpose, nor does ON Semiconductor assume any liability arising out of the application or use of any product or circuit, and specifically disclaims any and all liability, including without limitation special, consequential or incidental damages. Buyer is responsible for its products and applications using ON Semiconductor products, including compliance with all laws, regulations and safety requirements or standards, regardless of any support or applications information provided by ON Semiconductor. "Typical" parameters which may be provided in ON Semiconductor data sheets and/or specifications can and do vary in different applications and actual performance may vary over time. All operating parameters, including "Typicals" must be validated for each customer application by customer's technical experts. ON Semiconductor does not convey any license under its patent rights nor the rights of others. ON Semiconductor products are not designed, intended, or authorized for use as a critical component in life support systems or any FDA Class 3 medical devices or medical devices with a same or similar classification in a foreign jurisdiction or any devices intended for implantation in the human body. Should Buyer purchase or use ON Semiconductor products for any such unintended or unauthorized application, Buyer shall indemnify and hold ON Semiconductor and its officers, employees, subsidiaries, affiliates, and distributors harmless against all claims, costs, damages, and expenses, and reasonable attorney fees arising out of, directly or indirectly, any claim of personal injury or death associated with such unintended or unauthorized use, even if such claim alleges that ON Semiconductor was negligent regarding the design or manufacture of the part. ON Semiconductor is an Equal Opportunity/Affirmative Action Employer. This literature is subject to all applicable copyright laws and is not for resale in any manner.

## PUBLICATION ORDERING INFORMATION

### LITERATURE FULFILLMENT:

Literature Distribution Center for ON Semiconductor  
19521 E. 32nd Pkwy, Aurora, Colorado 80011 USA  
**Phone:** 303-675-2175 or 800-344-3860 Toll Free USA/Canada  
**Fax:** 303-675-2176 or 800-344-3867 Toll Free USA/Canada  
**Email:** [orderlit@onsemi.com](mailto:orderlit@onsemi.com)

**N. American Technical Support:** 800-282-9855 Toll Free  
USA/Canada  
**Europe, Middle East and Africa Technical Support:**  
Phone: 421 33 790 2910  
**Japan Customer Focus Center**  
Phone: 81-3-5817-1050

**ON Semiconductor Website:** [www.onsemi.com](http://www.onsemi.com)  
**Order Literature:** <http://www.onsemi.com/orderlit>  
For additional information, please contact your local  
Sales Representative