



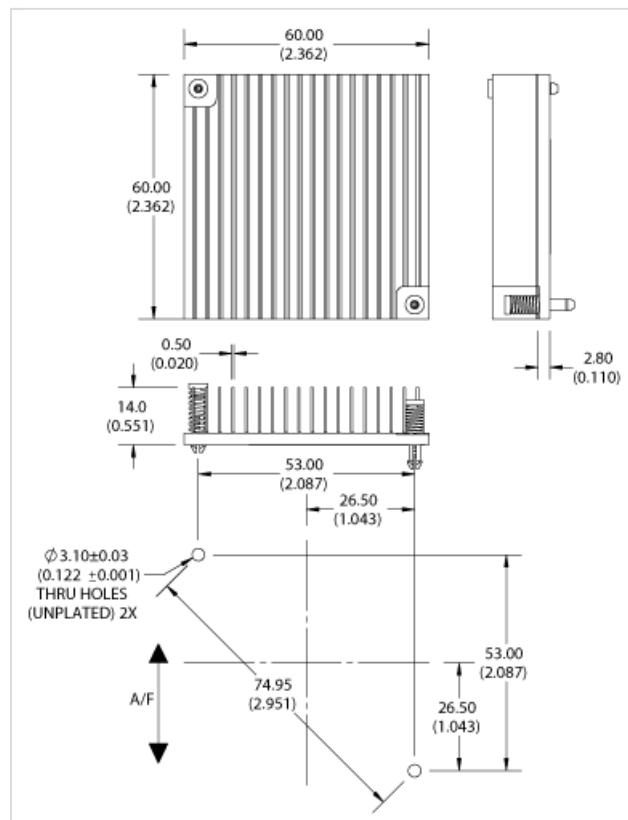
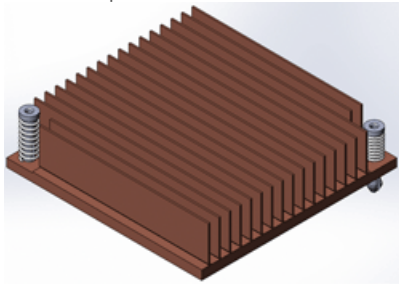
**Aavid - The worldwide leader in thermal management solutions**

» FPGA / BGA Heat Sinks

## 342945

SQUARE HEATSINK WITH PUSH PIN ATTACHMENT

RoHS: compliant



**Width:** 60.00

**Length:** 60.00

**Height:** 14.00

**Base Thickness:** 2.80

**Fin Thickness:** Length , Width 0.50

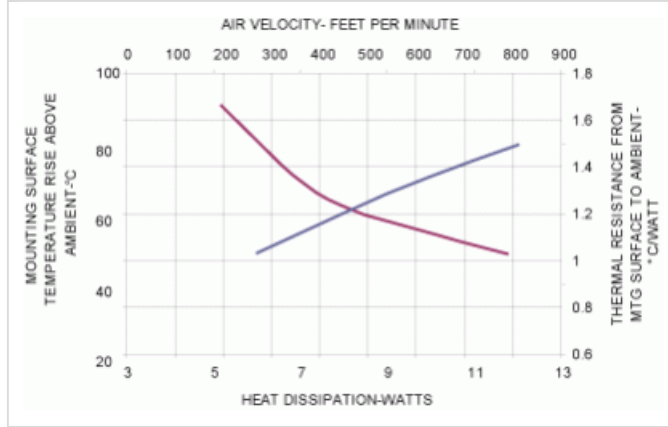
# of Fins: Length , Width 18  
 Fin Tip to Tip:

### Thermal Performance

Natural Convection: 7.07

Forced convection: 1.66

Thermal Curve:



### Customer Assistance

- Contact Us
- Get Design Assistance
- Find a Distributor
- Find a Sales Rep
- Request a Quote
- Placing an Order
- Terms and Conditions
- Returns

### Popular Products

- Fans
- Extrusions
- Board Level
- Liquid Cooling
- Heat Pipe Technology
- Heat Sink Accessories
- Interface Materials

### Our Company

- News and Events
- Management Team
- Worldwide Locations
- Disclaimer
- Customer Survey
- Privacy Policy
- Careers

### Connect

Like / Follow



© Copyright 2011