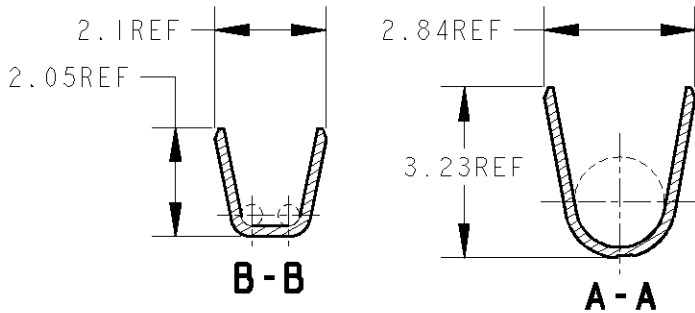
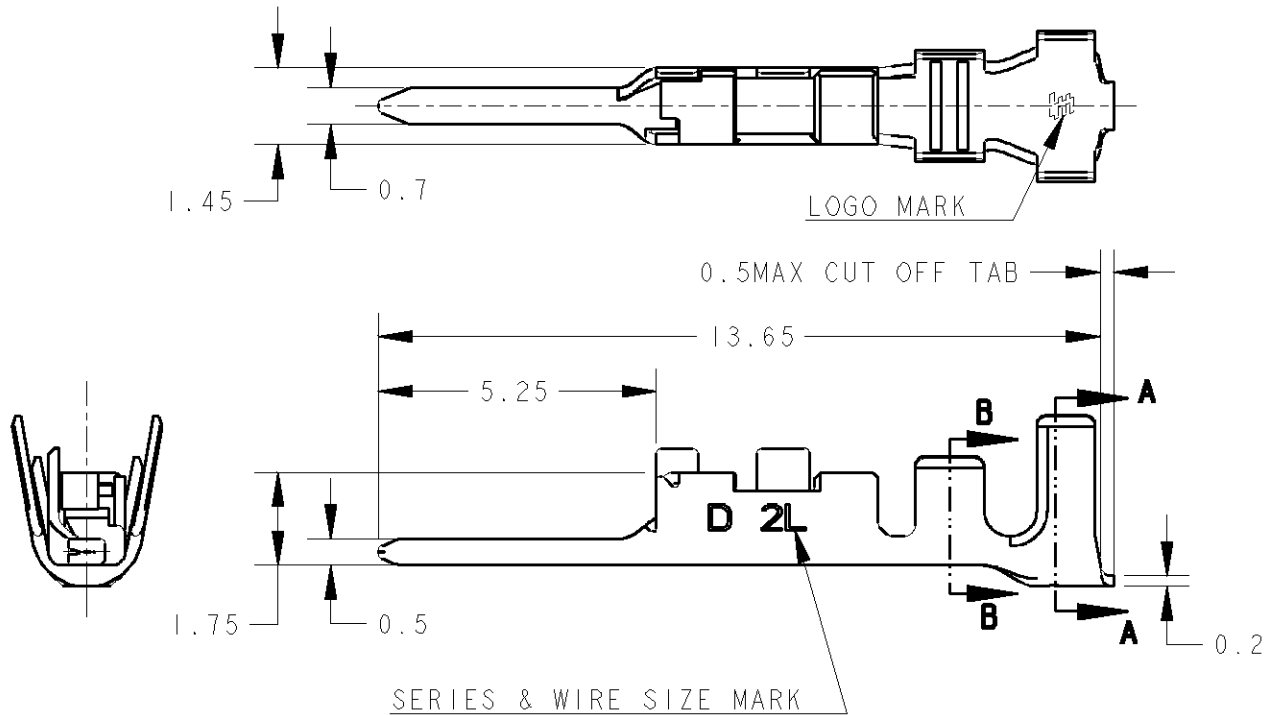


LOC J	DIST	REVISIONS 変更					
		P	LTR	DESCRIPTION	DATE	DWN	APVD
			B	REVISED PER ECR-10-010439	09JUN2010	HMR	T.M



- APPLICATION TAB-HSG IS APPLIED TO THE PRODUCT OF 2.5mm PITCH OR MORE OF DYNAMIC D1000 SERIES. 2.0mm PITCH CANNOT BE USED.
 - THE SHAPE, SIZE AND POSITION OF THE CHARACTER SHOW THE OUTLINE. THEY DON'T SHOW DETAILS.
- DYNAMIC D1000シリーズの2.5mmピッチ以上のTAB-HSG製品に適用。
 - 2.0mmピッチの製品には使用不可。
2. 文字の形状、大きさ、および位置については、大略を示すものであり、詳細を示すものではありません。

AS SHOWN: 1903126-1

△ PRE-TIN COPPER ALLOY (錫めっき赤銅合金)	1903126-1
MATERIAL (材料)	PART NO (型番)

WIRE RANGE 総合電線断面積 mm ²	AWG#22~#18 0.34~0.86	INSULATION DIA 被覆外径 φ1.4~φ2.2
--	-------------------------	-------------------------------------

DIMENSIONS: 単位: 耗 mm	DWN M. MAEBASHI 26APR2006
TOLERANCES UNLESS OTHERWISE SPECIFIED: 一般公差 ±0.3, ±3°	CHK T. KUDO 26APR2006
0 PLC ±	APVD D. MITSUGI 26APR2006
1 PLC ±	PRODUCT SPEC 製品規格 108-78298
2 PLC ±	APPLICATION SPEC 取付適用規格 114-5377
3 PLC ±	WEIGHT 0.086 g
4 PLC ±	CUSTOMER DRAWING
ANGLES ±	

MATERIAL 材料	△	FINISH 仕上
----------------	---	--------------



Tyco Electronics Corporation
Kawasaki, Japan

NAME 名称	DYNAMIC D1000 SERIES TAB CONTACT TIN-PLATE 2L-TYPE L/P		
------------	---	--	--

SIZE	CAGE CODE	DRAWING NO 番号	RESTRICTED TO
A4	00779	C-1903126	

SCALE 尺度	SHEET	OF	REV
7:1	1	1	B

2006

RELEASED FOR PUBLICATION

THIS DRAWING IS UNPUBLISHED.

BY TYCO ELECTRONICS CORPORATION. ALL INTERNATIONAL RIGHTS RESERVED.

© COPYRIGHT 2006