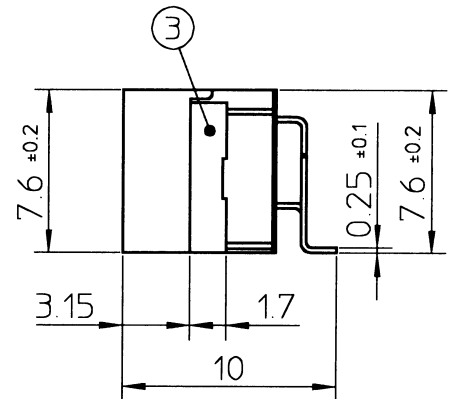
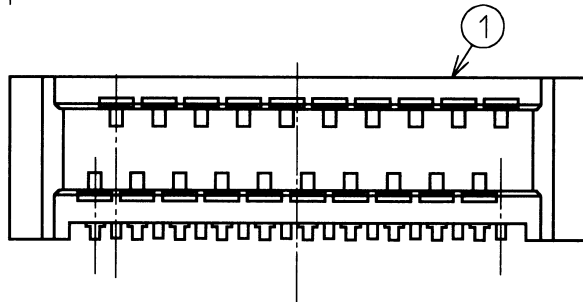
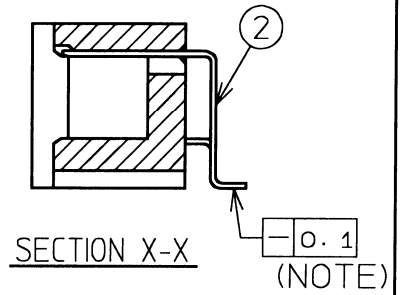


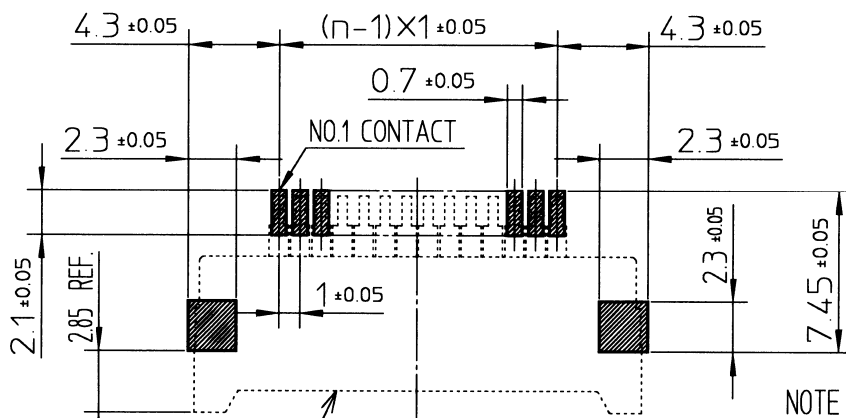
TOLERANCES
UNLESS OTHERWISE SPECIFIED : ± 0.3



PT. NO.	PARTS NAME	MATERIAL	Q'TY	NOTE
1	HOUSING	GLASS FILLED THERMOPLASTIC RATED (UL94V-0)	1	COLOR:BRACK
2	CONTACT	PHOSPHOR BRONZE	n	PLATING:TIN ALLOY
3	MOUNTING PLATE	BRASS	2	PLATING:TIN ALLOY

RECOMMENDED PC BOARD LAYOUT
(COMPONENT SIDE)

n:NO. OF CONTACTS
(10 TO 30 , ONLY EVEN POS.)



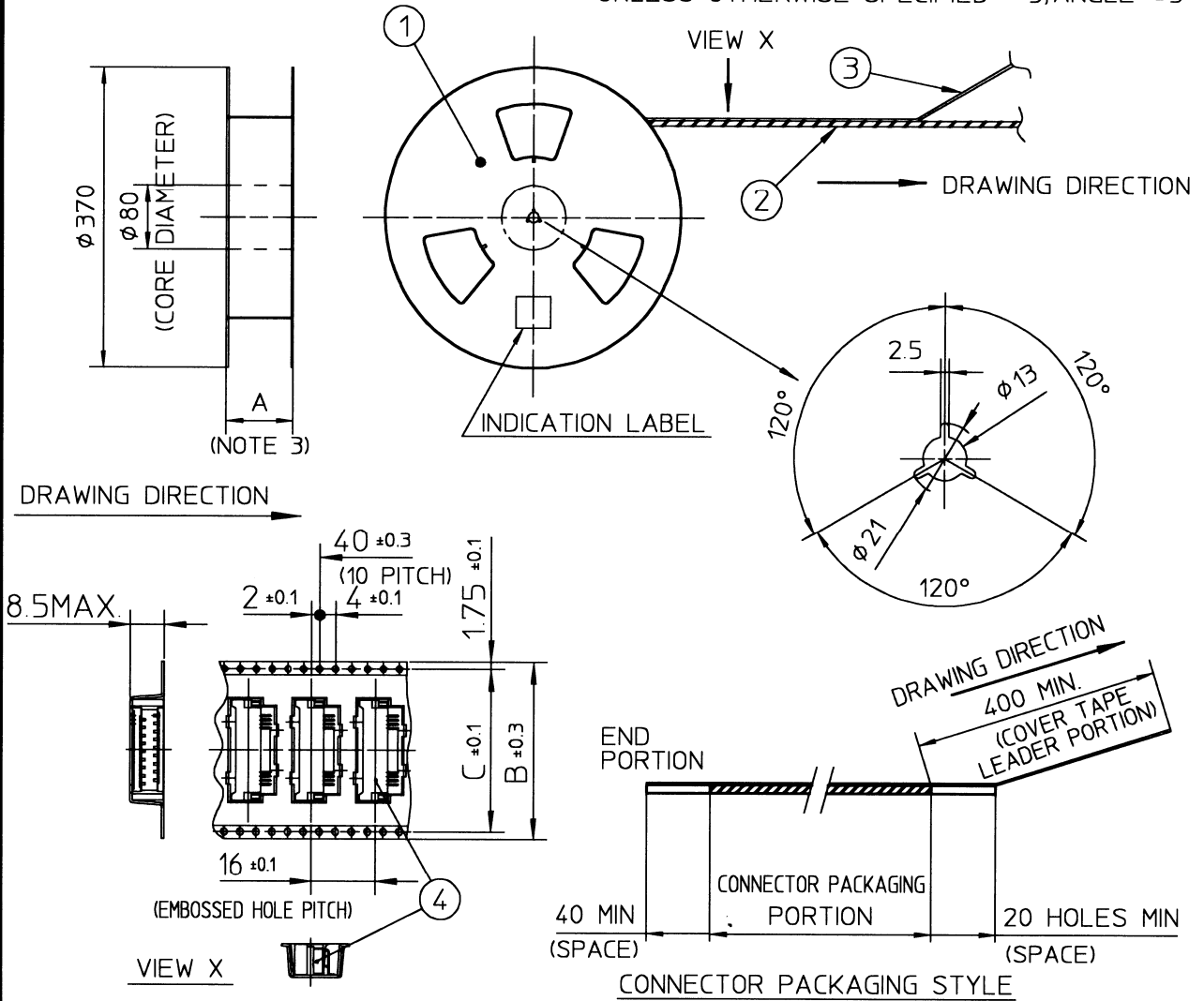
CONNECTOR OUTLINE

NOTE
FLATNESS FOR CONTACT TERMINAL
AND MOUNTING PLATE MUST BE WITHIN 0.1.

REV.	DATE	変更内容 DESCRIPTION	承認 APPD	承認 APPD	尺度 SCALE	單位 DIM. IN	mm	品名 PRODUCT NAME	FLOATING BOARD TO BOARD RECEPTACLE CONNECTOR (SMT)
					設計 DESIGN	<i>m.koga</i>		型番 CAT.NO.	BTFW__R-3RST
					製図 DRAWN	<i>8/2/01</i>		図番 DWG.NO.	JSA 95588
					検図 CHKD	<i>S. Nakajima</i>		REV.	0
									DF-123 REV.B



TOLERANCES
UNLESS OTHERWISE SPECIFIED: ± 5 , ANGLE $\pm 5^\circ$



PT. NO.	PARTS NAME	CAT. NO.	MATERIAL	Q'TY	NOTE
1	REEL	—	CARDBOARD	1	—
2	PLASTIC (EMBOSS) TAPE	—	PET RESIN OR PP RESIN	—	COLOR : TRANSPARENCY
3	COVER	—	POLYESTER	—	COLOR : TRANSPARENCY
4	CONNECTOR	BTFW__R-3RST	SEE ATTACHED DWG.	700	—

DIMENSIONS

CATALOG NUMBER	NO. OF CONTACT(ONLY EVEN POS.)	A	B	C
BTFW10~14R-3RSTE1	10~14	38.4	32	28.4
BTFW16~24R-3RSTE1	16~24	50.4	44	40.4
BTFW26~30R-3RSTE1	26~30	62.4	56	52.4

NOTES

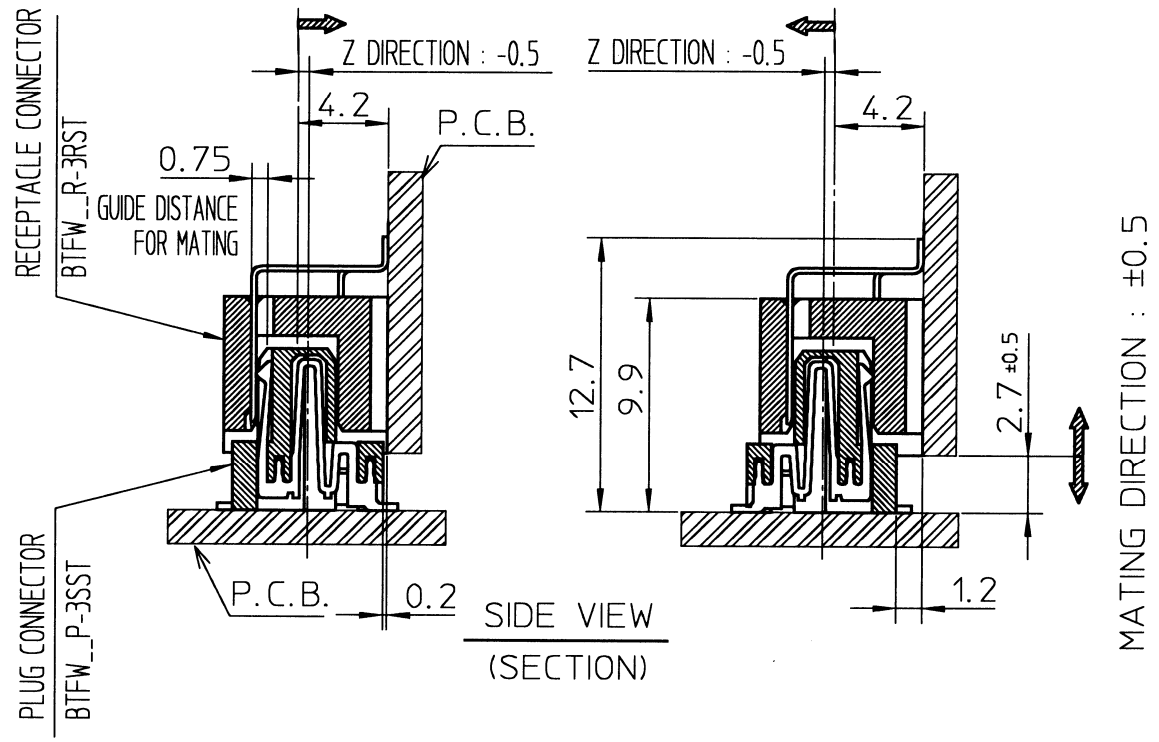
1. THIS IS PLASTIC TAPE PACKAGED CONNECTOR USED FOR BOARD TO BOARD COPES WITH AUTOMATIC MOUNTING (SMT).
2. SEE JIS C 0806 (PACKING OF ELECTRONIC COMPONENTS ON CONTINUOUS TAPES (SURFACE MOUNTING DEVICES)) FOR SHAPE AND DIMENSIONS OF PLASTIC (EMBOSS) TAPE AND REEL.
3. THIS DIMENSION IS PORTION OF THE CORE.

REV.	DATE	REVISED DESCRIPTION	APPROVED	APPROVED	SCALE	UNIT	mm	PRODUCT NAME	PLASTIC TAPE PACKAGED BOARD TO BOARD RECEPTACLE CONNECTOR
4					SCALE	UNIT	mm	PRODUCT NAME	PLASTIC TAPE PACKAGED BOARD TO BOARD RECEPTACLE CONNECTOR
3					DESIGNED	June 10, 1999		CAT. NO.	BTFW__R-3RSTE1
2					DRAWN	M.Koga		DWG. NO.	JSA 95033
1	Sep. 28 2000	CHANGED TAPE WIDTH	<i>mk</i>	<i>S.N</i>	CHECKED				REV. 1

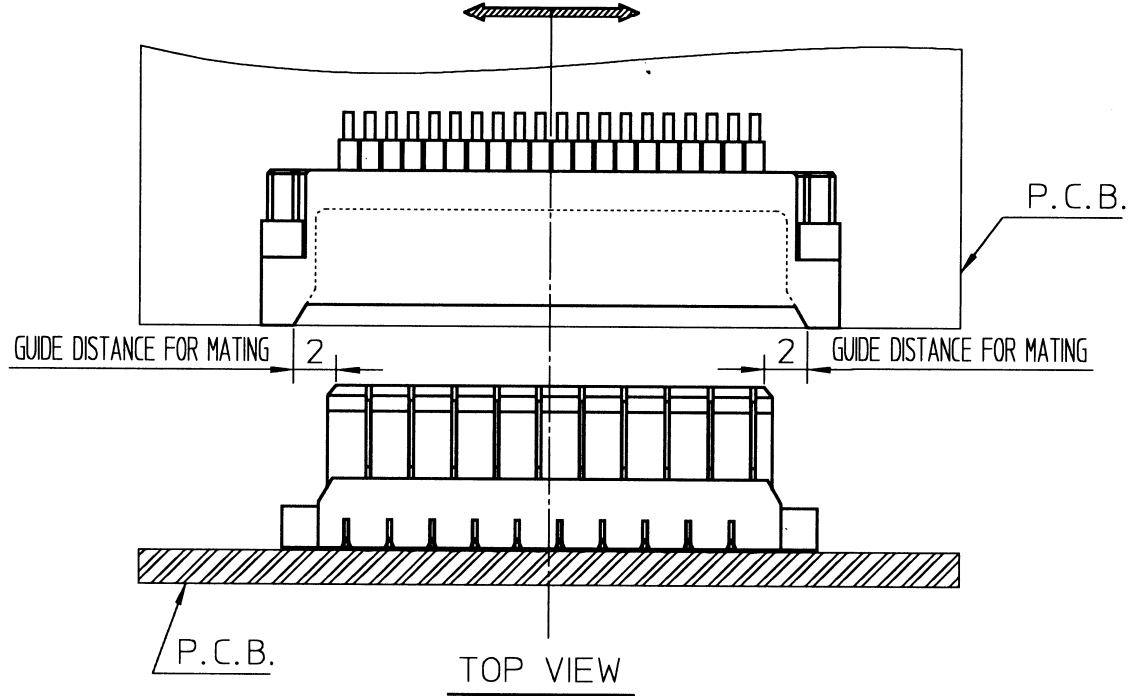


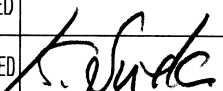

THIS FIGURE SHOW THE CONNECTOR MATING BY MAKING CENTER AS CRITERIA.

FLOATING ALLOWANCE MATING DIRECTION : ± 0.5
 PITCH DIRECTION : ± 0.8
 Z DIRECTION : ± 0.5



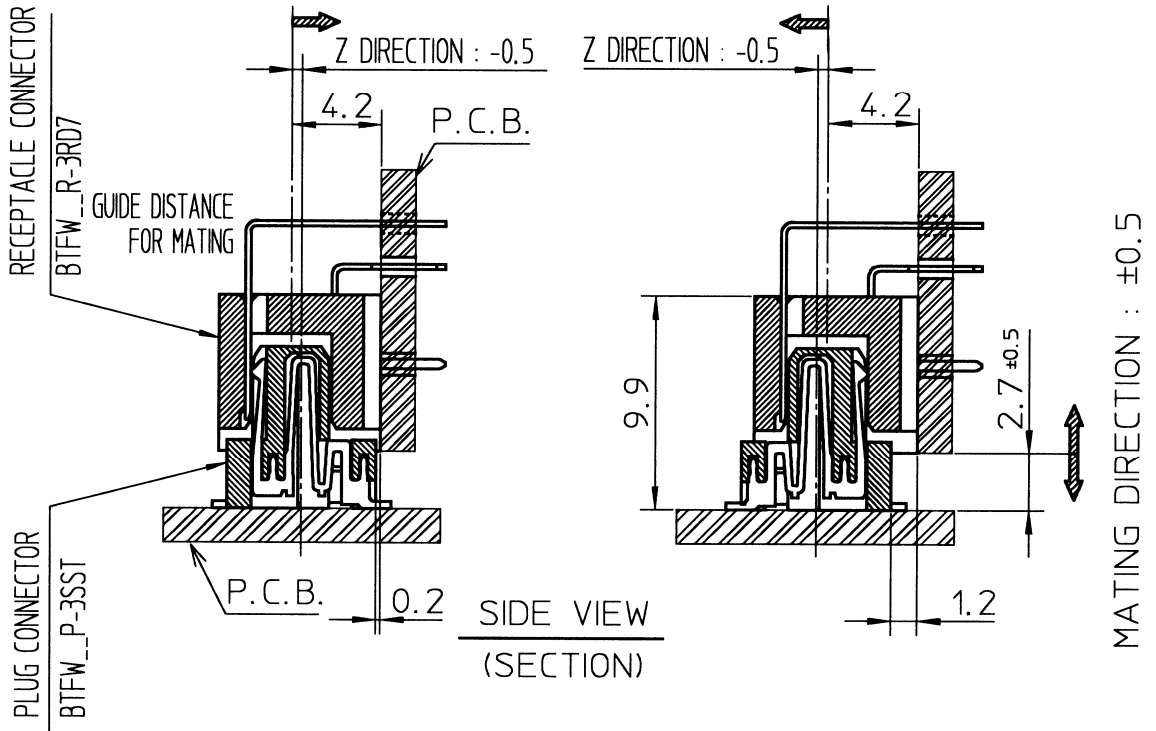
PITCH DIRECTION : ± 0.8



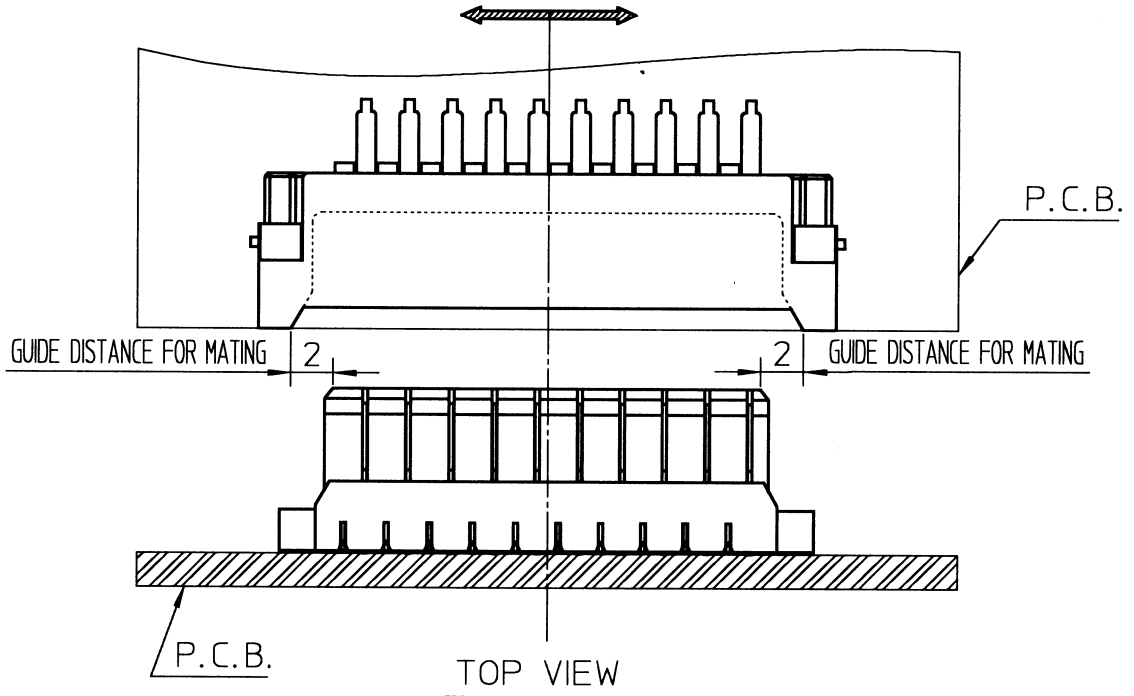
4			SCALE	\times	UNIT	mm	PRODUCT NAME	CROSS SECTION OF MATED CONDITION	
3			DESIGNED				CAT. NO.	BTFW_P-3SST/ BTFW_R-3RST	
2			DRAWN				DWG. NO.	JSA 94532	REV. 0
1			CHECKED						
REV.	DATE	REVISED DESCRIPTION	APPROVED	APPROVED					

THIS FIGURE SHOW THE CONNECTOR MATING BY MAKING CENTER AS CRITERIA.

FLOATING ALLOWANCE MATING DIRECTION : ± 0.5
 PITCH DIRECTION : ± 0.8
 Z DIRECTION : ± 0.5



PITCH DIRECTION : ± 0.8



4				SCALE	\times	UNIT	mm	PRODUCT NAME	CROSS SECTION OF MATED CONDITION		
3				DESIGNED				CAT. NO.	BTFW_P-3SST/ BTFW_R-3RD7		
2				DRAWN				DWG. NO.	JSA 95032	REV. 0	
1				CHECKED							
REV.	DATE	REVISED DESCRIPTION	APPROVED	APPROVED	[Signature]						