

DETAILS

Product Number	C11891_STRADA-SQ-T-DW
Family	Strada
Type	Lens
Color	clear
Diameter	25 + 25 mm
Height	12,5 mm
Style	square
Optic Material	PMMA
Holder Material	
Fastening	pin, screw, glue
Status	production ready
ROHS Compliant	Yes
Date Updated	3/12/2015



OPTICAL PROPERTIES

LED	Viewing Angle	Light Beam	Efficiency	cd/lm	Connector
XM-L	Asymmetric deg	Streetligh...	92 %	-	-
XT-E	Asymmetric deg	Streetligh...	-	-	-
XP-G2	asymmetric deg	Streetligh...	93 %	1.400	-
XP-L	sim: Asymmetri	Streetligh...	sim: 91 %	-	-
XP-L2	Asymmetric deg	Streetligh...	94 %	0.900	-

D

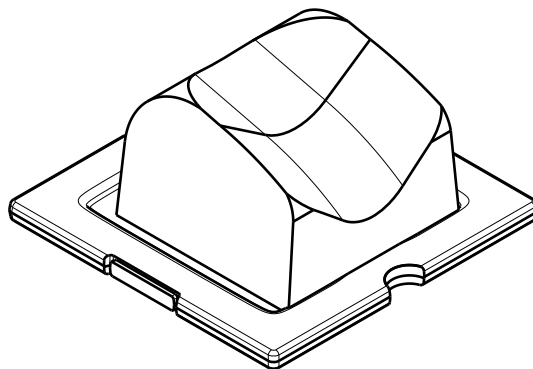
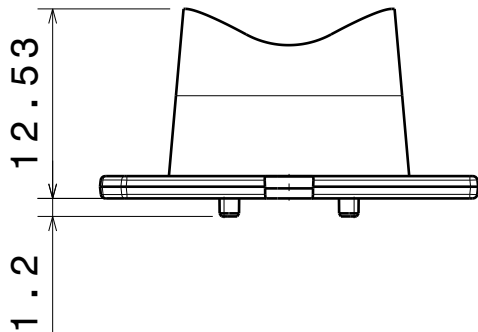
C

B

A

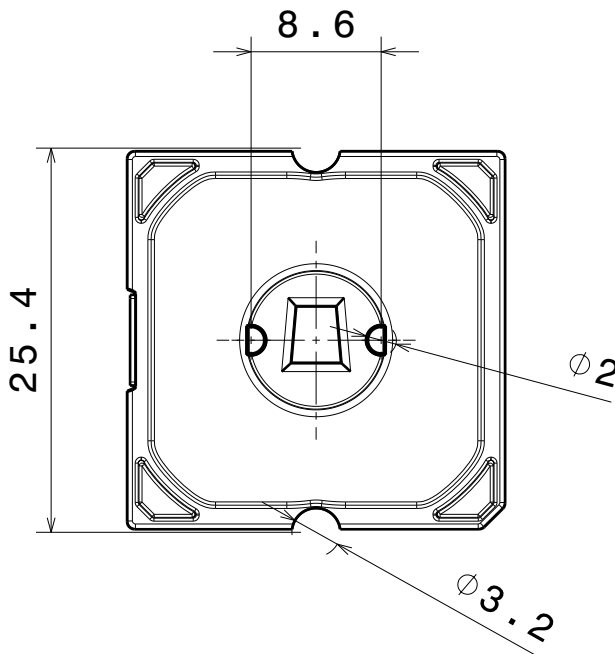
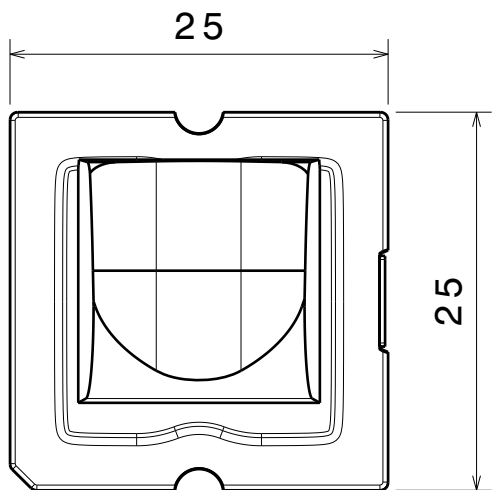
4

4



3

3



2

2

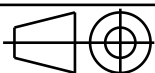
INDEX	PART NO	DESCRIPTION	MATERIAL	COLOUR
1	C11891	STRADA-SQ-T-DW	PMMA	

Tolerances if not otherwise shown
According to DIN ISO 2768-1
Linear measures:
up to 30mm class M, otherwise class C
According to DIN ISO 2768-2
Form and position: class L

LEDiL

Ledil Oy
Salorankatu 10
FIN 24240 SALO
Finland

THIRD ANGLE PROJECTION:



DRAWING TITLE

C11891_STRADA-SQ-T-DW

This drawing is the property
of LEDiL Oy. It may not be
reproduced, copied or
communicated without a written
agreement with LEDiL Oy.

SIZE	PART NUMBER
A4	C11891

SCALE	WEIGHT	SHEET
2:1	2,1 g	1/1

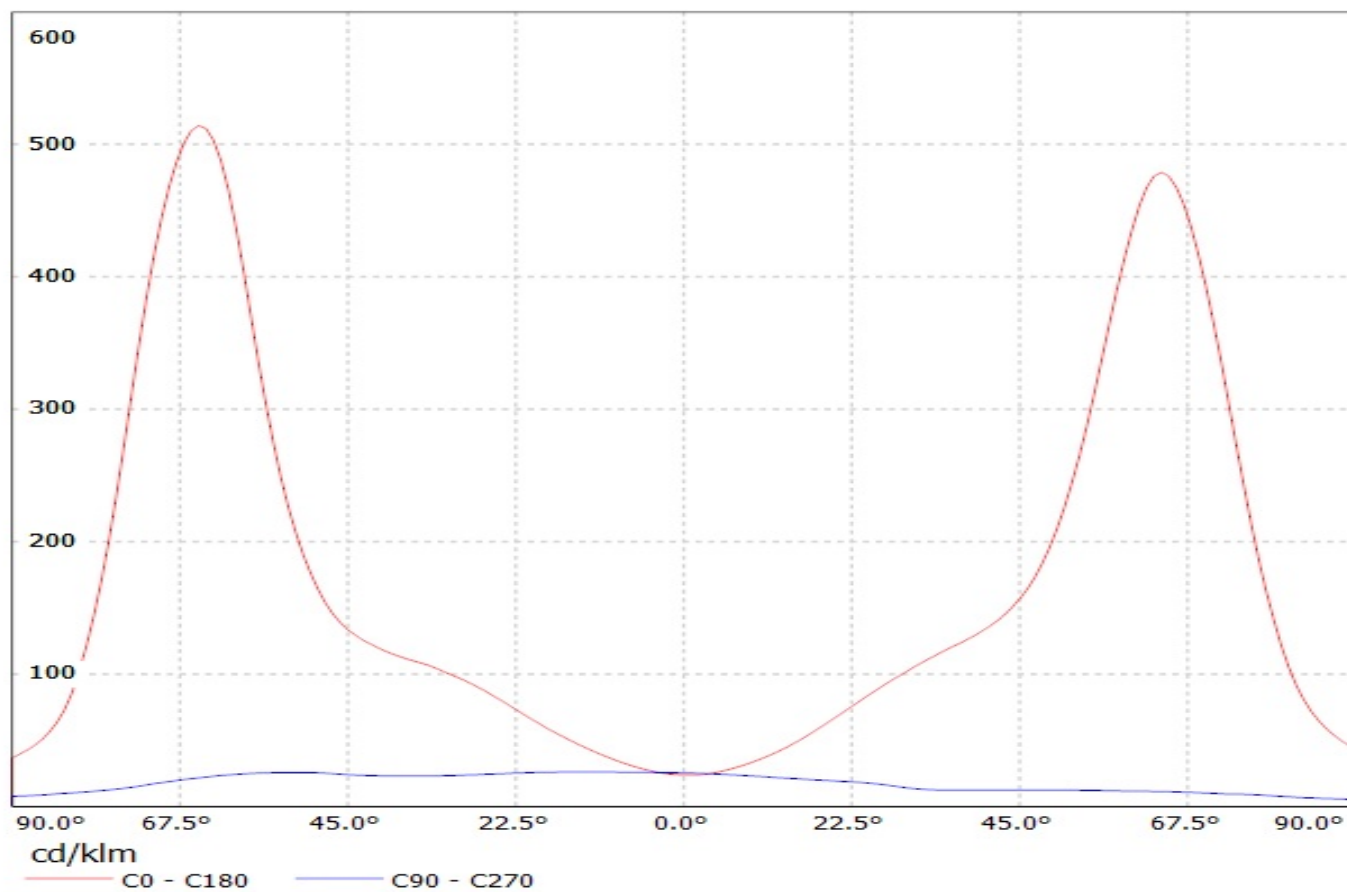
D

A

1

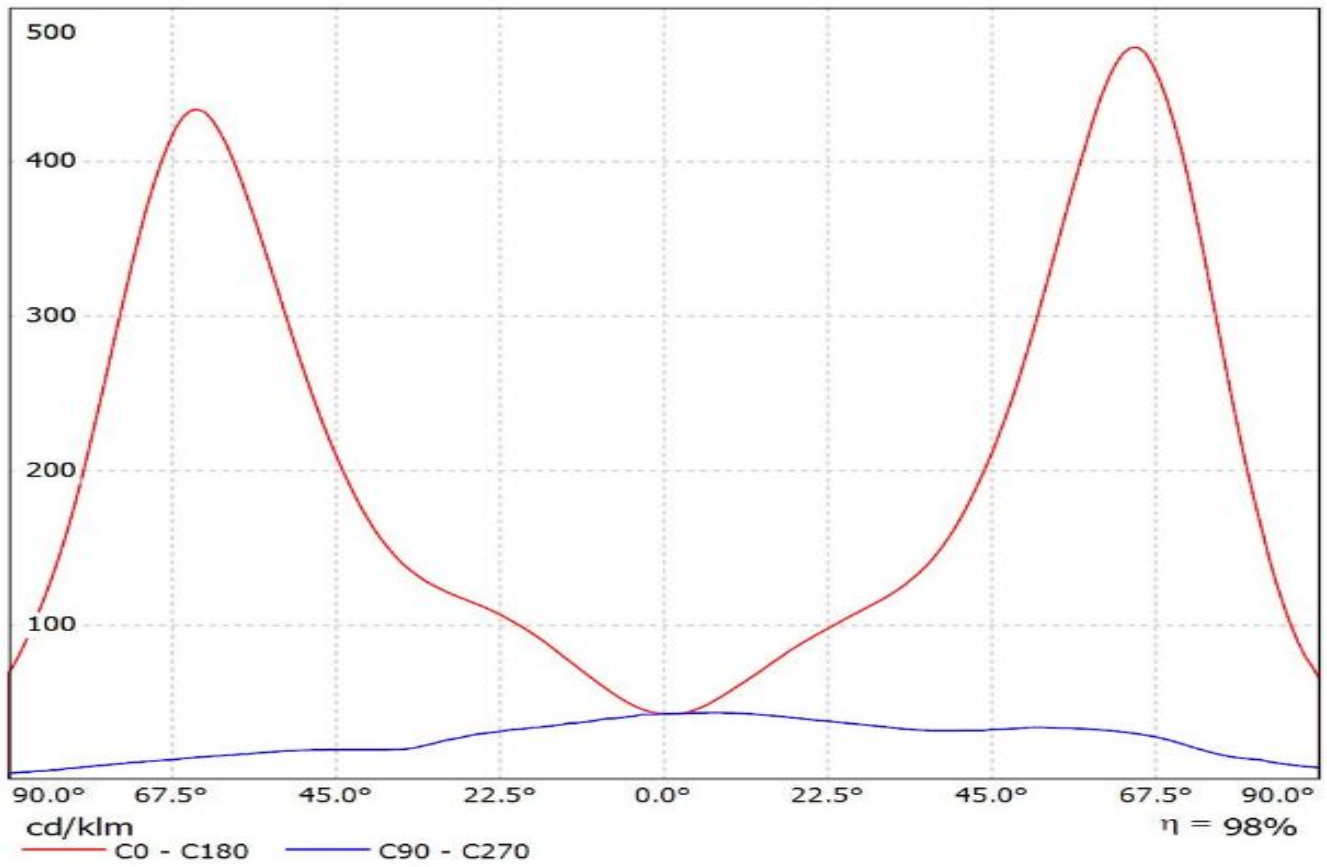
1

Luminaire: LEDiL Oy C11891_STRADA-SQ-T-DW_(XP-G2) Eff: 93%
Lamps: 1 x CREE_XP-G2_(XPGBWT-H1-7B4-R4-0-04)_106.35lm@250mA_P=0.755748W_I=249.9mA



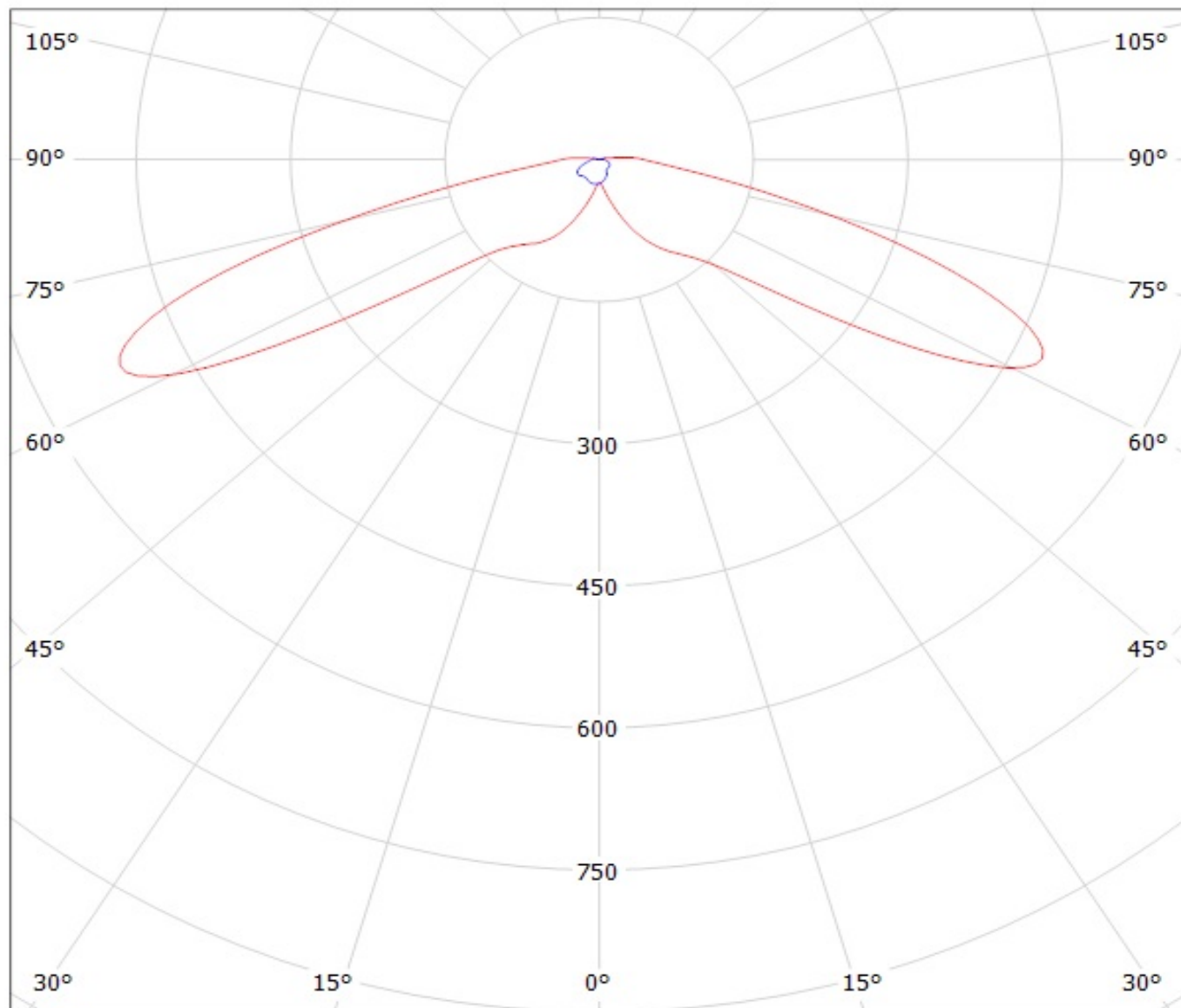
Luminaire: Ledil C11891_STRADA-SQ-T-DW_(XP-L2)

Lamps: 1 x Cree_XP-L2_(XPLWT-00-0000-000HU630G)_115.75lm@250mA_P=0.721375W_I=0.25A



Luminaire: LEDiL Oy C11891_STRADA-SQ-T-DW_(XP-G2) Eff: 93%

Lamps: 1 x CREE_XP-G2_(XPGBWT-H1-7B4-R4-0-04)_106.35lm@250mA_P=0.755748W_I=249.9mA



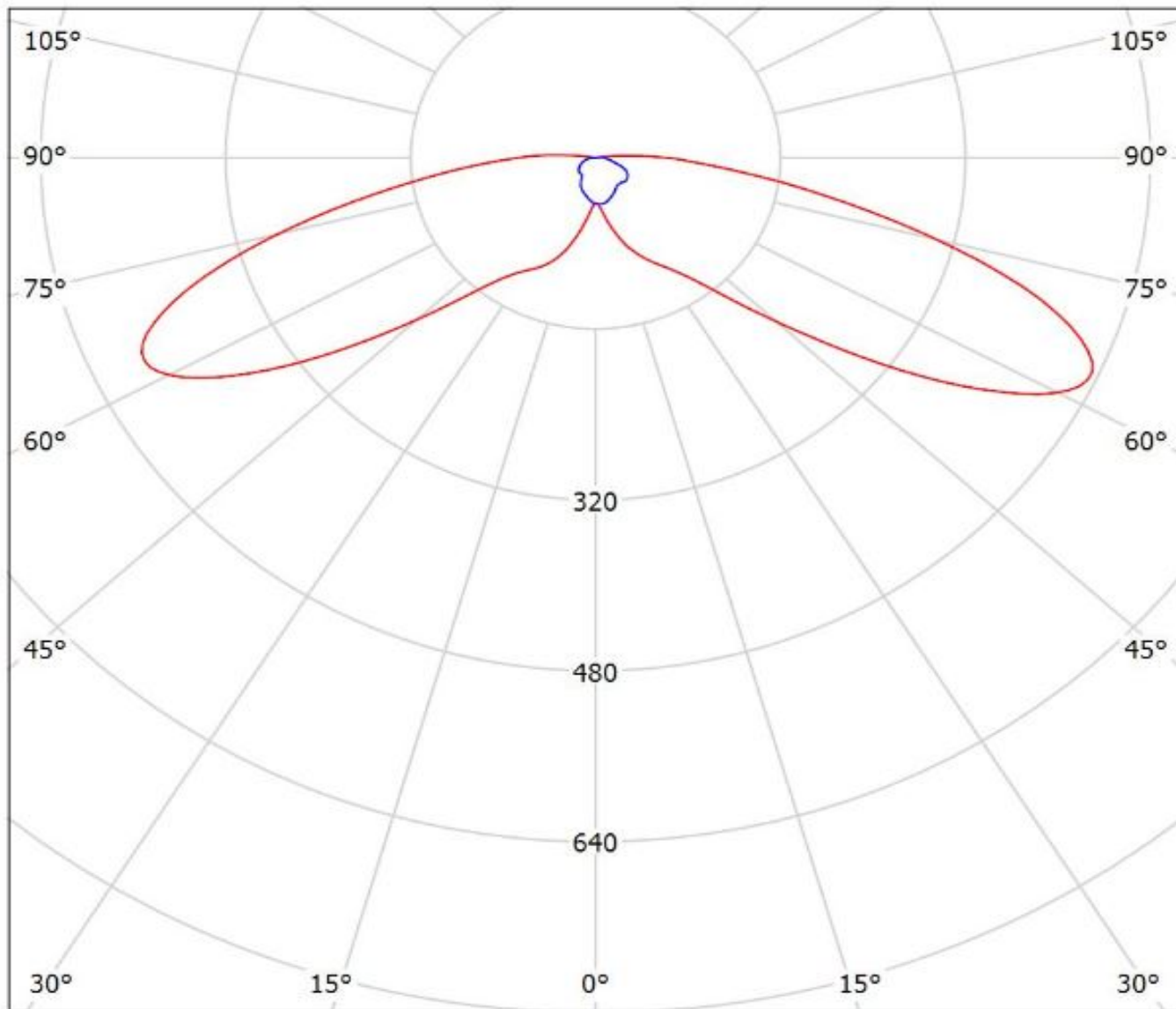
cd/klm

— C0 - C180

— C90 - C270

Luminaire: Ledil C11891_STRADA-SQ-T-DW_(XP-L2)

Lamps: 1 x Cree_XP-L2_(XPLWT-00-0000-000HU630G)_115.75lm@250mA_P=0.721375W_I=0.25A



cd/klm

— C0 - C180

— C90 - C270

$\eta = 98\%$

NOTE: The typical divergence will be changed by different color, chip size and chip position tolerance. The typical total divergence is the full angle measured where the luminous intensity is half of the peak value.