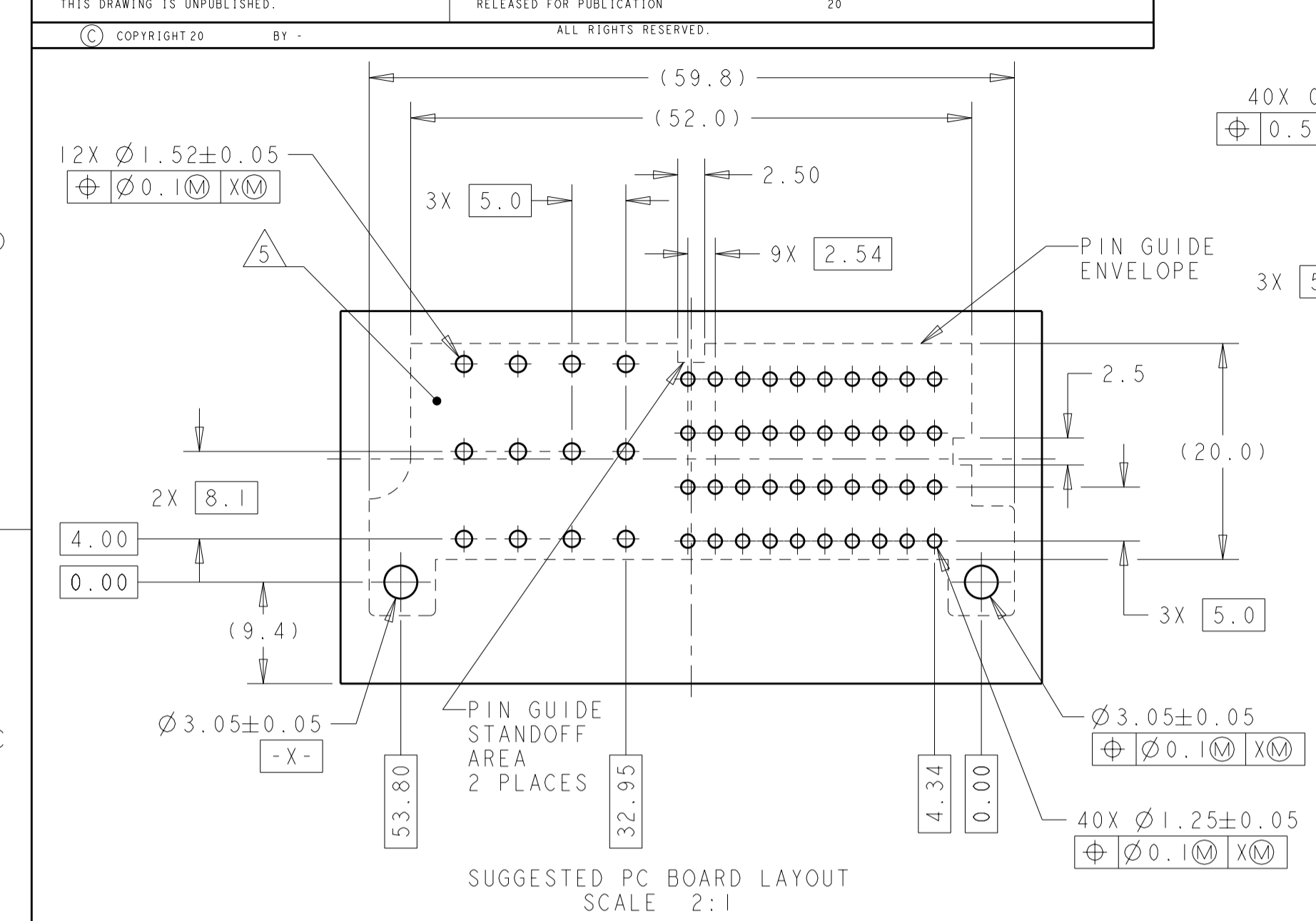
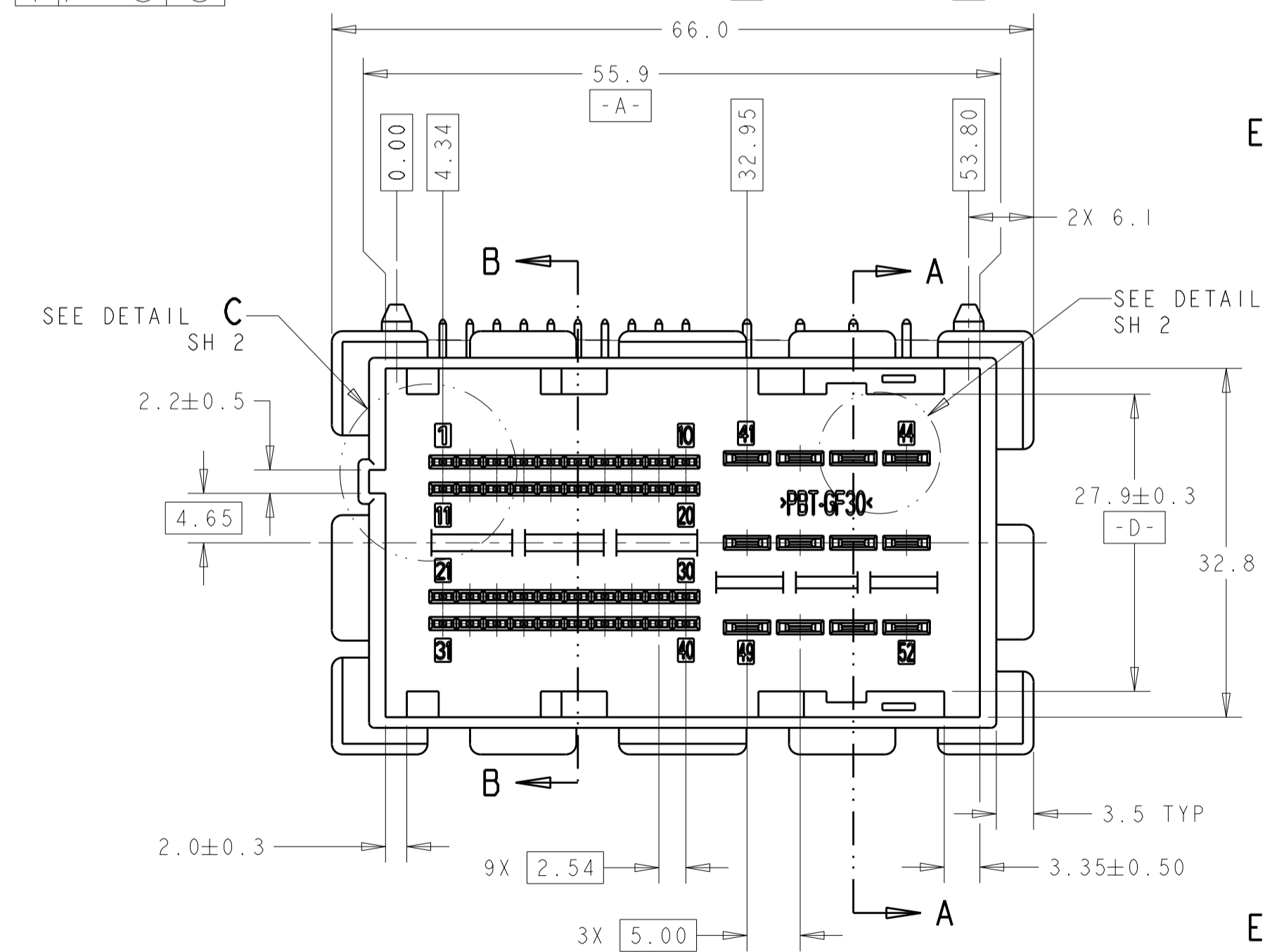
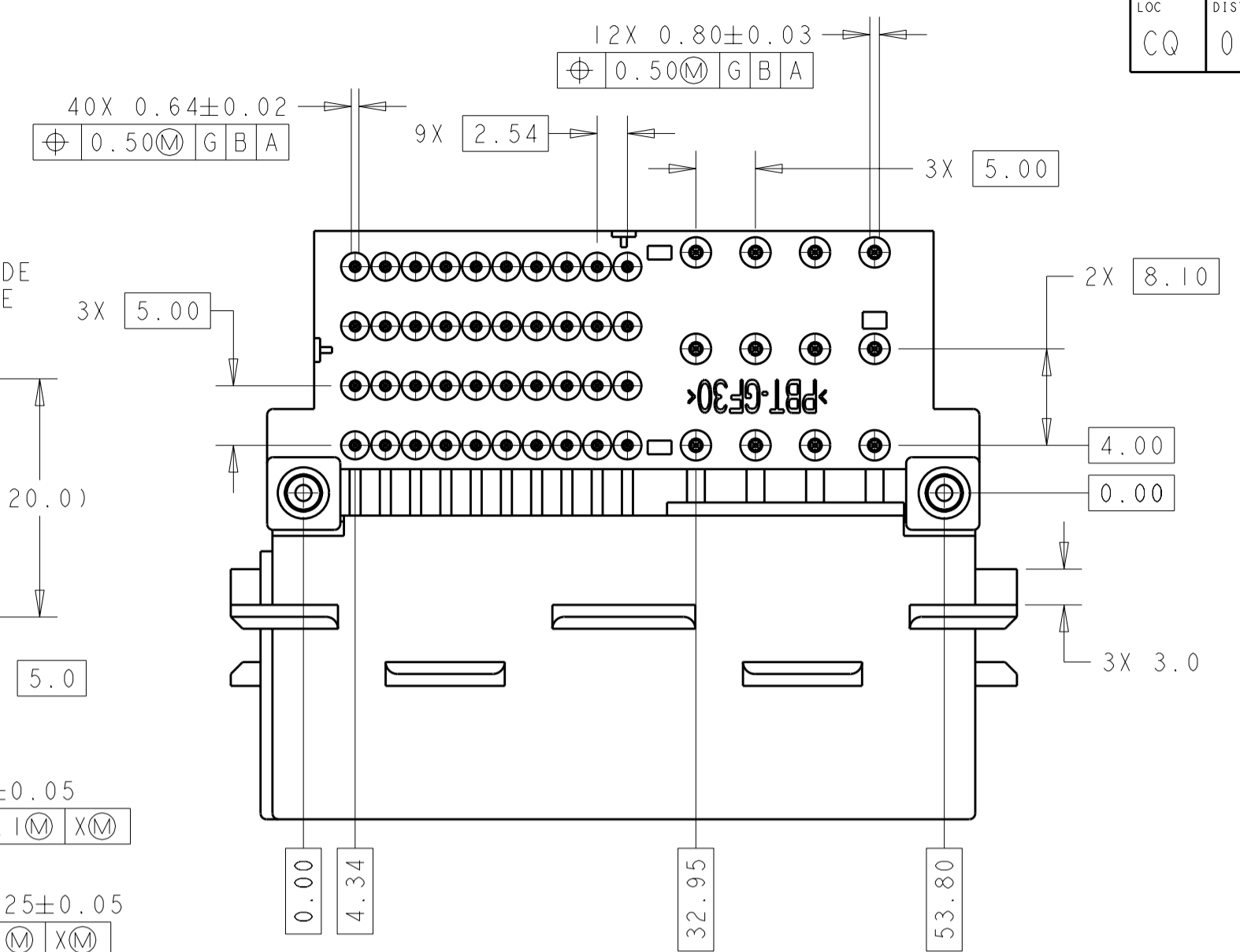
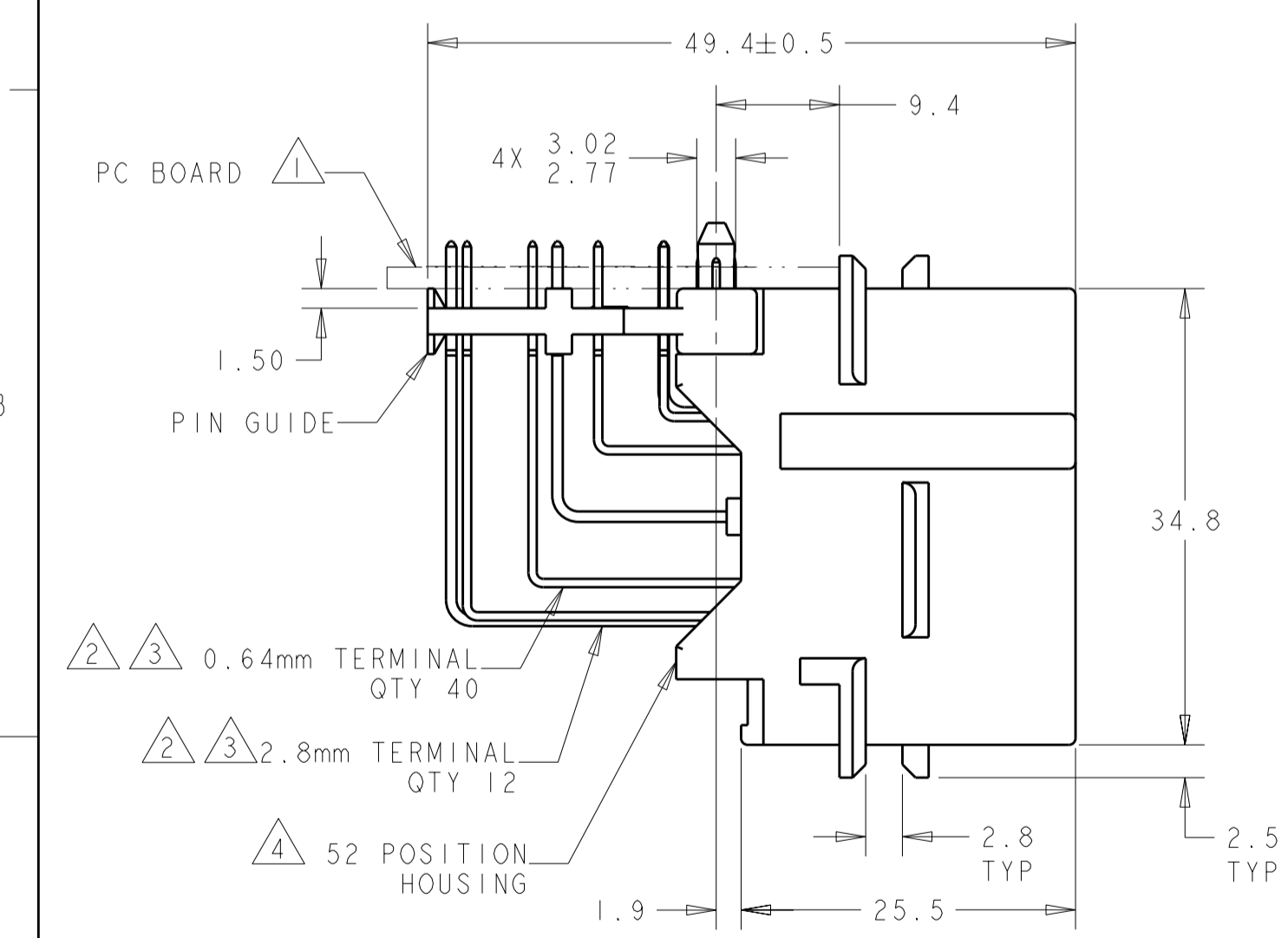


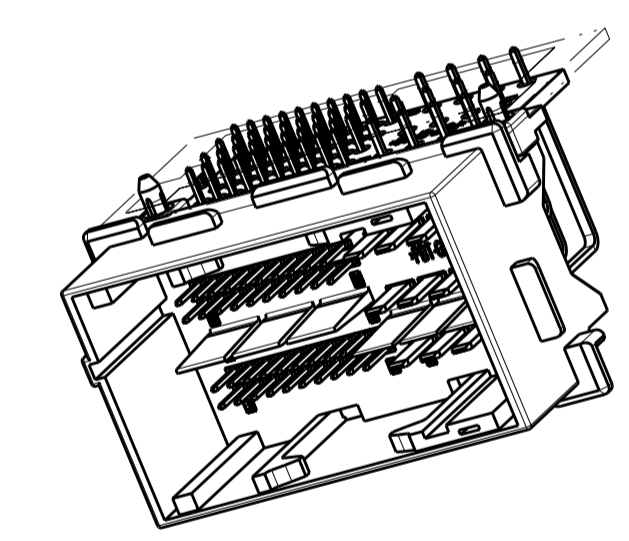
REVISIONS					
P	LTR	DESCRIPTION	DATE	DWN	APVD
E		REVISED PER ECO-11-016864	22AUG2011	DD	RL



SUGGESTED PC BOARD LAYOUT  
SCALE 2:1



- 1 PC BOARD SUPPLIED BY CUSTOMER.
- 2 MATERIAL: BRASS, TEMPER H04.
- 3 FINISH: MATING END - 0.0008-0.0016 THICK MATTE TIN PER AMP SPEC 112-65-1. SOLDER TAIL - 0.0038 - 0.0064 THICK MATTE TIN PER AMP SPEC 112-65-1 ALL OVER 0.0020 MINIMUM NICKEL PER AMP SPEC 112-25-2.
- 4 MATERIAL: 30% GLASS FILLED BASF PBT.
- 5 CLEARANCE BETWEEN PC BOARD AND PIN GUIDE IS 1.75mm IN THIS AREA.
- 6. MINIMUM PIN RETENTION REQUIREMENT IN BOTH DIRECTIONS SHALL BE 3 TIMES THE MAXIMUM TERMINAL SEPARATION FORCE AFTER BUYER'S SOLDERING PROCESS PER DVP&R.
- 7. AS STITCHED, MINIMUM PIN RETENTION IN BOTH DIRECTIONS SHALL BE 40N.



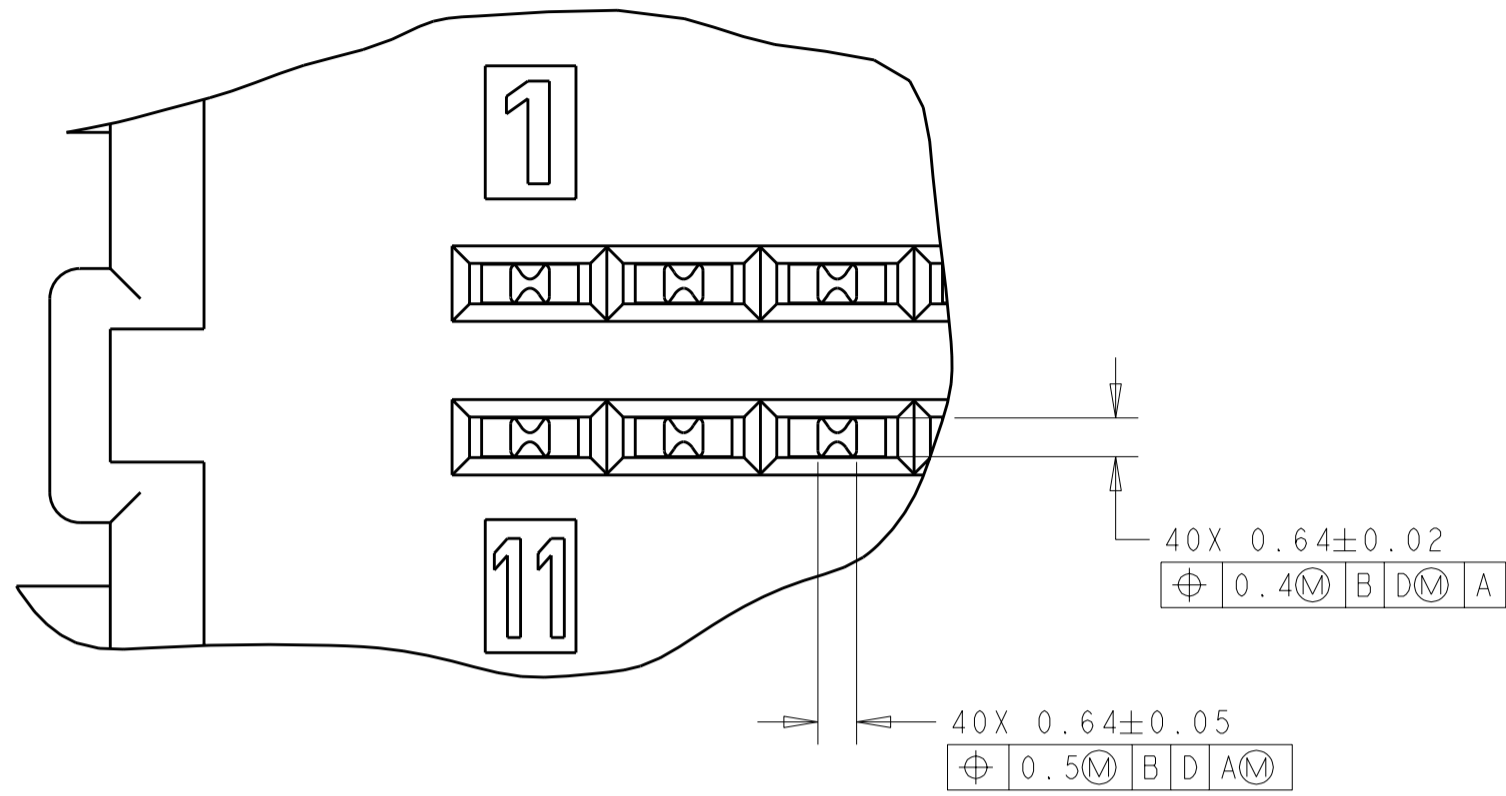
SCALE 1:1

1438527-1  
PART NUMBER

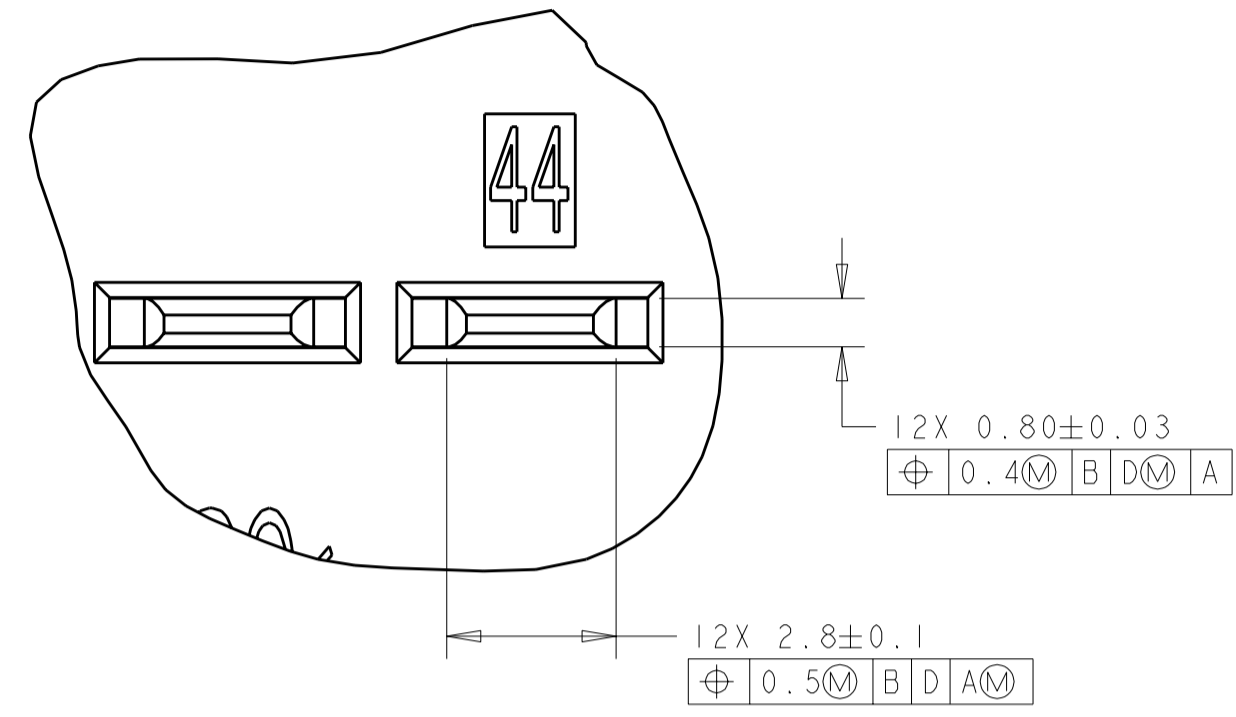
THIS DRAWING IS A CONTROLLED DOCUMENT.		DWN R. VESTAL 18MAR2004	TE Connectivity	
DIMENSIONS: mm		CHK A. EBRAHEEM 18MAR2004		
TOLERANCES UNLESS OTHERWISE SPECIFIED:		APVD A. EBRAHEEM 18MAR2004	NAME	
0 PLC ±0.5		PRODUCT SPEC	HEADER ASSEMBLY, 52 POSITION, 0.64mm AND 2.8mm	
1 PLC ±0.3		APPLICATION SPEC	SIZE	RESTRICTED TO
2 PLC ±0.10		WEIGHT	A200779	
3 PLC ±		CUSTOMER DRAWING	C=1438527	
4 PLC ±		SCALE 2:1	SHEET 1 OF 2	REV E
ANGLES ±				
FINISH ±				

THIS DRAWING IS UNPUBLISHED. RELEASED FOR PUBLICATION 20  
 © COPYRIGHT 20 BY - ALL RIGHTS RESERVED.

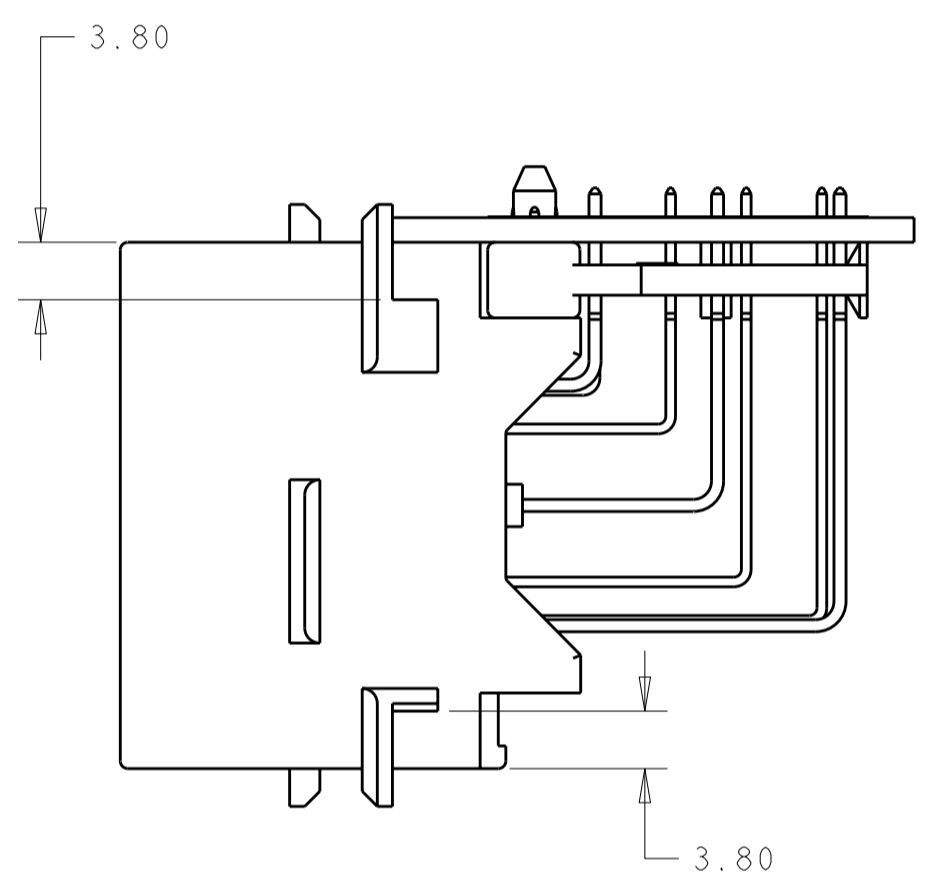
LOC	DIST	REVISIONS			
P	LTR	DESCRIPTION	DATE	DWN	APVD
CQ	00	-	-	-	-
		SEE SHEET 1			



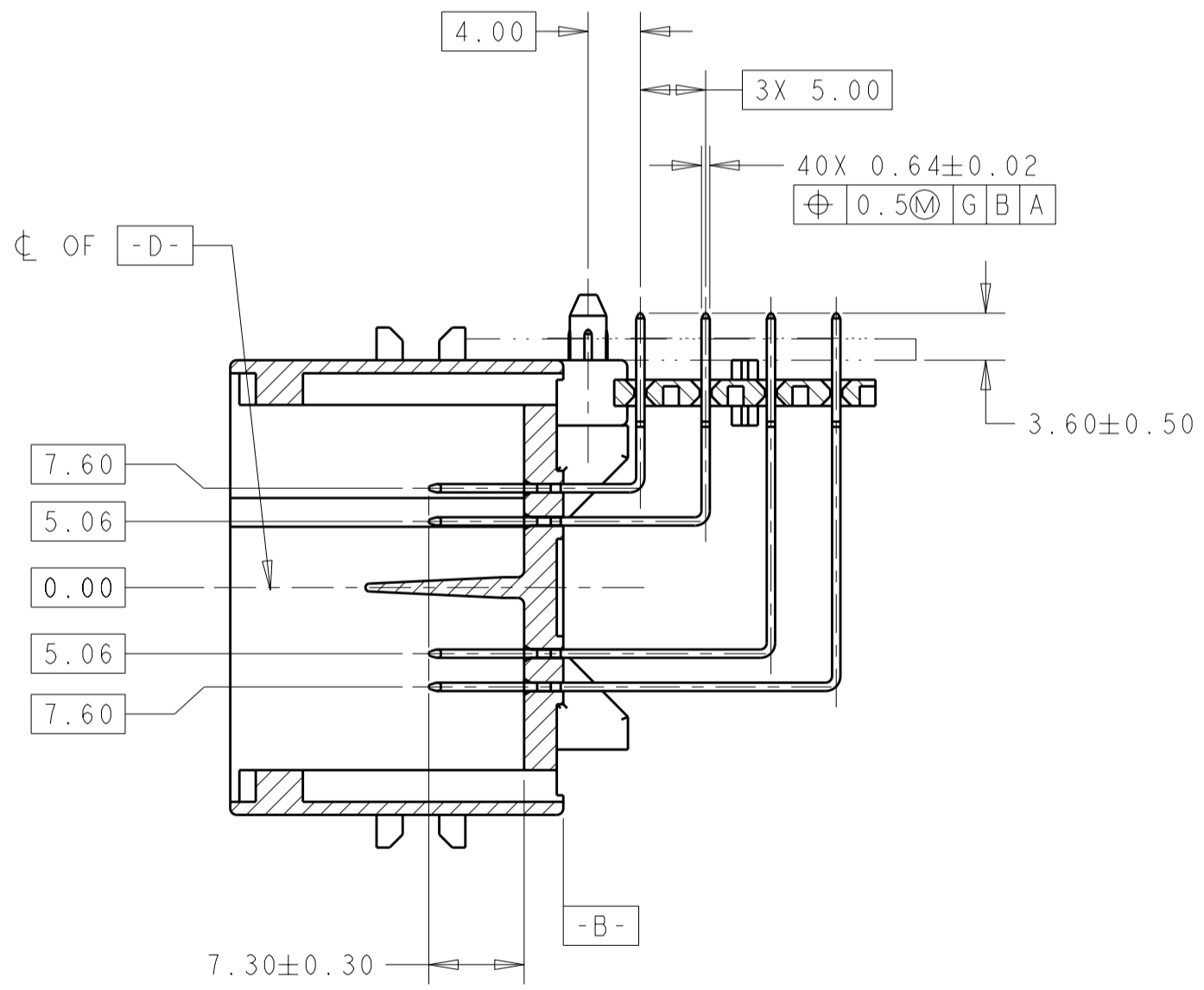
DETAIL C  
SCALE 8:1



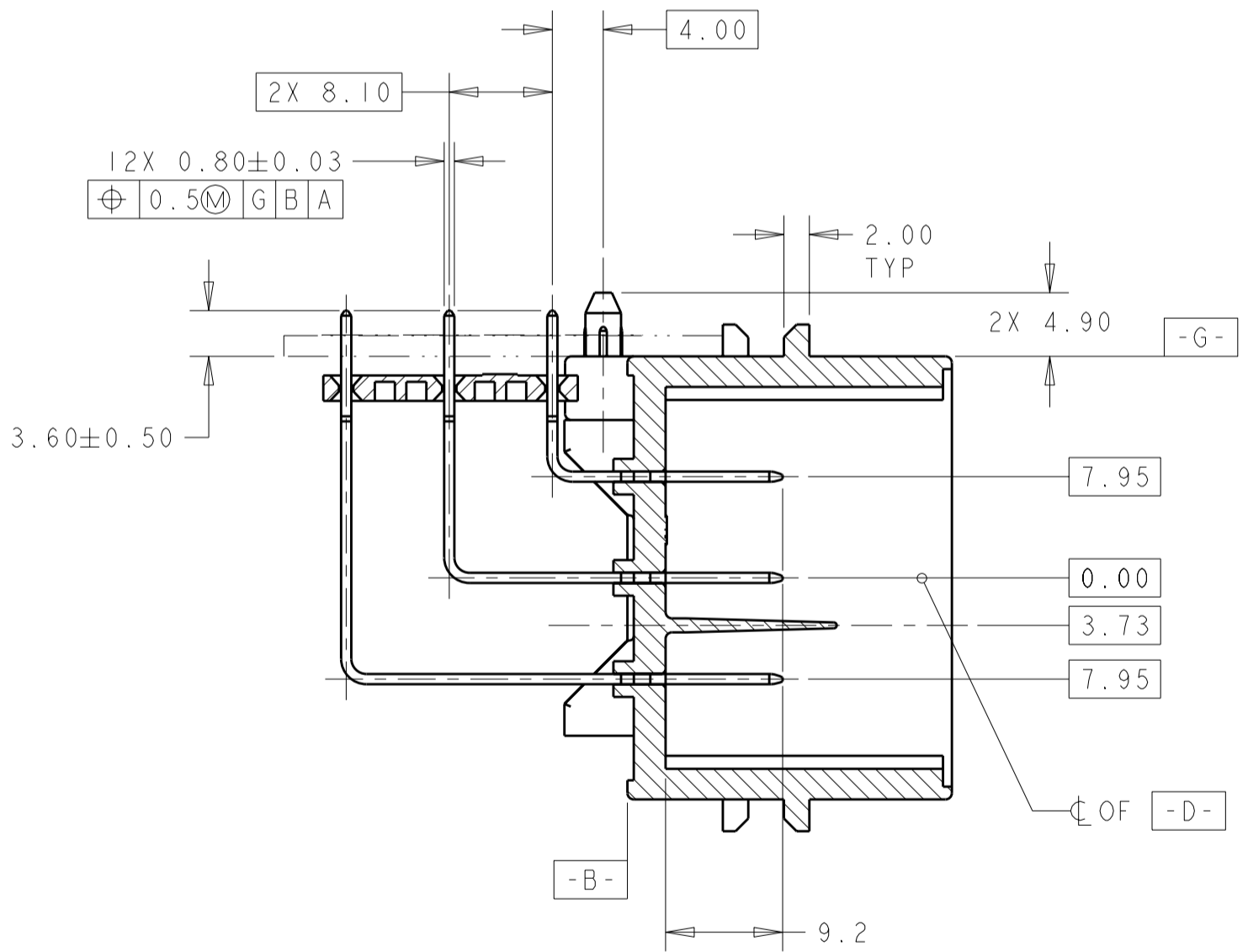
DETAIL D  
SCALE 8:1



VIEW E-E



SECTION B-B  
THROUGH 0.64mm BLADES



SECTION A-A  
THROUGH 2.8mm BLADES

THIS DRAWING IS A CONTROLLED DOCUMENT.		DWN R. VESTAL 18MAR2004	TE Connectivity	
DIMENSIONS: mm		CHK A. EBRAHEEM 18MAR2004		
TOLERANCES UNLESS OTHERWISE SPECIFIED:		APVD A. EBRAHEEM 18MAR2004	NAME HEADER ASSEMBLY, 52 POSITION, 0.64mm AND 2.8mm	
0 PLC ±0.5 1 PLC ±0.3 2 PLC ±0.10 3 PLC ± 4 PLC ± ANGLES ± FINISH ±		PRODUCT SPEC -	SIZE A200779	DRAWING NO C-1438527
MATERIAL -		APPLICATION SPEC -	RESTRICTED TO -	SCALE 2:1
CUSTOMER DRAWING		WEIGHT -	SHEET 2	OF 2
		REV E		