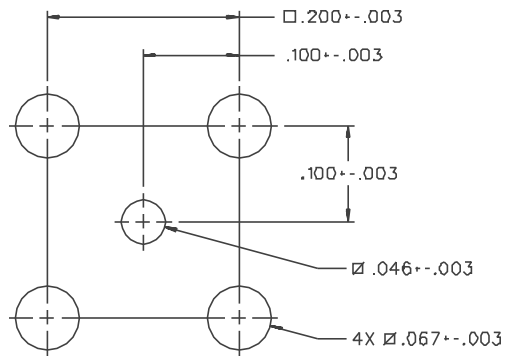
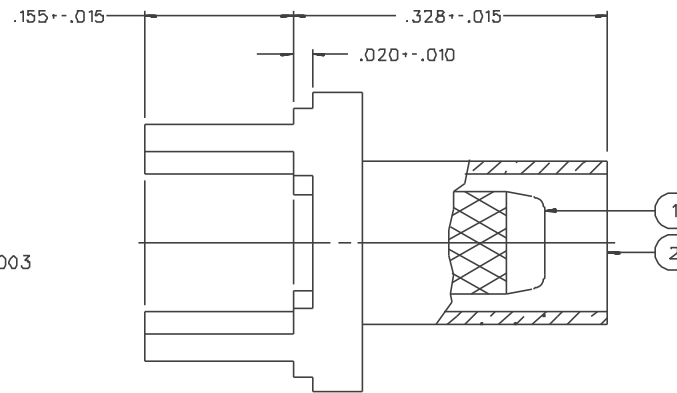
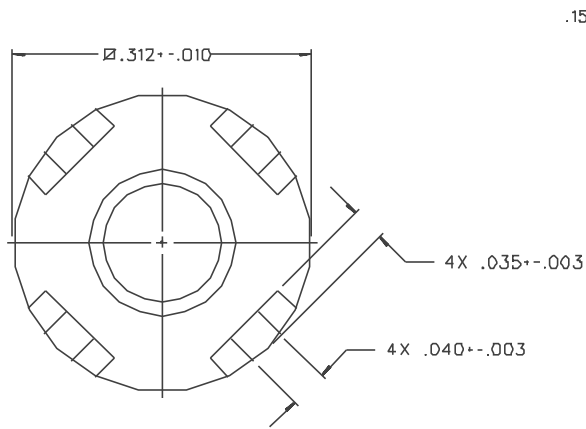
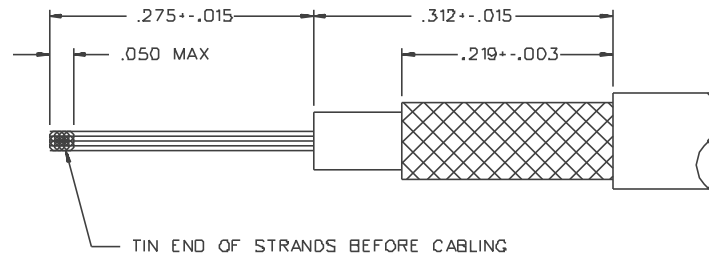


| PART NUMBER | ITEM ① BODY | ITEM ② CRIMP SLEEVE |
|--------------|---|--|
| 142-0004-2D1 | BRASS GOLD PL .00001 MIN OVER NICKEL PL .00005 MIN OVER COPPER PL .00005 MIN | COPPER GOLD PL .00001 MIN OVER NICKEL PL .00005 MIN OVER COPPER PL .00005 MIN |
| 142-0004-2D6 | BRASS NICKEL PL .0001 MIN OVER COPPER PL .00005 MIN | COPPER NICKEL PL .0001 MIN OVER COPPER PL .00005 MIN |

| | |
|-------------------------------------|---------------------------|
| DRAWING NO. C - 142-0004-201/210 | |
| 0 | REVISIONS |
| ENGINEERING RELEASE | |
| 1 | 6-12-92 R H A B ECO 41081 |



MOUNTING HOLE LAYOUT



CABLE STRIP DIMENSIONS

CUSTOMER DRAWING

THIS DRAWING TO BE INTERPRETED
PER ANSI Y 14.5M - 1982

"μSTATION"

COMPANY CONFIDENTIAL

NOTES:

- SPECIFICATIONS:
CABLE ACCEPTABILITY: RG 316/U DOUBLE SHIELDED
RG 188/U DOUBLE SHIELDED
CABLE HCX CRIMP SIZE: .151
CABLE RETENTION: 20 LBS
IMPEDANCE: 50 OHMS

| | | | |
|--------------------------------------|------------------------|-----------------|--|
| TOLERANCE UNLESS OTHERWISE SPECIFIED | DRAWN BY VET | DATE 5-8-92 | Cinch Connectivity Solutions 299 Johnson Ave. Ste. 100 Waconia, MN 56093 1-800-247-8256 |
| DECIMALS .XX | CHECKED BY VET | DATE 6-15-92 | |
| MATL | APPROVED BY TAK/RJB | DATE 6-15-92 | TITLE CABLE TERMINATION, STRAIGHT PC MOUNT RG 316 DOUBLE SHIELDED |
| FINISH | RELEASE DATE | | CODE NO. DRAWING NO. C - 142-0004-201/210 |
| SCALE 10:1 | | U/M INCH | SHEET 2 OF 2 |