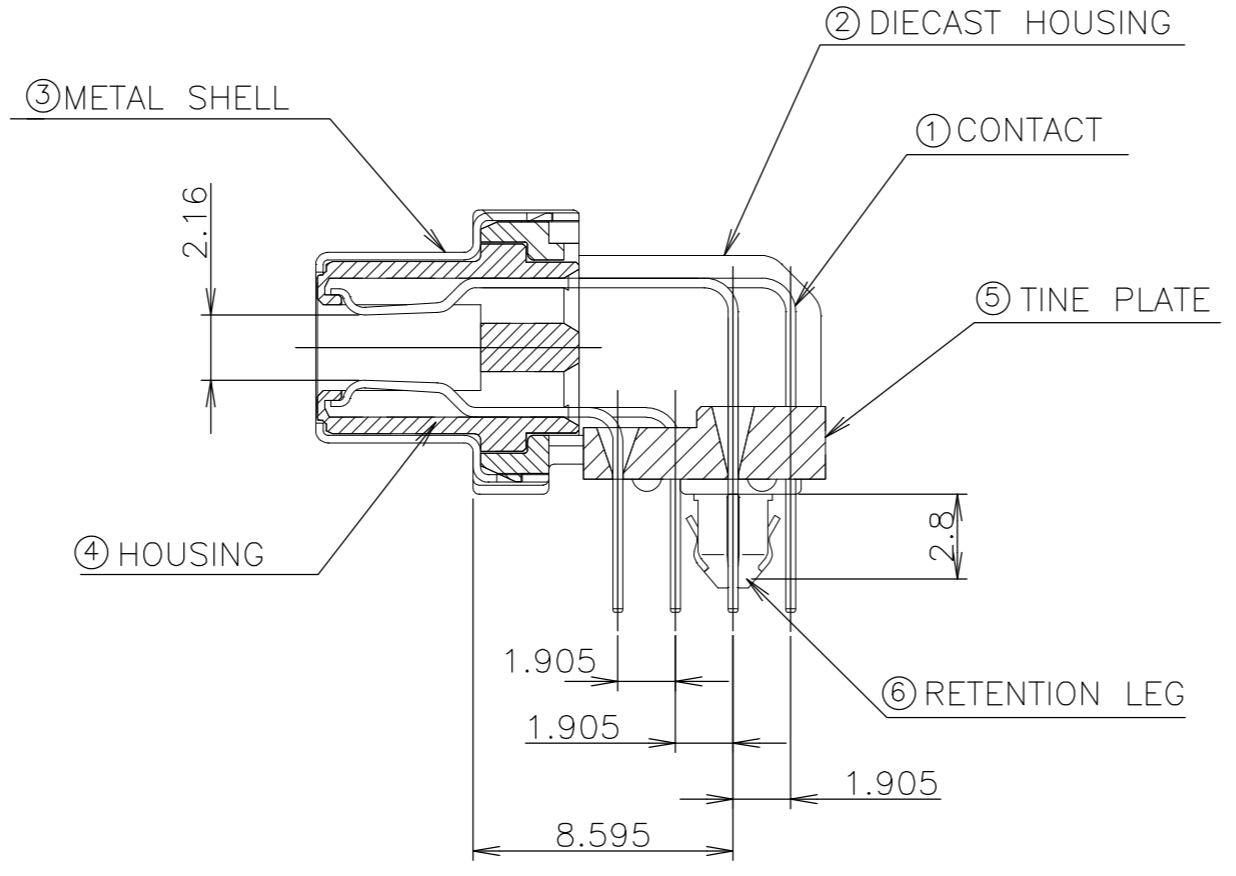
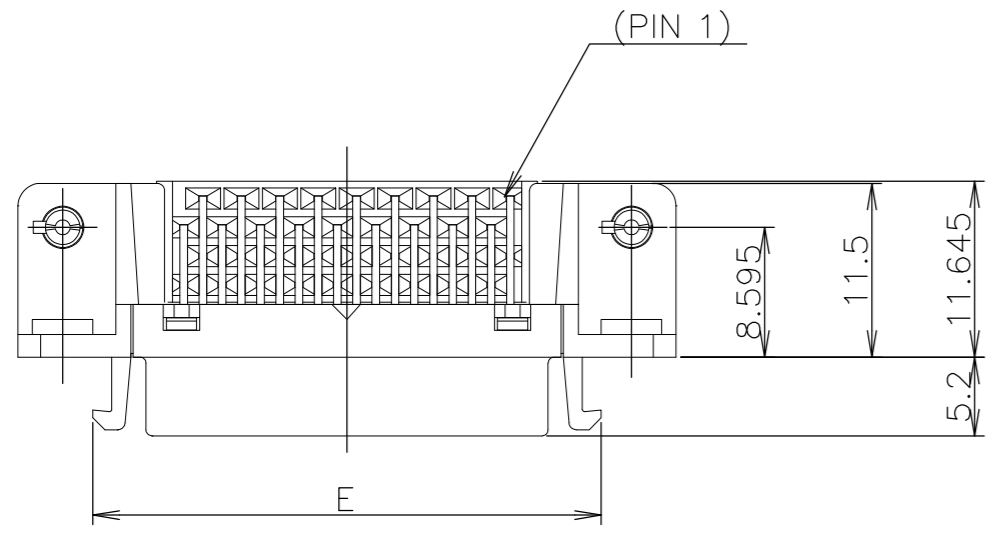
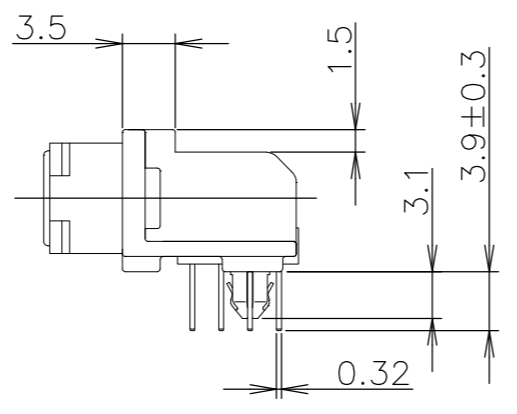
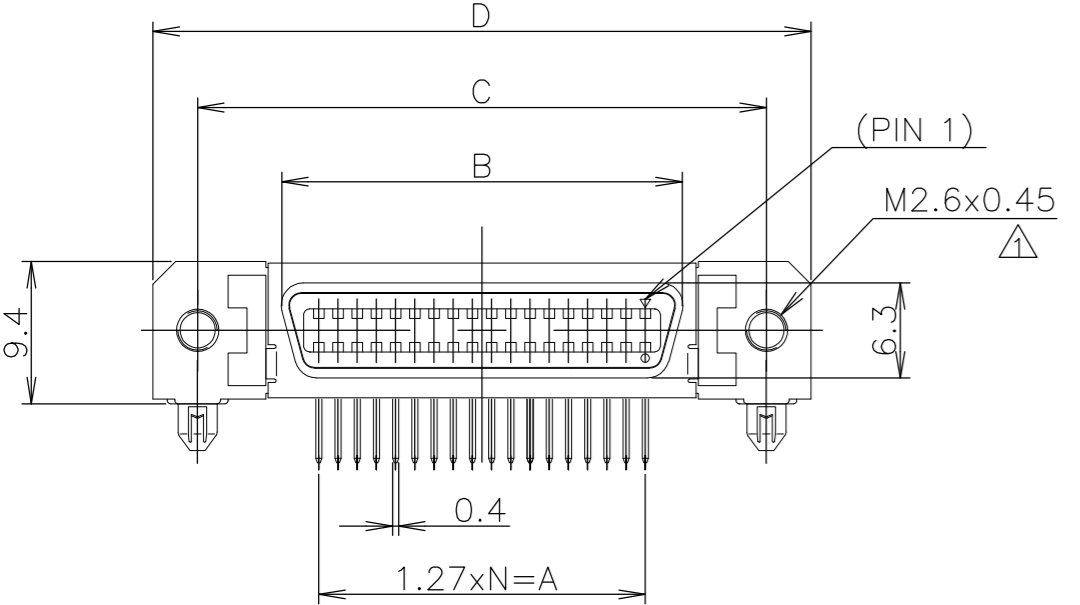


THIS DRAWING IS UNPUBLISHED. RELEASED FOR PUBLICATION MAR, 1991.
 © COPYRIGHT 1991 By - ALL RIGHTS RESERVED.

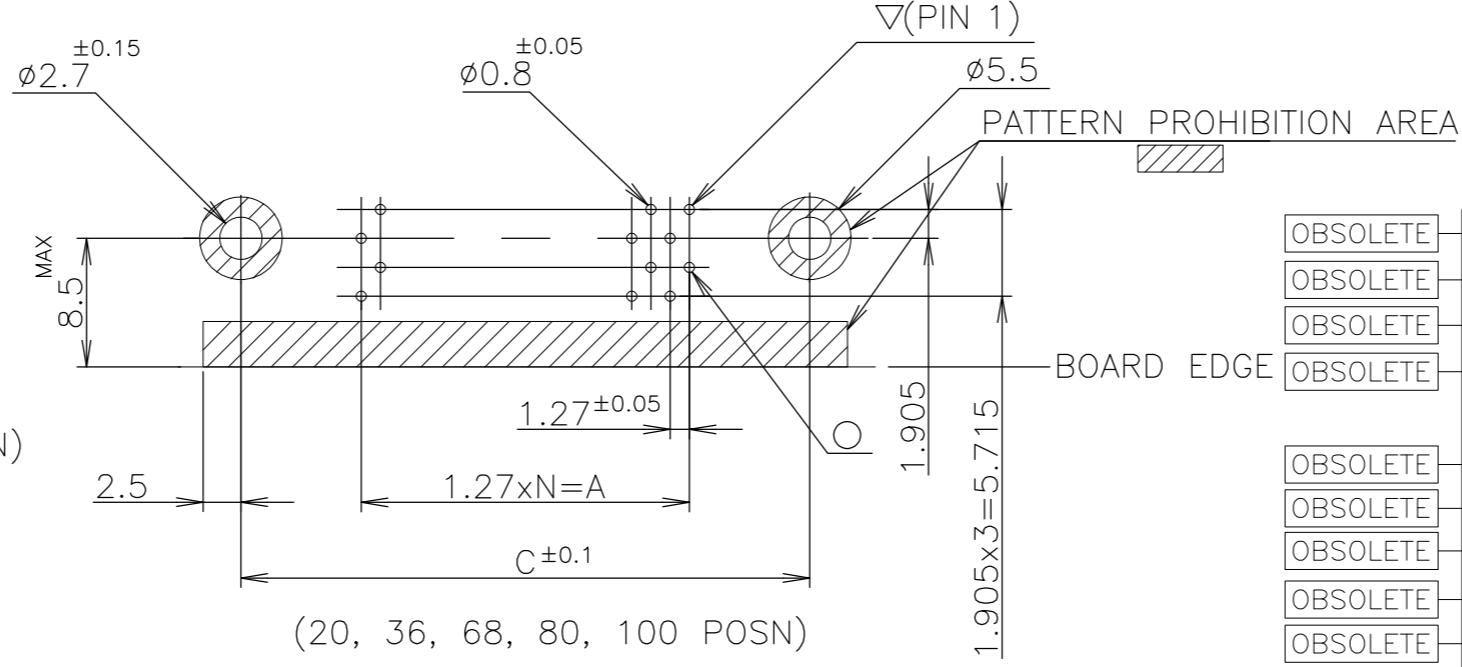
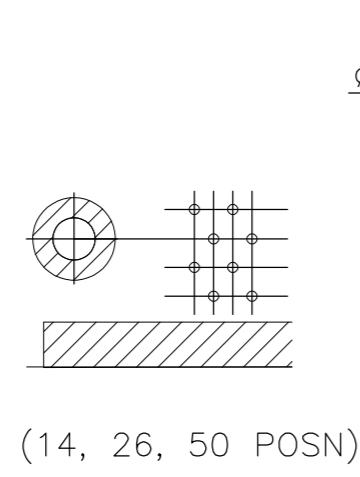
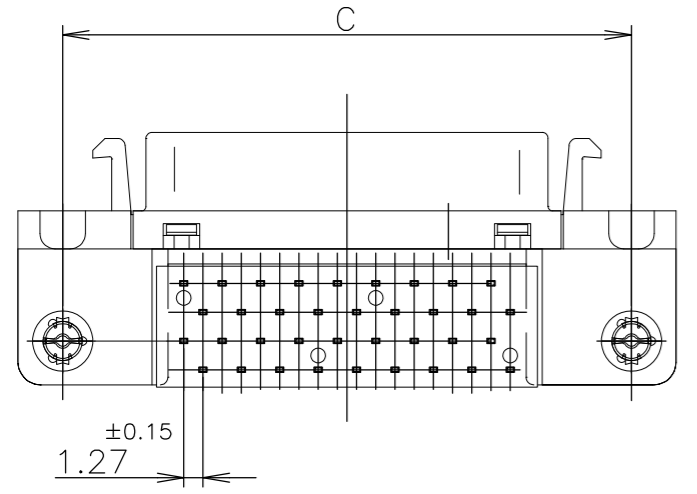
LOC	DIST	REVISED			DATE	DWN	APVD
J		P	LTR	DESCRIPTION			
		E	REVISED	ECO-12-012349	12MAR	BL	AC



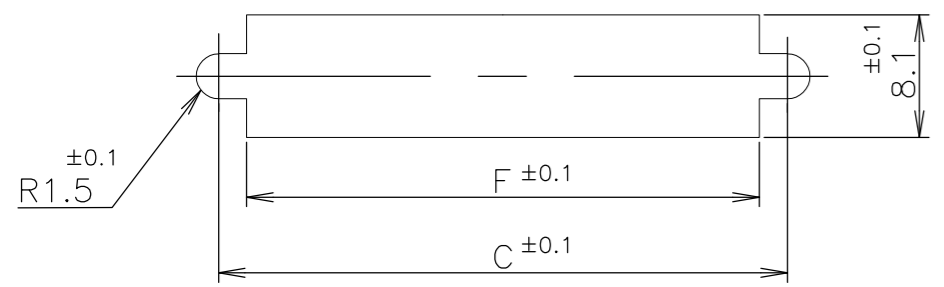
ITEM	MATERIAL	FINISH
①	COPPER ALLOY	NICKEL UNDER PLATE ALL OVER CONTACT AREA ; Au(0.3u,0.76u) SOLDER TINE AREA ; TIN-LEAD PLATE
②	ZINC	NICKEL PLATING
③	STEEL t0.25	NICKEL PLATE OVER COPPER UNDERPLATE
④	THERMO-PLASTIC	COLOR; BLACK
⑥	COPPER ALLOY	TIN-LEAD PLATE OVER NICKEL UNDERPLATE



NOTES:
 1 RECOMMENDED SCREW SIZE ; M2.6 PANHEAD SCREW(L=5)
 2 RECOMMENDED P.C BOARD THICKNESS ; 2.4mm (REF)
 3 CONNECTOR TO BE MATED; 175677
 4 INSERTION FORCE OF RETENTION LEG TO P.C.B; 2.2kg MAX/CONNECTOR.
 5 RETENTIVITY OF RETENTION LEG TO P.C.B; 0.5kg MIN/CONNECTOR.



RECOMMENDED PC BOARD MOUNTING DIMMENSION (COMPONENT SIDE)



RECOMENDED PANEL CUTOUT THK,2mm MAX

OBSOLETE	39	61.9	61.55	71.45	65.55	54.53	49.53	0.76u	80	3-178239-0
OBSOLETE	49	74.6	74.25	84.15	78.25	67.23	62.23	0.76u	100	2-178239-9
OBSOLETE	33	54.2	53.93	63.83	57.93	46.91	41.91	0.76u	68	2-178239-8
OBSOLETE	24	42.8	42.50	52.40	46.50	35.48	30.48	0.76u	50	2-178239-7
	17	33.9	33.61	43.51	37.61	26.59	21.59	0.76u	36	2-178239-5
OBSOLETE	12	27.6	27.26	37.16	31.26	20.24	15.24	0.76u	26	2-178239-4
OBSOLETE	9	23.8	23.45	33.35	27.45	16.43	11.43	0.76u	20	2-178239-2
OBSOLETE	6	19.9	19.64	29.54	23.64	12.62	7.62	0.76u	14	2-178239-1
OBSOLETE	39	61.9	61.55	71.45	65.55	54.53	49.53	0.3u	80	1-178239-0
OBSOLETE	49	74.6	74.25	84.15	78.25	67.23	62.23	0.3u	100	178239-9
OBSOLETE	33	54.2	53.93	63.83	57.93	46.91	41.91	0.3u	68	178239-8
OBSOLETE	24	42.8	42.50	52.40	46.50	35.48	30.48	0.3u	50	178239-7
OBSOLETE	17	33.9	33.61	43.51	37.61	26.59	21.59	0.3u	36	178239-5
OBSOLETE	12	27.6	27.26	37.16	31.26	20.24	15.24	0.3u	26	178239-4
OBSOLETE	9	23.8	23.45	33.35	27.45	16.43	11.43	0.3u	20	178239-2
OBSOLETE	6	19.9	19.64	29.54	23.64	12.62	7.62	0.3u	14	178239-1
	N	F	E	D	C	B	A	Au PLT.	POSITION	PART NO.

TOLERANCES UNLESS OTHERWISE SPECIFIED:
 10>* : ±0.2
 30>*>10 : ±0.25
 100>*>30 : ±0.3
 ANGEL : ±3

THIS DRAWING IS A CONTROLLED DOCUMENT.

DWN: H.KODAMA 22MAR91
 CHK: Y.FUJIURA 01APR91
 APVD: Y.FUJIURA 01APR91

TE Connectivity

RECEPTACLE HDR ASSY (3.9mm) RETENTION LEG TYPE STANDARD CHAMP.050 SERIES (II)

SIZE: A2 CAGE CODE: 00779 DRAWING NO: 178239

SCALE: 2:1 SHEET: 1 OF 1