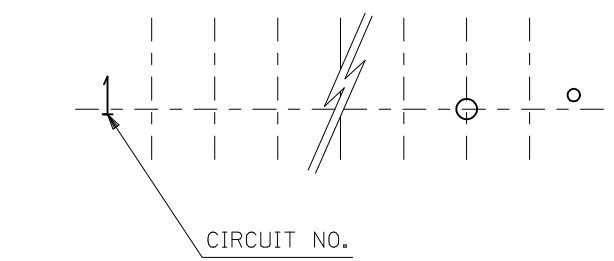
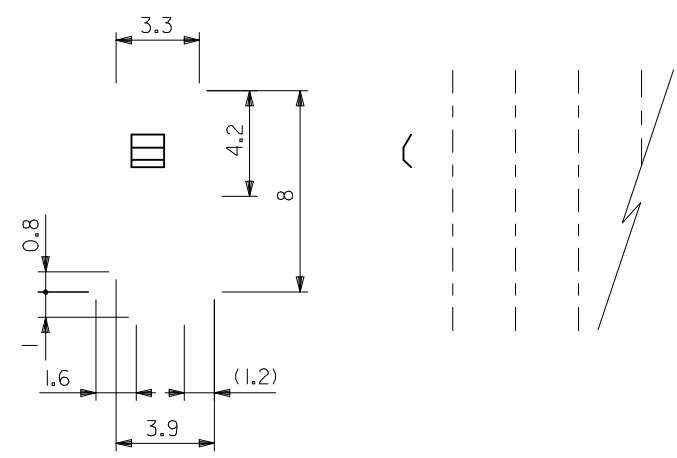
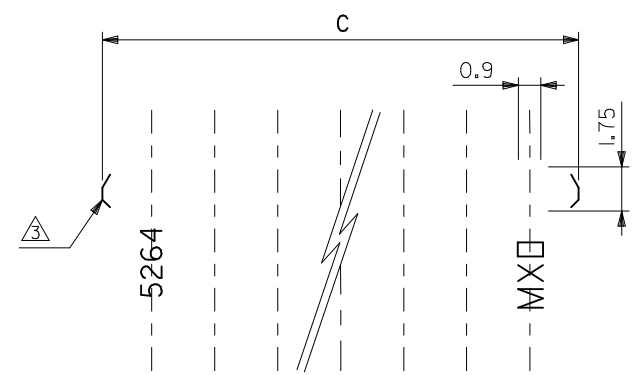
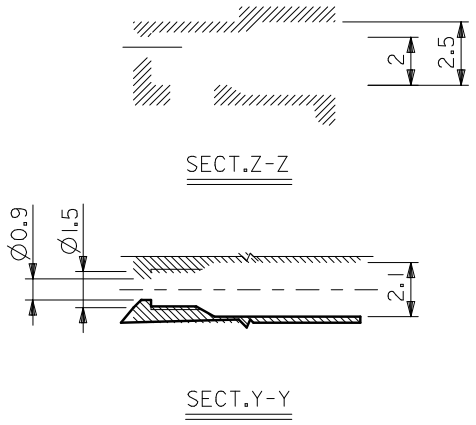
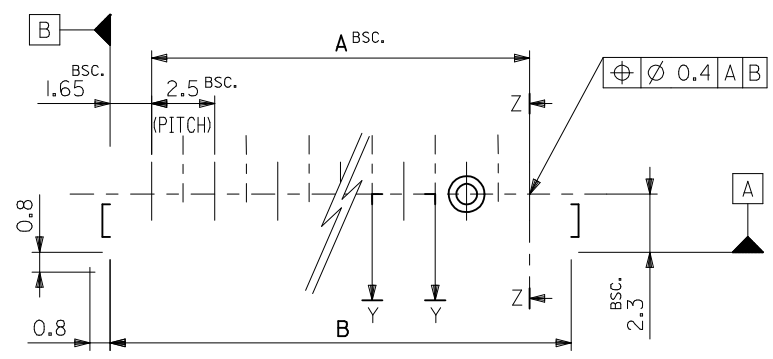


10 9 8 7 6 5 4 3 2 1



	50.8	47.5	20	
	48.3	45	19	
	45.8	42.5	18	
	43.3	40	17	
	40.8	37.5	16	
	38.3	35	15	
	35.8	32.5	14	
	33.3	30	13	
	30.8	27.5	12	
	28.3	25	11	
	25.8	22.5	10	
	23.3	20	9	
	21.4	20.8	17.5	8
	18.9	18.3	15	7
	16.4	15.8	12.5	6
	13.9	13.3	10	5
	11.4	10.8	7.5	4
	8.9	8.3	5	3
	6.4	5.8	2.5	2
DIM. C	DIM. B	DIM. A	NO. OF CKTS.	

REVISED EC NO: J2014-1003 DRWN: TYAJIMA01 2013/12/16 CHKD: KASAKAWA 2013/12/25 APPR: NUKITA 2014/01/07	GENERAL TOLERANCES (UNLESS SPECIFIED)		DIMENSION STYLE MM ONLY		SCALE 5:1	DESIGN UNITS METRIC	THIRD ANGLE PROJECTION		
	10 UNDER ±0.2	10 OVER 30 UNDER ±0.25	30 OVER ±0.3	DRAWN BY TYAJIMA01	DATE 2013/12/16	TITLE 2.5 LOW PROFILE RECEPTACLE HOUSING			
	ANGULAR ±3 °			CHECKED BY KASAKAWA	DATE 2013/12/19	MATERIAL NO. 66NYLON, UL94V-0			
	DRAFT WHERE APPLICABLE MUST REMAIN WITHIN DIMENSIONS			APPROVED BY NUKITA	DATE 2014/01/07				
THIS DRAWING CONTAINS INFORMATION THAT IS PROPRIETARY TO MOLEX INCORPORATED AND SHOULD NOT BE USED WITHOUT WRITTEN PERMISSION									

9 8 7 6 5 4 3 2

NOTES

1. SUITABLE TERMINAL : 5263 SERIES
2. MATES WITH : 5267, 5268 SERIES
- △ 9 CIRCUITS OR MORE WITHOUT LOCK.
4. LEGEND

5264 - N - **

BASE NUMBER _____
 CIRCUIT SIZE _____
 DYED COLOR _____

- BL : BLACK
- BU : BLUE
- GR : GREEN
- RE : RED
- YE : YELLOW

39-02-6205	5264-20-YE	39-02-6204	5264-20-RE	39-02-6203	5264-20-GR	39-02-6202	5264-20-BU	39-02-6201	5264-20-BL	20
↑ -6195	↑ -19-YE	↑ -6194	↑ -19-RE	↑ -6193	↑ -19-GR	↑ -6192	↑ -19-BU	↑ -6191	↑ -19-BL	19
-6185	-18-YE	-6184	-18-RE	-6183	-18-GR	-6182	-18-BU	-6181	-18-BL	18
-6175	-17-YE	-6174	-17-RE	-6173	-17-GR	-6172	-17-BU	-6171	-17-BL	17
-6165	-16-YE	-6164	-16-RE	-6163	-16-GR	-6162	-16-BU	-6161	-16-BL	16
-6155	-15-YE	-6154	-15-RE	-6153	-15-GR	-6152	-15-BU	-6151	-15-BL	15
-6145	-14-YE	-6144	-14-RE	-6143	-14-GR	-6142	-14-BU	-6141	-14-BL	14
-6135	-13-YE	-6134	-13-RE	-6133	-13-GR	-6132	-13-BU	-6131	-13-BL	13
-6125	-12-YE	-6124	-12-RE	-6123	-12-GR	-6122	-12-BU	-6121	-12-BL	12
-6115	-11-YE	-6114	-11-RE	-6113	-11-GR	-6112	-11-BU	-6111	-11-BL	11
-6105	-10-YE	/	/	-6103	-10-GR	-6102	-10-BU	-6101	-10-BL	10
-6095	-09-YE	-6094	-09-RE	-6093	-09-GR	-6092	-09-BU	-6091	-09-BL	9
-6085	-08-YE	-6084	-08-RE	-6083	-08-GR	-6082	-08-BU	-6081	-08-BL	8
-6075	-07-YE	/	/	-6073	-07-GR	-6072	-07-BU	-6071	-07-BL	7
-6065	-06-YE	/	/	-6063	-06-GR	-6062	-06-BU	-6061	-06-BL	6
-6055	-05-YE	/	/	-6053	-05-GR	-6052	-05-BU	-6051	-05-BL	5
-6045	-04-YE	-6044	-04-RE	↓ -6043	↓ -04-GR	-6042	-04-BU	↓ -6041	↓ -04-BL	4
↓ -6035	↓ -03-YE	↓ -6034	↓ -03-RE	39-02-6033	5264-03-GR	↓ -6032	↓ -03-BU	39-02-6031	5264-03-BL	3
39-02-6025	5264-02-YE	39-02-6024	5264-02-RE	/	/	39-02-6022	5264-02-BU	/	/	2
EDP NO.	ENG. NO.	EDP NO.	ENG. NO.	EDP NO.	ENG. NO.	EDP NO.	ENG. NO.	EDP NO.	ENG. NO.	NO. OF CKTS.
5264-N-YE		5264-N-RE		5264-N-GR		5264-N-BU		5264-N-BL		

REVISED EC NO: J2014-1003 DRWN: TYAJIMA01 CHKD: KASAKAWA APPR: NUKITA	2013/12/16 2013/12/25 2014/01/07	GENERAL TOLERANCES (UNLESS SPECIFIED)		DIMENSION STYLE	SCALE	DESIGN UNITS	THIRD ANGLE PROJECTION	
				MM ONLY	---	METRIC		
		10 UNDER	±0.2	DRAWN BY	DATE	TITLE		
		10 OVER 30 UNDER	±0.25	TYAJIMA01	2013/12/16	2.5 LOW PROFILE RECEPTACLE HOUSING		
30 OVER	±0.3	CHECKED BY	DATE					
ANGULAR ±3 °		KASAKAWA	2013/12/19	molex			SHEET NO. 2 OF 2	
DRAFT WHERE APPLICABLE MUST REMAIN WITHIN DIMENSIONS		APPROVED BY	DATE					
		NUKITA	2014/01/07	DOCUMENT NO.				
		SEE SHEET 1		SD-5264-002				
		THIS DRAWING CONTAINS INFORMATION THAT IS PROPRIETARY TO MOLEX INCORPORATED AND SHOULD NOT BE USED WITHOUT WRITTEN PERMISSION						