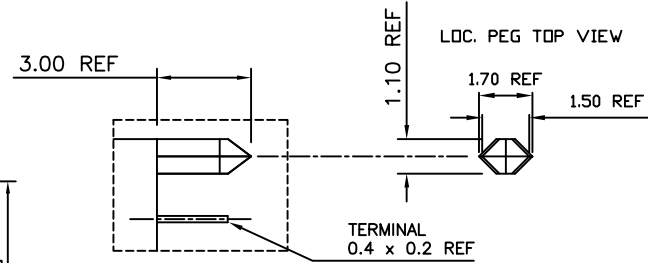
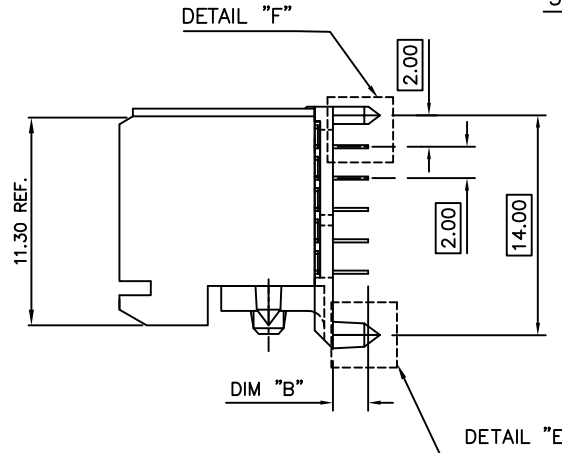
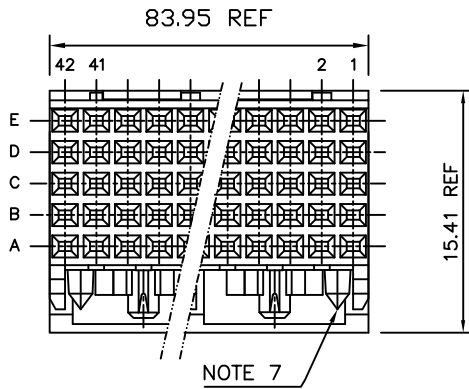


Tous droits strictement reserves. Reproduction ou communication a des tiers Interdite sous quelque forme que ce soit sans autorisation écrite du propriétaire. Propriete de c FCI. Droits de reproduction FCI.

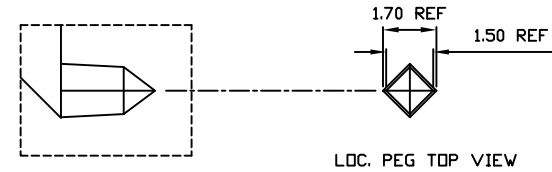


All rights strictly reserved. Reproduction or issue to third parties in any form whatever is not permitted without written authority from the proprietor. Property of FCI. Copyright FCI.

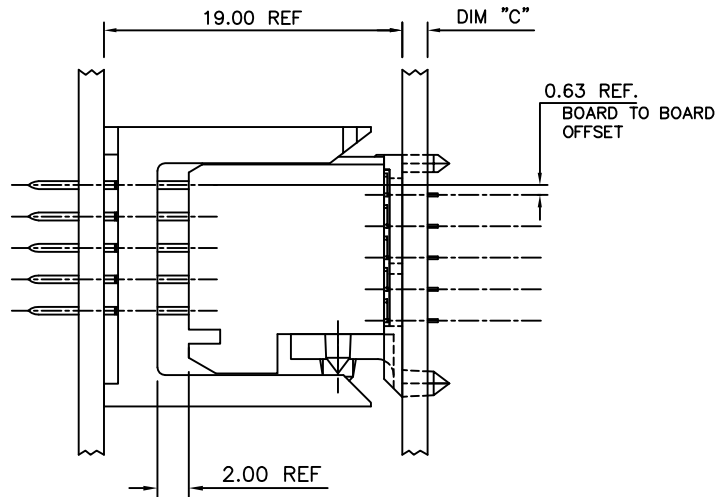
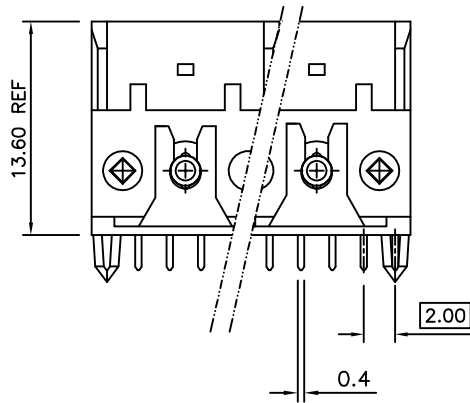
PRODUCT NUMBER	63731-XIY
PRODUCT NUMBER	63731-XIYLF



DETAIL "F"  
SCALE 2:1



DETAIL "E"  
SCALE 2:1



PLATING CONTACT AREA:	
DASH NR:	PERFORMANCE LEVEL
-1YY/1YYLF	TELCORDIA CO
-2YY/2YYLF	CUSTOMER SPECIAL
-3YY/3YYLF	CUSTOMER SPECIAL

mat'l. code				tolerances unless otherwise specified		CUSTOMER COPY	www.fciconnect.com		
SEE NOTES								title	
ltr	ecn no	dr	date	linear	.XX±.13	projection	VERT. SIG. RECEPT. ASS'Y		
H	0607-0173	Cenh	6/05/07		.XXX±.051		5 R., W/ WAFER-84mm		
J	0608-0171	TER	9/3/08	angles	0° ±2'		product family METRAL(tm)		
K	0609-0068	Cenh	06/06/09	dr	M. FETROW 2/16/99	MM	code	213	
E	V01534	JRW	6/22/00	enr	R. DOUTRICH 2/16/99	scale	size	dwg no	
F	V03-0721	DAI	08/18/03	chr	R. DOUTRICH 2/16/99	1:1	A4	63731	
G	V05-1101	JRV	12/5/05	appd	R. DOUTRICH 2/16/99			sheet	
sheet index	revision sheet	K	K	K				1 of 3	
		1	2	3					

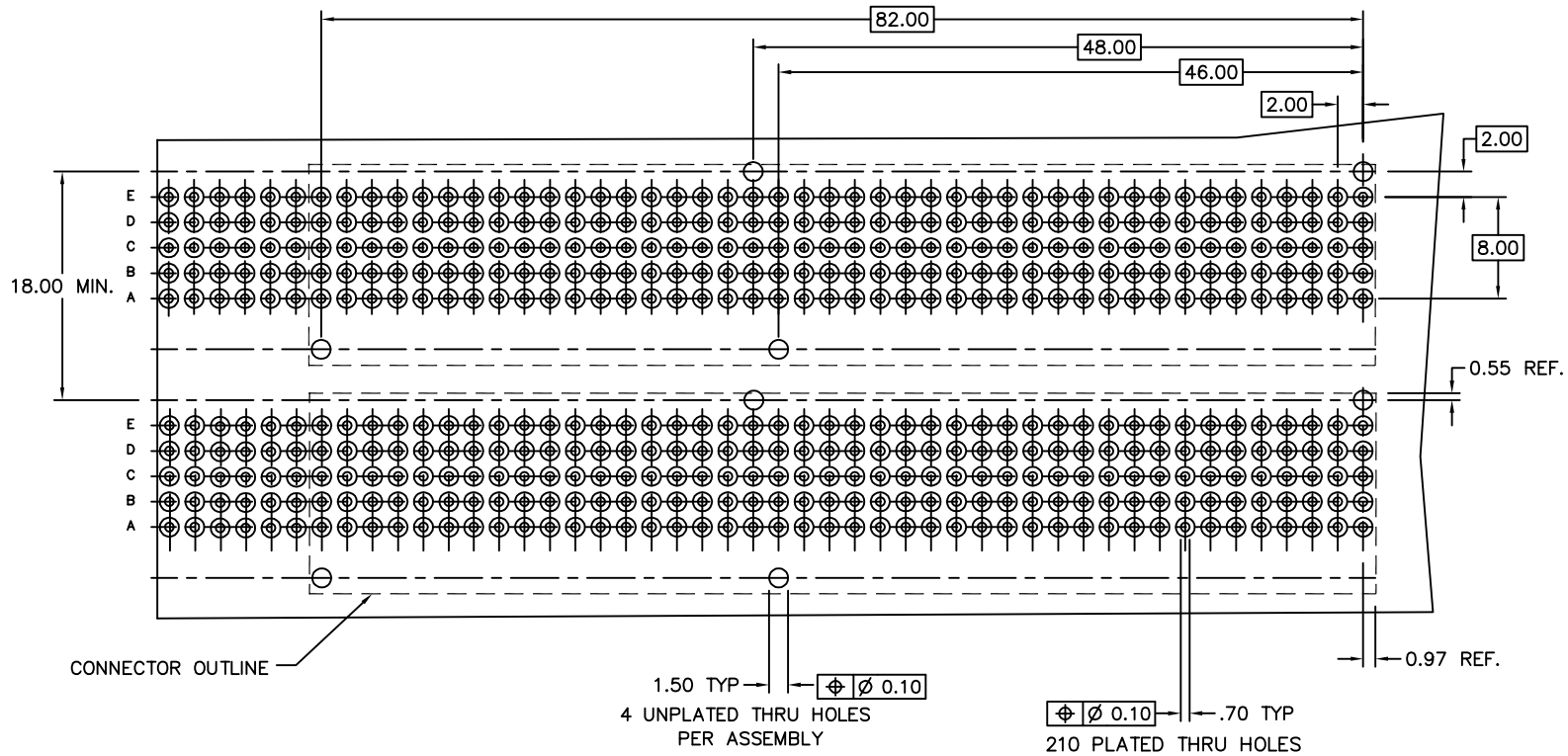
cage code  
22526

Tous droits strictement reserves. Reproduction ou communication a des tiers Interdite sous quelque forme que ce soit sans autorisation écrite du propriétaire. Propriete de c FCI. Droits de reproduction FCI.



All rights strictly reserved. Reproduction or issue to third parties in any form whatever is not permitted without written authority from the proprietor. Property of FCI. Copyright FCI.

PRODUCT NUMBER	DIM "B" TAIL LGTH.	DIM "C" PCB THK.
63731-X11	2.25 ±0.25	1.6
63731-X11LF	2.25 ±0.25	1.6



RECOMMENDED HOLE PATTERN  
63731-X1Y  
COMPONENT SIDE

mat'l. code				tolerances unless otherwise specified			CUSTOMER COPY		FCI	
ltr	ecn no	dr	date	linear	.X±.3	projection	www.fciconnect.com			
K					.XX±.13		title			
				angles	.XXX±.051		VERT. SIG. RECEPT. ASS'Y			
				dr	0° ±2'		5 R., W/ WAFER-84mm			
				enr	M. FETROW 2/16/99		product family	METRAL(tm)		code
				chr	R. DOUTRICH 2/16/99		size	dwg no		213
				appd	R. DOUTRICH 2/16/99	scale	A4		63731	sheet
sheet index	revision sheet					1:1			2 of -	

cage code  
22526

PRODUCT NUMBER
63731-X11
63731-X11LF

NOTES:

- ① CONNECTOR MATERIALS:  
HOUSING: LCP, 30% GLASS FILLED,  
UL 94-V0 COMPLIANT  
TERMINAL: PHOSPHOR BRONZE ALLOY
- 2. PLATING ON TAIL:  
SOLDER-TO-BOARD TYPE  
63731-XY IS 2-8um SnPb  
63731-XYLF IS 2-8um Sn (LEAD FREE)
- 3. PRODUCT SPECIFICATION:  
GS-12-002
- 4. APPLICATION SPECIFICATIONS:  
BUS-20-061  
GS-20-001  
TA-941
- ⑤ PRODUCT MARKING: (PART NUMBER & LOT CODE).
- ⑥ INDICATED HOLES ARE UNPLATED.
- ⑦ DIAMOND LOCATION PEG ARE ONLY EXISTED ON THE BOTH SIDES OF PRODUCT.
- ⑧ TOP SURFACE OF PRESS BLOCK MAY EXTEND UP TO 0.4MM HIGHER THAN HOUSING. THIS MAY AFFECT THE TAIL LENGTH BEFORE APPLICATION TO A BOARD.
- ⑨ DIMENSION APPLIES TO BOTH PRESS-FIT AND SOLDER TAIL TERMINATIONS.
- 10. THESE PRODUCTS WHERE THE PART NUMBER ENDS IN "LF" MEET THE EUROPEAN UNION DIRECTIVES AND OTHER COUNTRY REGULATIONS AS DESCRIBED IN GS-22-008.  
  
ALL PRODUCTS MANUFACTURED BEFORE APRIL 2006 WILL WITHSTAND EXPOSURE TO 240°C FOR 60 SECONDS IN A CONVECTION, INFAR-RED OR VAPOR PHASE REFLOW OVEN.  
  
ALL PRODUCTS MANUFACTURED AFTER MARCH 2006 WILL WITHSTAND EXPOSURE TO 260°C FOR 60 SECONDS IN A CONVECTION, INFAR-RED OR VAPOR PHASE REFLOW OVEN.
- ⑪ FOR LEAD FREE PART NUMBERS ADD "LF" SUFFIX. EXAMPLE: 63731-XYLLF.

Tous droits strictement reserves. Reproduction ou communication a des tiers Interdite sous quelque forme que ce soit sans autorisation écrite du propriétaire. Propriete de c FCI. Droits de reproduction FCI.



All rights strictly reserved. Reproduction or issue to third parties in any form whatever is not permitted without written authority from the proprietor. Property of FCI. Copyright FCI.

A

A

B

B

mat'l. code ----				tolerances unless otherwise specified			CUSTOMER COPY		www.fciconnect.com			
ltr	ecn no	dr	date	linear	.X±.3		projection 	title				
K					.XX±.13			VERT. SIG. RECEPT. ASS'Y				
				angles	.XXX±.051			5 R., W/ WAFER-84mm				
					0° ±2'			product family METRAL(tm)		code		
				dr	M. FETROW	2/16/99	scale 1:1	size		sheet		
				enr	R. DOUTRICH	2/16/99		dwg no		213		
				chr	R. DOUTRICH	2/16/99		A4		63731		
				appd	R. DOUTRICH	2/16/99			3 of -			
sheet index		revision sheet										