

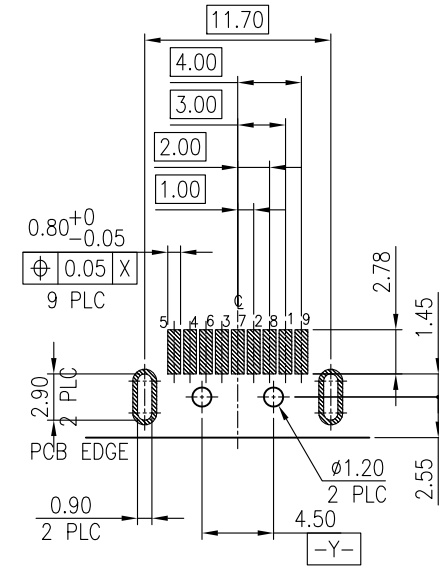
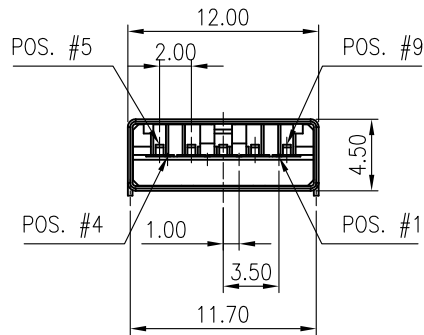
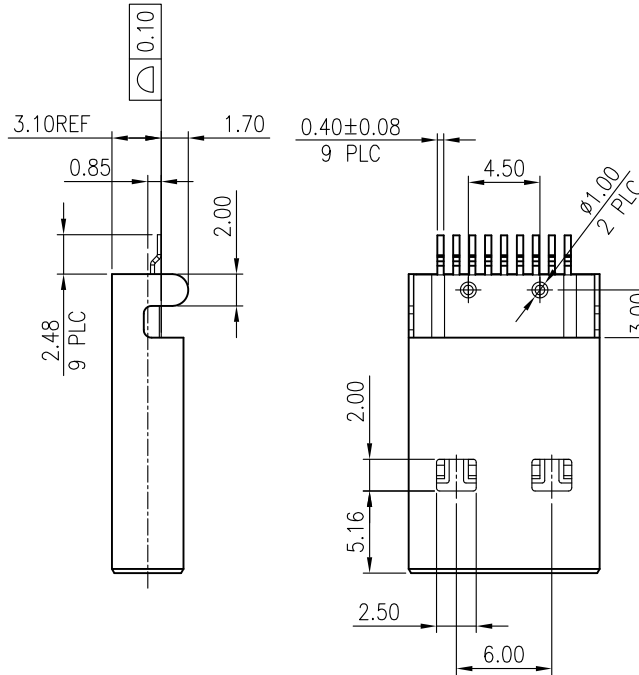
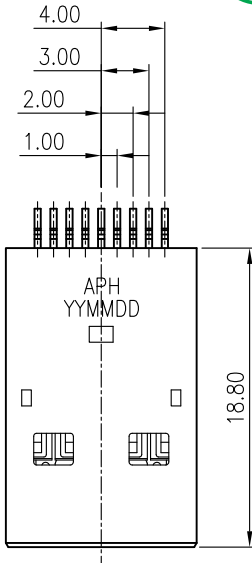
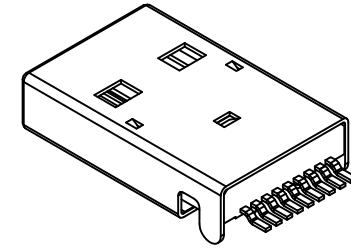
This document is the property of Amphenol Corporation and is delivered on the express condition that is not to be disclosed, reproduced or used, in whole or in part, for manufacture or sale by anyone other than Amphenol Corporation without its prior consent, and that no right is granted to disclose or to use any information in this document.

The marking on this product doesn't contain environmental hazardous materials per Material Specification SS-00259 for Sony GP compliant or per directive 2002/95/EC for RoHS compliant.



ORIGINAL

REVISIONS				
SYM	ECN No.	DESCRIPTION	DATE	APPROVED
A		APPROVED REVISION	10/19/2010	Arron Lin
B	NE-11036	ADDED DATE CODE	03/18/2011	Arron Lin



PART NO. GSB3164X1CEU

PLATING OF SOLDERING AREA
 4: 100u" MATTE TIN
 5: 2u" MIN. GOLD

RECOMMEND P.C.B LAYOUT GENERAL TOLERANCE ±0.05
 (COMPONENT SIDE)

NOTES:

- INSULATOR: HIGH TEMPERATURE THERMAL, UL 94HB RATED, COLOR- BLUE
- CONTACT: PHOSPHOR BRONZE, GOLD PLATING 2 μ" THICKNESS MIN. OVER PALLADIUM NICKEL PLATING 30 μ" THICKNESS MIN ON CONTACT AREA; 100u" MIN. MATTE TIN PLATED OR 2u" MIN. GOLD PLATING THICKNESS. ON SOLDERING TAIL, 80u" MIN. NICKEL UNDER-PLATING OVERALL
- SHELL: SPCC, 50 μ" MIN. NICKEL OVER 30 μ" MIN. CU PLATED OVERALL
- THIS PRODUCT DOESN'T CONTAIN ENVIRONMENTAL HAZARDOUS MATERIALS PER DIRECTIVE 2002/95/EC FOR RoHS.
- THE PACKING MUST BE PER Amphenol PACKING SPECIFICATION PKS-0001.

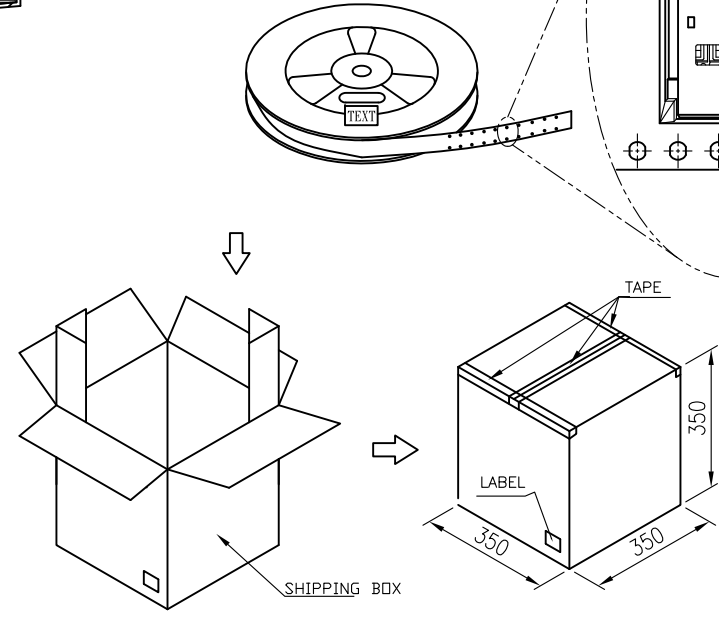
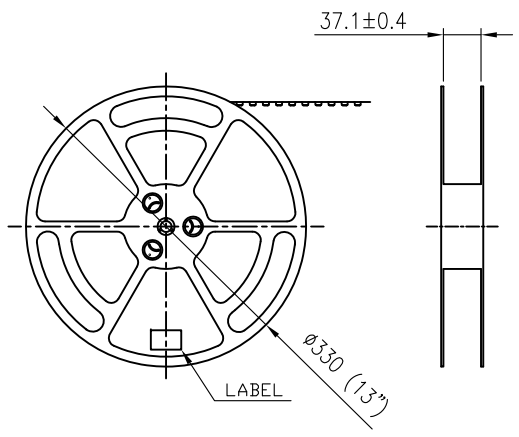
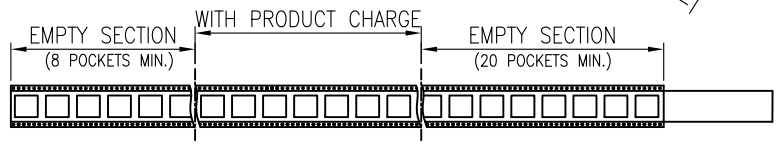
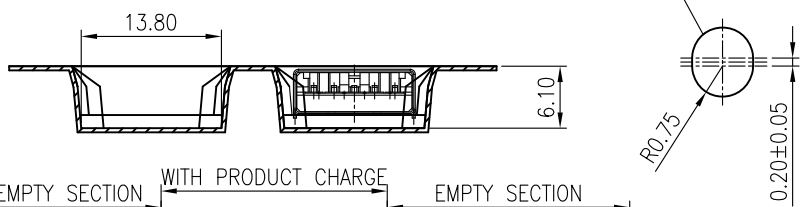
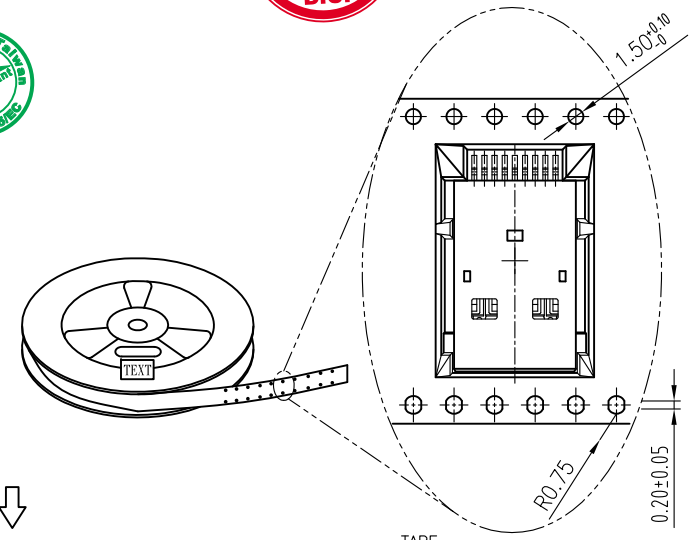
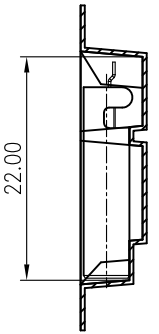
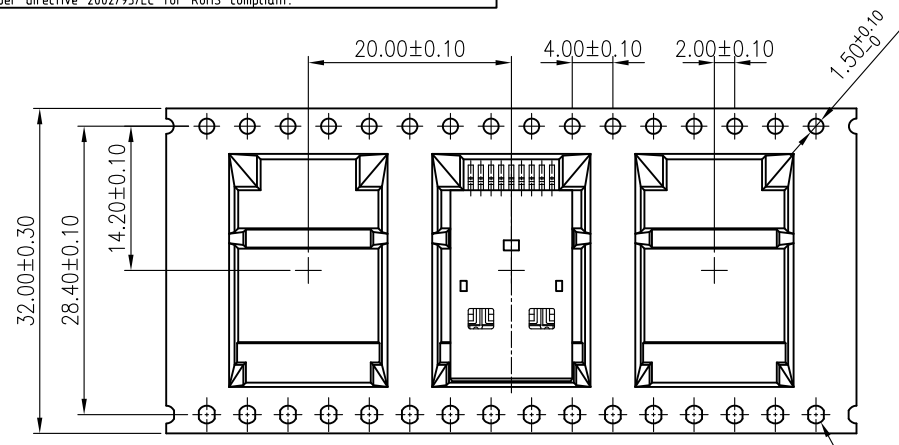
TOLERANCE	APPROVALS	DATE	TITLE		Amphenol®	
X. X.X ±0.30 X.XX ±0.20 X.XXX ±0.10	DRAWN Debby Hung	03/18/2011	USB3.0 CONNECTOR STANDARD A TYPE, PLUG R/A SMT		Amphenol Corporation Amphenol Taiwan Corporation	
ANGULAR ±1°	CHECKED Roger Tsai	03/18/2011	UNIT mm	SIZE A3	PART No.	GSB3164X1CEU
UNLESS OTHERWISE SPECIFIED	APPROVED Arron Lin	03/18/2011	SCALE NA	SHEET 1 OF 2	DWG No.	GSB3164X1CEU
	DWG TYPE CUST DWG	PROJECT CODE OTHER			REV.	B

This document is the property of Amphenol Corporation and is delivered on the express condition that is not to be disclosed, reproduced or used, in whole or in part, for manufacture or sale by anyone other than Amphenol Corporation without its prior consent, and that no right is granted to disclose or to use any information in this document.

The marking on this product doesn't contain environmental hazardous materials per Material Specification 55-00259 for Sony GP compliant or per directive 2002/95/EC for RoHS compliant.

REVISIONS				
SYM	ECN No.	DESCRIPTION	DATE	APPROVED
A		APPROVED REVISION	10/19/2010	Arron Lin
B	NE-11036	ADDED DATE CODE	03/18/2011	Arron Lin

ORIGINAL



16.5	12.12	500	9	4500	GSB3164X1CEU
GROSS WEIGHT	NET WEIGHT	PCS/REEL	REELS/CARTON	QUANTITY	PART NUMBER

TOLERANCE	APPROVALS	DATE	TITLE		Amphenol®				
X. ±0.30	DRAWN Debby Hung	03/18/2011	USB3.0 CONNECTOR STANDARD A TYPE, PLUG R/A SMT		Amphenol Corporation Amphenol Taiwan Corporation				
X.X ±0.20	CHECKED Roger Tsai	03/18/2011							
X.XXX ±0.10	APPROVED Arron Lin	03/18/2011							
ANGULAR ±1°	DWG TYPE CUST DWG	PROJECT CODE OTHER	UNIT mm	SCALE NA	SIZE A3	SHEET 2 OF 2	PART No. GSB3164X1CEU	DWG No. GSB3164X1CEU	REV. B