



# 10/100 Mbps Managed Optical Demarcation Compact CPE Device

IE-MiniFiberLinX-II/Telco



## PRODUCT FEATURES

- Loopback troubleshooting
- SNMP Manageable
- Power options: AC, DC
- Bi-directional Bandwidth control
- MTU: Supports over-sized packets up to 1916
- Supports passive 802.3ah OAM (Operation, Administration & Management)

## ORDERING INFORMATION

MODEL NUMBER	FIBER	FIBER PORTS	RANGE	ETHERNET PORTS	ETHERNET CONNECTOR
<b>IE-MiniFiberLinX-II/Telco</b>					
856-17620	MM850-ST	1	2 km	1	RJ45
856-17621	MM850-SC	1	2 km	1	RJ45
856-17622	MM1300-ST	1	5 km	1	RJ45
856-17623	MM1300-SC	1	5 km	1	RJ45
856-17626	SM1310/PLUS-ST	1	30 km	1	RJ45
856-17627	SM1310/PLUS-SC	1	30 km	1	RJ45
856-17628	SM1310/LONG-ST	1	80 km	1	RJ45
856-17629	SM1310/LONG-SC	1	80 km	1	RJ45
856-17631	SM1550/LONG-SC	1	80 km	1	RJ45
856-17632	SM1550/XLONG-SC	1	100 km	1	RJ45
<b>SINGLE STRAND FIBER *</b>					
856-17640	SSFx-MM1310-SC	1	2 km	1	RJ45
856-17641	SSFx-MM1550-SC	1	2 km	1	RJ45
856-17642	SSFx-SM1310-SC	1	20 km	1	RJ45
856-17643	SSFx-SM1550-SC	1	20 km	1	RJ45
856-17644	SSFx-SM1310/PLUS-SC	1	40 km	1	RJ45
856-17645	SSFx-SM1550/PLUS-SC	1	40 km	1	RJ45
856-17646	SSFx-SM1310/LONG-SC	1	60 km	1	RJ45
856-17647	SSFx-SM1550/LONG-SC	1	60 km	1	RJ45

\* These products have single-strand fiber technology. Deploy in pairs or connect another compatible B&B IMC LLC single-strand fiber product.

The compact IE-MiniFiberLinX-II/Telco is one of the most versatile fiber optic NID devices available on the market today. It provides point-to-point fiber optic connections with a unique management tool to monitor the entire link between two locations. IE-MiniFiberLinX-II/Telco was designed to work with -48 VDC power that is compliant with the Bellcore GR-499 specification, supporting the minimum and maximum transient voltages, typically required by transport equipment used in Telco environments. Other key features include; carrier grade remote SNMP management, extra tagging using Q-in-Q, and PoE (Power over Ethernet).

As a copper-to-fiber converter, the IE-MiniFiberLinX-II/Telco supports multiple fiber types including multimode, single-mode, single-strand fiber (SSF), and Course Wavelength Division Multiplexing (CWDM) functionality to increase the capacity of existing fiber. As a remote, CPE device, it can be connected via the fiber segment to an iMcV-FiberLinX-II Host module to support Host/Remote management.

Equipped with one 100 Mbps fiber data port, one 10/100 twisted pair port for data and management, as well as an auxiliary port designed to function as a serial port (when used with the included adapter), the IE-MiniFiberLinX-II/Telco also offers multiple powering options: AC power (with included adapter), DC (through a 4-terminal power block).

**IE-MiniFiberLinX-II/Telco also available in CWDM Fiber. Call for details.**



## IN THE FIELD

Chilean Telecommunications Delivers Services Via Fiber

Industry: Enterprise IT  
Product: Optical Ethernet Demarcation Module



www.bb-elec.com/  
ChileCable

Carrier data charges may apply.

## ACCESSORIES

- 806-39105 - DIN Rail Clip
- 806-39638 - Double-USB Power Cable, 36"/.9m
- 806-39650 - 12"/.3m Barrel-Connector Power Cable
- 806-39753 - IE-Power/5V Module, AC to DC DIN Rail Power Adapter



iView: Windows 2000/XP/Vista/Win7

# 10/100 Mbps Managed Optical Demarcation Compact CPE Device

IE-MiniFiberLinX-II/Telco



## SPECIFICATIONS

### GENERAL

- Preserves complete end-to-end fiber connection integrity
- Bi-directional bandwidth control (per port, per direction, per VLAN)
- Read/write IEEE 802.1Q VLAN-tags
- Extra Tagging with Q-in-Q mode (802.1p)
- Supports passive 802.3ah OAM (Operation, Administration & Management)
- QoS: IEEE 802.1p-based packet prioritization (2 queues [high/low] with 8 levels of priority)
- VLAN filtering up to 32 values
- Layer 2 packet switching, store and forward operation
- Forwarding rate: 14,881 pps for 10 Mbps; 148,810 pps for 100 Mbps
- AutoCross for MDI/MDIX
- Features Auto Negotiation and Selective Advertising
- Supports Half and Full-Duplex operation
- MTU: Supports over-sized packets up to 1916 bytes per packet

### SECURITY

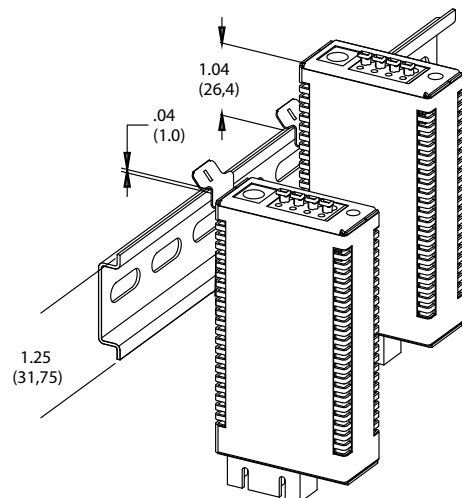
- Password Control
- Multiple Access Levels: User Assigned Accounts & Access Levels

### MANAGEMENT

- SNMP V1 and V2c compatible
- Includes GUI-based iView<sup>2</sup> software for remote management and upgrades
- Monitors far-end (remote) status without a physical presence or separate connection
- IEEE 802.3x Flow Control
- Includes DHCP and TFTP clients
- Supports Telnet
- Includes loopback test modes (MAC swap)
- Includes LinkLoss and FiberAlert
- Remote capabilities with built-in support for UMA (IP-less management)
- RS-232 (Craft) interface for local management
- Serial cable for direct connection to a PC's Serial Port

## MECHANICAL DIAGRAM

(dimensions in inches & millimeters)



### ETHERNET PROTOCOLS SUPPORTED

- EEE 802.3i 10Base-T twisted pair
- IEEE 802.3u 100Base-TX twisted pair
- IEEE 802.3u 100Base-FX or SX fiber

### MECHANICAL

- Dimensions: 0.83"H x 1.80"W x 3.35"D (2.11 x 4.57 x 8.51 cm)

### POWER

- AC Wall Adapter: 100 to 240 VAC ±10% input, 5 VDC output, 2A max.
- DC Input Voltage: 12 to 48 VDC \*, 1 to .02A, 7 to 50 VDC, 1 to 0.1A

### ENVIRONMENTAL

- Operating Temperature: +14° to +122° F (-10° to +50° C) AC Adapter  
-13° to +167° F (-25° to +75° C) DC Adapter  
-49° to +185° F (-45° to +85° C) DC Telco
- Storage Temperature: -49° to +185° F (-45° to +85° C)
- Operating Humidity: 5 to 95% Non-condensing

### REGULATORY APPROVALS

- FCC Class A
- UL/cUL, CE, CSA, CB

