

# HF MAGICSTRAP® Product Datasheet

## LXMS33HCNG-134

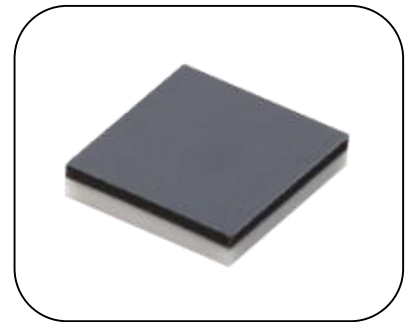


### 1, General Descriptions

HF MAGICSTRAP® is a small size HF band RFID IC module, including embedded antenna.

This complies with ISO15693 standard.

It can be used globally with high performance even in small form factor.



### **[Features]**

- Ultra miniature package (3.2 x 3.2 x 0.7mm)
- RF antenna is embedded within substrate
- Easy to implement since no external antenna is required
- Robust package design – resistance to environmental conditions (high temperature, high humidity)
- ISO 15693 compliant
- Using NXP ICODE SLIX, 896bit user memory
- Read range: 15mm (200mW output power, 37 x 54mm antenna)
- Can be attached to a wide range of objects
- Operating temperature -40°C ~ +85°C
- 100% green material for RoHS compliance

### 2, HF MAGICSTRAP® Block Diagram

Figure.1 shows HF MAGICSTRAP® block diagram.

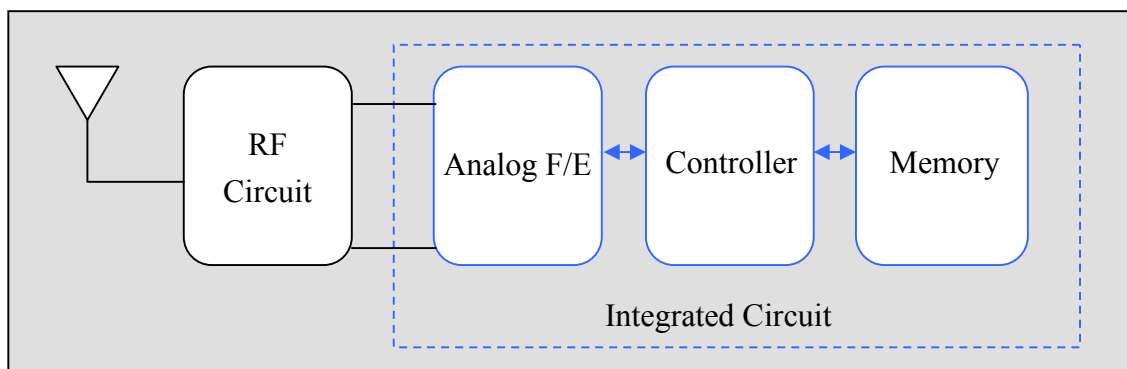
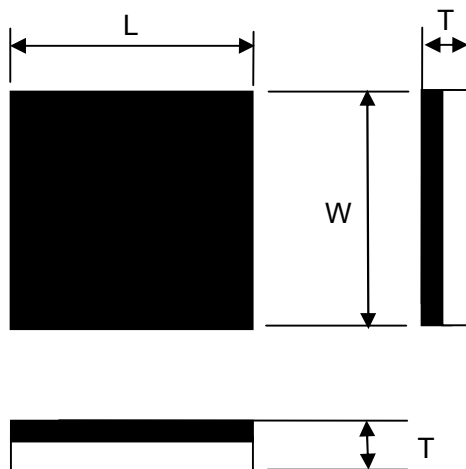


Fig1. Block diagram

All Rights Reserved, Copyright© Murata Manufacturing Co., Ltd.

**3, Dimension**



[mm]

Mark	Dimensions
L	3.2 ± 0.2
W	3.2 ± 0.2
T	0.7 max

**Fig.2 Package Dimension**

**4, Example of Electrical Performance**

15mm of Read range\*

\*Reader/Writer : TI TRF7960 Reference Board

Reader/Writer antenna : 37x54mm on TI TRF7960 Reference Board

Output Power of Reader/Writer : 200mW

**5, Packing Information**

This product is supplied by tape and reel package

5-1. Quantity per reel

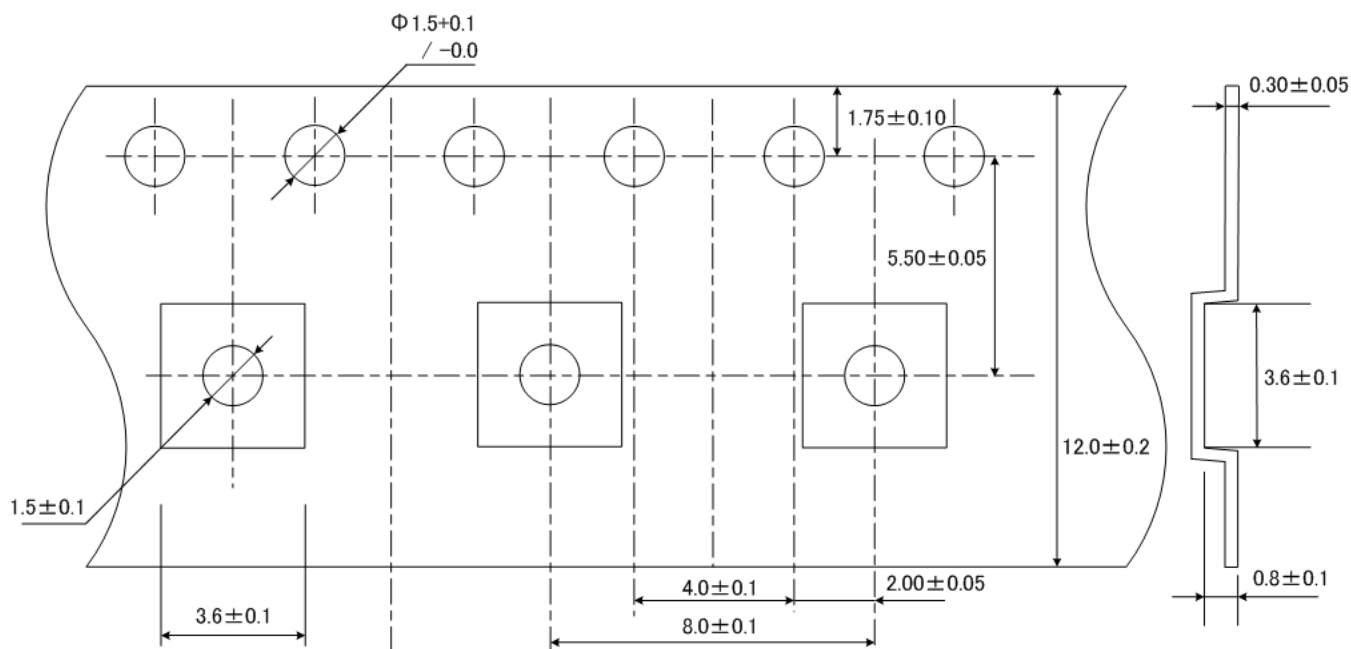
6,000pcs

5-2. Minimum order quantity

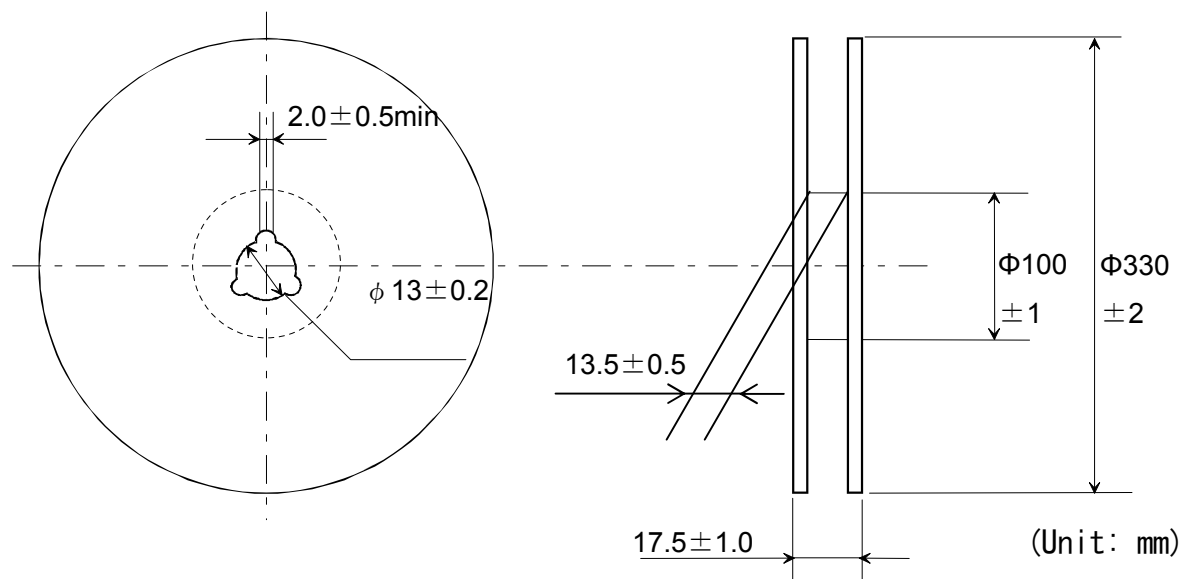
6,000pcs

5-3. Tape and Reel Packing

(1) Dimensions of Tape ( Plastic tape )



(2) Dimensions of Reel



**6. Contact window**

URL : <http://www.murata.com/products/rfid/index.html>

" MAGICSTRAP® " is the registered trademark of Murata Manufacturing. Co., Ltd. in Japan.

For any inquiries/queries, please feel free to contact us.