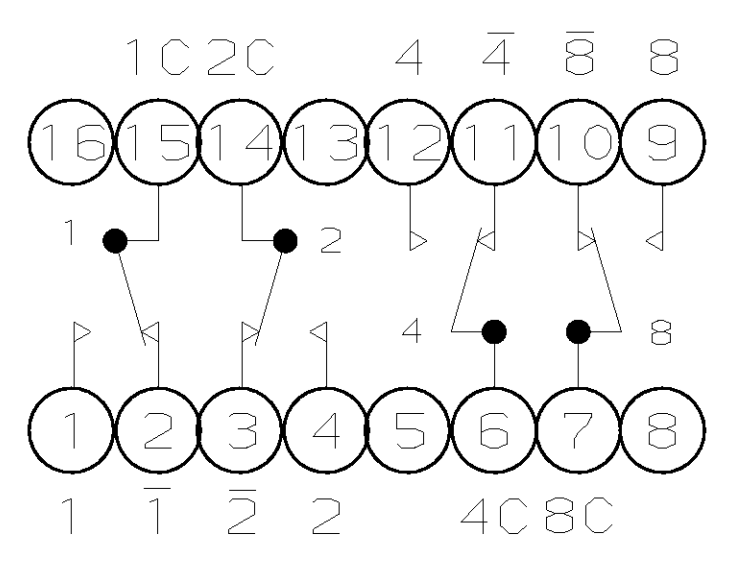
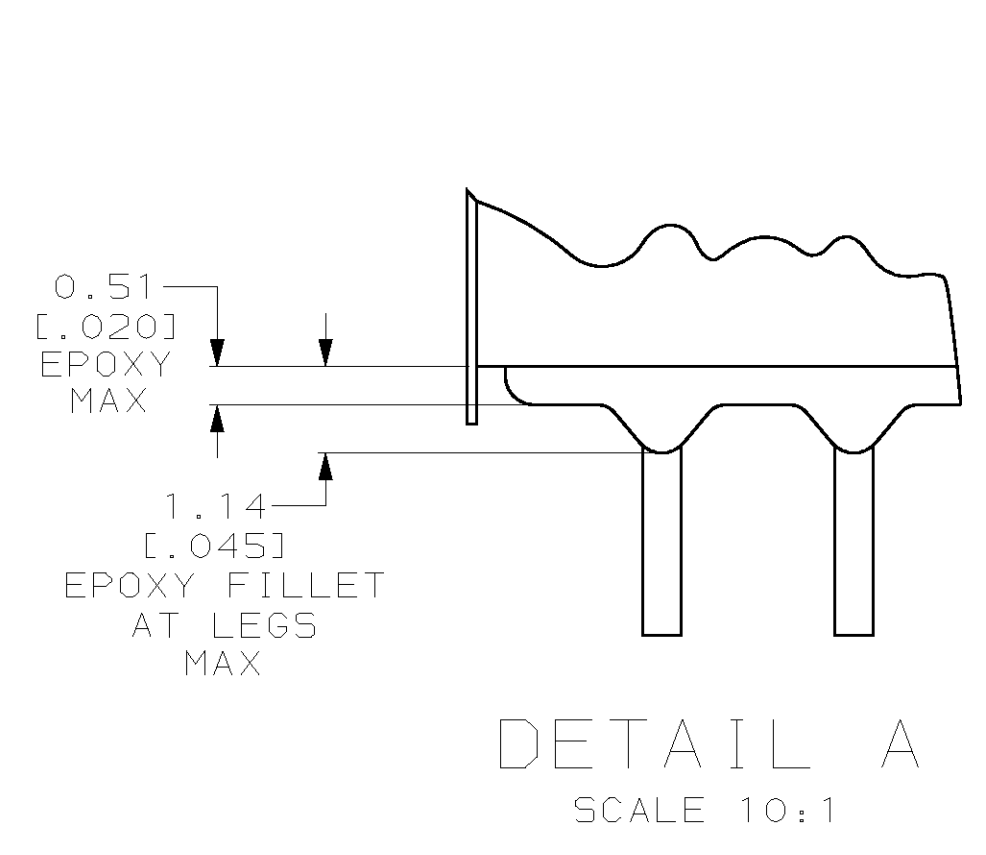


LOC	DIST	REV	DESCRIPTION	DATE	OWN	APVD
AG	1	J	REDRAWN ON CAD PER 0330-0026-96	1-8-97	WS	JR
		K	REV PER EC 063C-0381-01	02MAY02	MB	HW

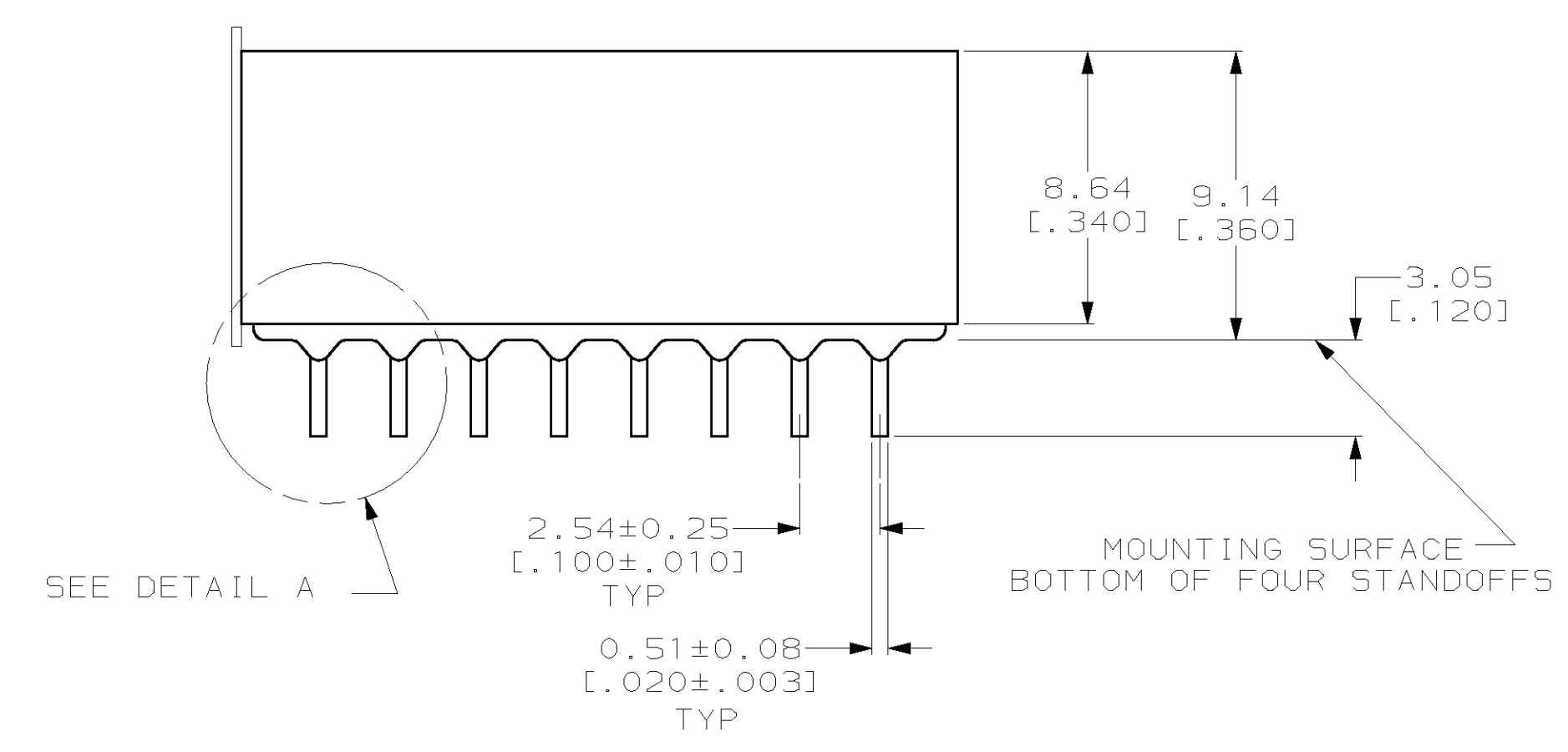
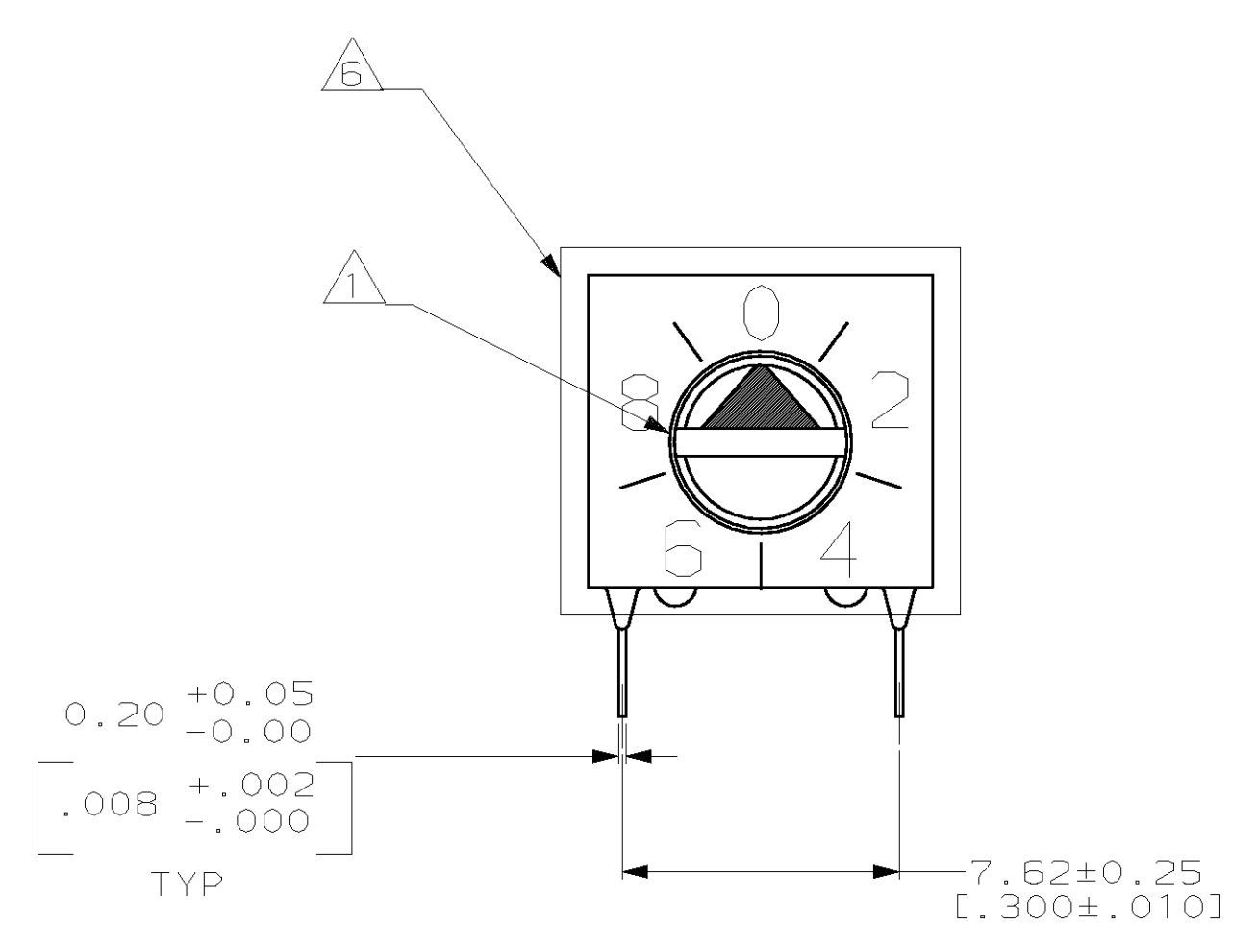
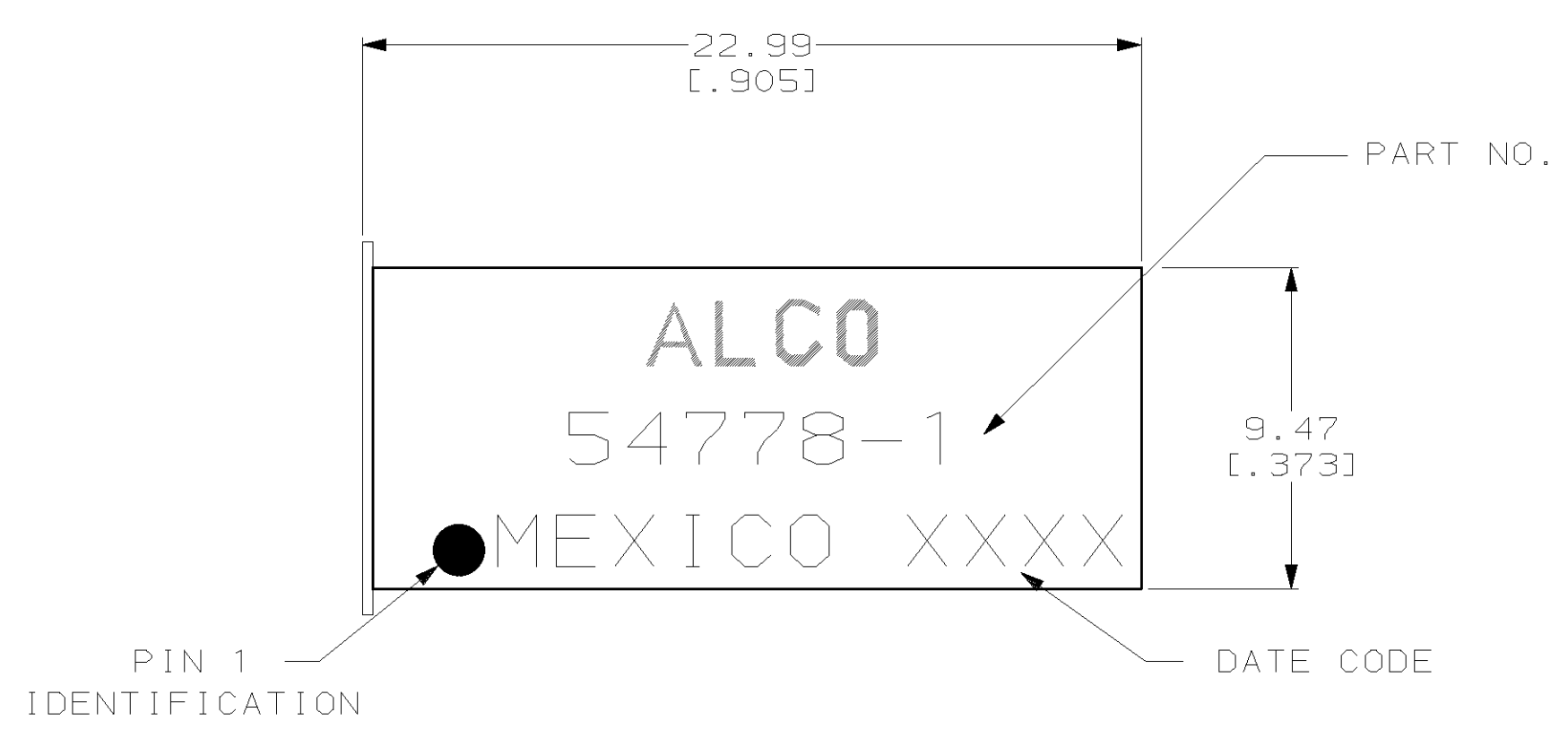


SCHEMATIC
(POSITION 0)

- △ SLOT FOR SCREWDRIVER ACTUATION, AFTER REMOVAL OF TAPE.
- 2. FOR ADDITIONAL SPECIFICATIONS SEE AMP PRODUCT SPEC 108-7066 AND INSTRUCTION SHEET 6811.
- 3. SWITCH BOTTOM IS SEALED.
- △ CONTACT FINISH TO BE 0.00076 [.000030] GOLD OVER NICKEL.
- △ MATERIAL:
HOUSING : BLACK POLYESTER
CONTACTS : BERYLLIUM COPPER.
- △ REMOVABLE TAPE TO SEAL ACTUATOR END.

		POSITION									
		0	1	2	3	4	5	6	7	8	9
COMMON TO	1		●		●		●		●		●
	2			●	●			●	●		
	4					●	●	●	●		
	8									●	●
	1	●		●		●		●		●	
	2	●	●			●	●			●	●
	4	●	●	●	●					●	●
	8	●	●	●	●	●	●	●	●		

BCD WITH COMPLEMENT



54778-1
PART NUMBER

DIMENSIONS (mm (INCHES))		TOLERANCES UNLESS OTHERWISE SPECIFIED		MATERIAL		FINISH	
0 PLC	±-	0.00	±0.01	5	5	5	5
1 PLC	±-	0.00	±0.01	5	5	5	5
2 PLC	±-	0.00	±0.01	5	5	5	5
3 PLC	±-	0.00	±0.01	5	5	5	5
4 PLC	±-	0.00	±0.01	5	5	5	5
ANGLES	±-	0.00	±0.01	5	5	5	5

DRAWN	M. SORAH	1-8-97	AMP Incorporated Harrisburg, PA 17105-3608
CHEK	R. TALLEY	1-8-97	
APVD	J. ROBB	1-8-97	
PRODUCT SPEC	SWITCH ASSY, PREPROGRAMMED DIP, 10 POSITION, SCREWDRIVER SLOT		
APPLICATION SPEC	A1 00779 C-54778		
WEIGHT	SCALE 5:1 SHEET 1 OF 1 REV K		
CUSTOMER DRAWING			