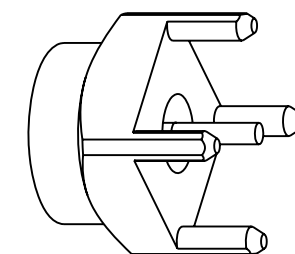


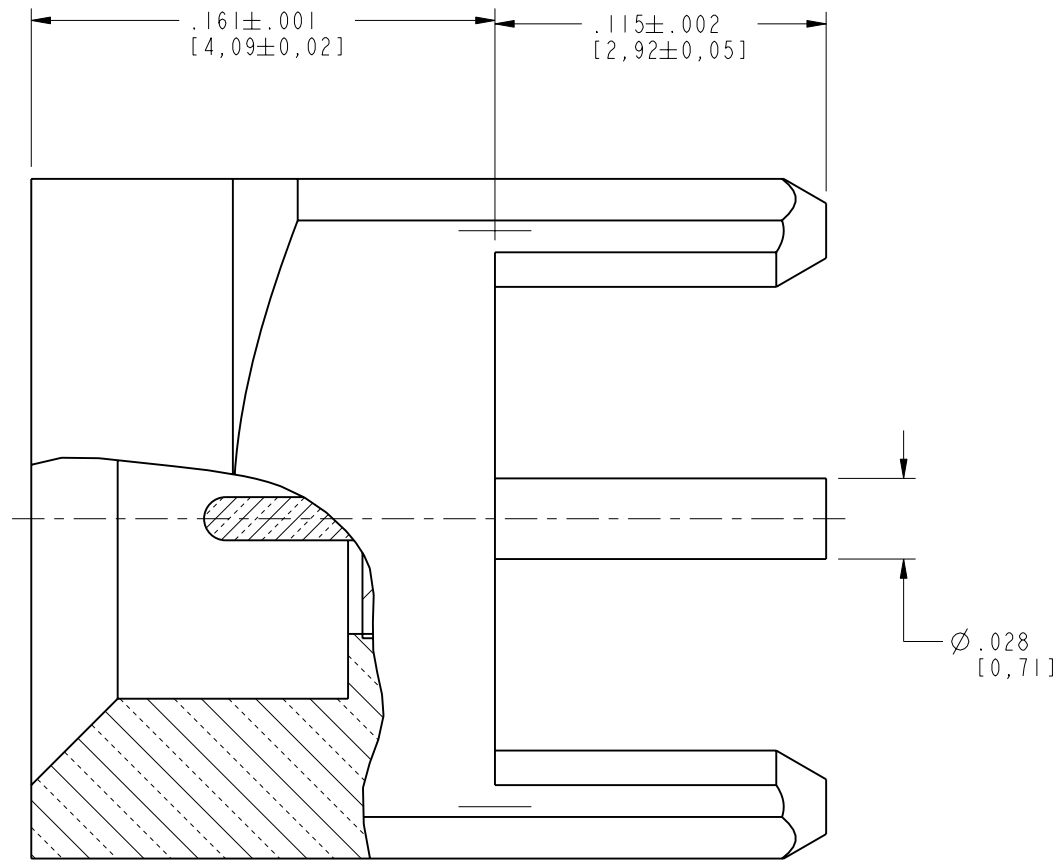
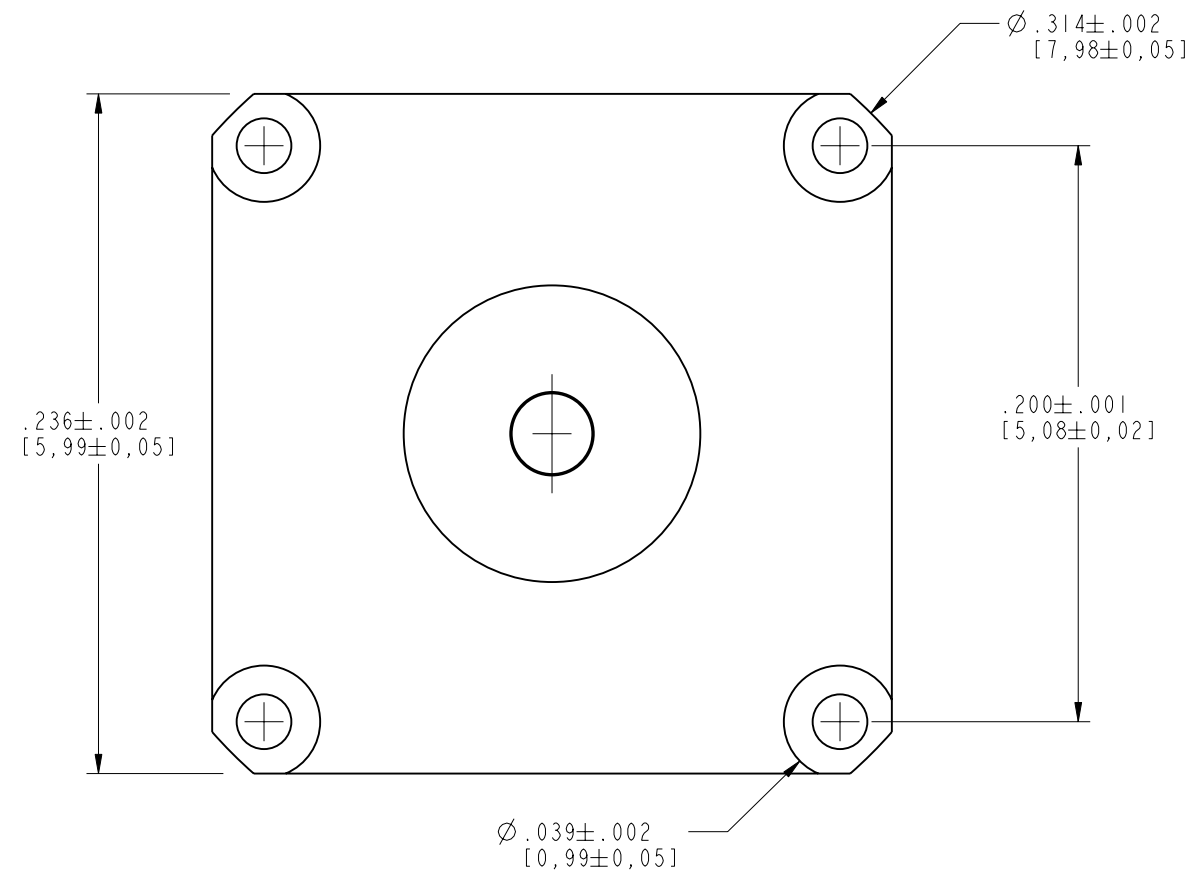
NOTES:

1. MATERIALS AND FINISHES:
 BODY - BRASS, GOLD PLATING
 CONTACT - BRASS, GOLD PLATING
 INSULATOR - PEEK OR LCP
2. ELECTRICAL:
 A. IMPEDANCE: 50 OHM
 B. FREQUENCY RANGE: DC - 6 GHz
 C. VSWR(RETURN LOSS): 1.10 (26.4 dB), MAX. DC-2GHz
 1.22 (20 dB), MAX. 2-6GHz
 D. DIELECTRIC WITHSTANDING VOLTAGE: 500 VRMS, MIN.
3. PHYSICAL:
 A. DURABILITY: 500 CYCLES MIN.
 B. ENGAGEMENT FORCE: 2 LB [9 N] MAX
 C. DISINGAGEMENT FORCE: .5 LB [2.2 N] MIN
 D. INNER CONTACT RETENTION FORCE: 1.5 LB [7 N] MIN
 E. TEMPERATURE RANGE: -65° C TO 165° C
4. PACKAGING:
 A. QUANTITY: SINGLE PACK
 B. MARKING:
 AMPHENOL
 SMP-MSCM-PCT-2
 DATE CODE
 QTY

| | | | | | |
|-------------------|-----|-----------------|--------|-------|------|
| SMP-MSCM-PCT-2 | | REVISIONS | | | |
| DRAWING NO. | REV | DESCRIPTION | DATE | ECO | APPR |
| THIRD ANGLE PROJ. | A | RELEASE TO MFG. | 9/1/06 | 46191 | MY |



SCALE 4.000



CUSTOMER OUTLINE DRAWING
ALL OTHER SHEETS ARE FOR INTERNAL USE ONLY

| | | | | | |
|---|-----------|-----------------------------------|-------------------|---|---|
| UNLESS OTHERWISE SPECIFIED, DIMENSIONS ARE IN INCHES AND TOLERANCES ARE: 2 PLACE DECIMAL 3 PLACE DECIMAL ANGLES ±.015 (0,381 mm) ±.005 (0,127 mm) ± 1° | MATERIAL | DRAWN H. PARIKH | DATE 29-Aug-06 | TITLE ASSEMBLY PCB RECEPTACLE CATCHER'S MITT | Amphenol RF Danbury, CT, USA Tainan, Taiwan Shenzhen, China www.amphenolrf.com |
| | REFERENCE | ENGINEER H. PARIKH | DATE 29-Aug-06 | | |
| NOTICE - These drawings, specifications, or other data (1) are, and remain the property of Amphenol Corp. (2) must be returned upon request; and (3) are confidential and not to be disclosed to any person other than those to whom they are given by Amphenol Corp. The furnishing of these drawings, specifications, or other data by Amphenol Corp., or to any other person to anyone for any purpose is not to be regarded by implication or otherwise in any manner licensing, granting rights or permitting such holder or any other person to manufacture, use or sell any product, process or design, patented or otherwise, that may in any way be related to or disclosed by said drawings, specifications, or other data. | | APPROVED B. C. GLEISSNER | DATE 9/1/06 | | SCALE: 15.0:1 SHEET 2 OF 2 |
| | | CAD FILE I:\SMP\SMP-MSCM-PCT-2 | CODE ID 74868 | DWG SIZE B | DRAWING NO. SMP-MSCM-PCT-2 |