

# PRODUCT DATA DRAWING

CAD GENERATED DRAWING	DCN CONTROLLED DOCUMENT	DWG. NO. 1285-6004
-----------------------	-------------------------	-----------------------

## MATERIAL :

BODY: STAINLESS STEEL PER AMS-5640  
 CONTACT: BERYLLIUM COPPER PER ASTM B196  
 INSULATOR: TEFLON PER ASTM D1710

## FINISH :

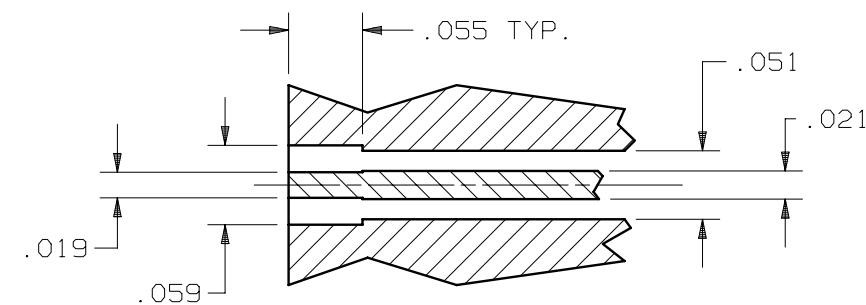
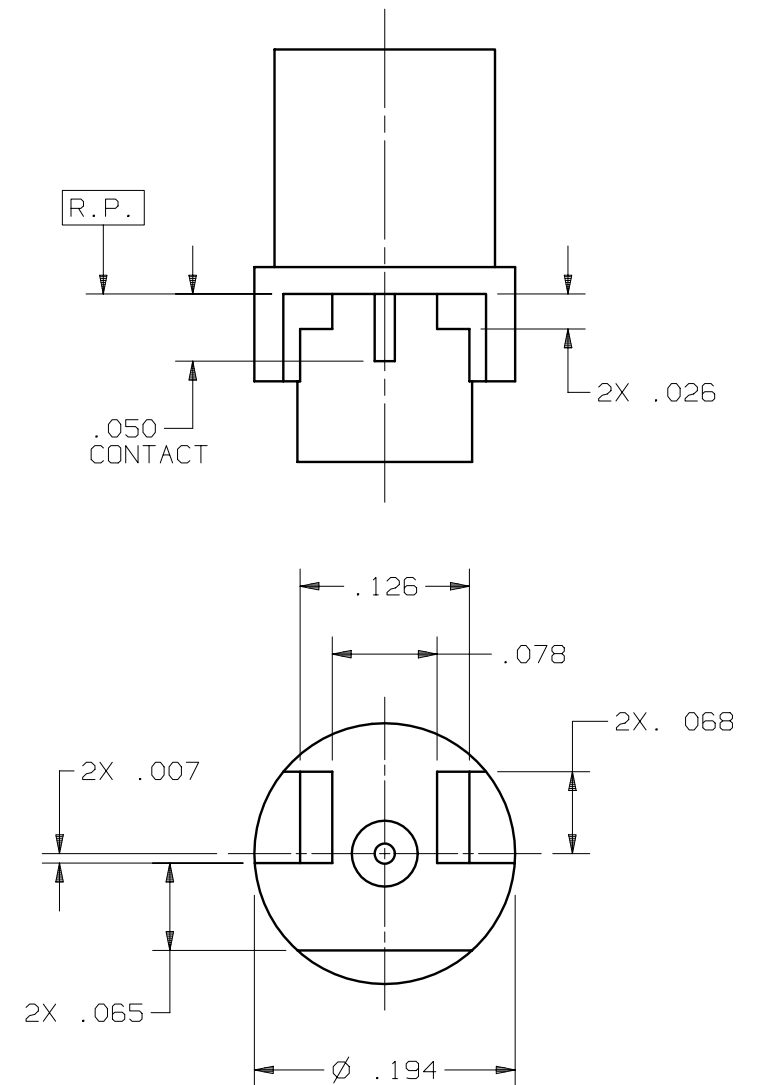
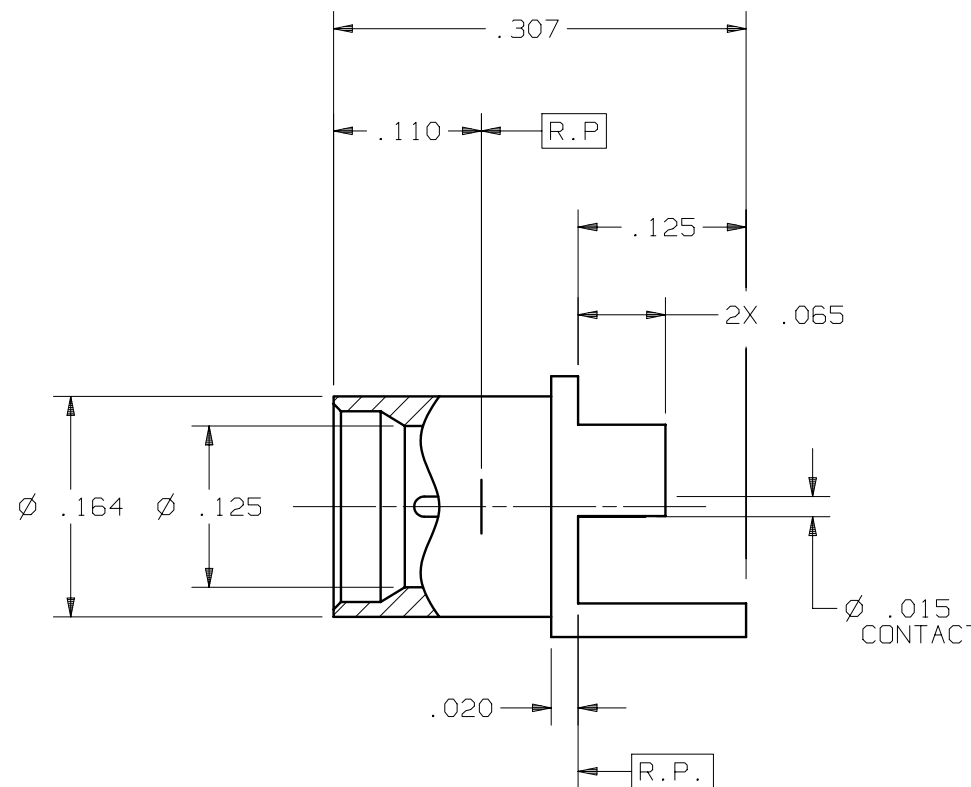
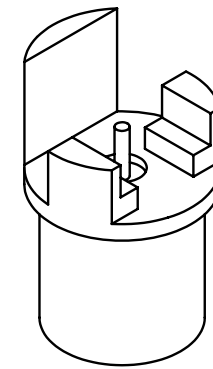
BODY & CONTACT: GOLD PER ASTM B488 OVER NICKEL PER AMS-QQ-N-290

## PERFORMANCE :

IMPEDANCE: 50 OHMS  
 FREQ. RANGE: DC-18.0 GHz  
 R.F. INSERTION LOSS: 0.1dB MAX TO 18.0 GHz  
 VSWR: 1.15:1 MAX. TO 18.0 GHz

## GENERAL :

SMP MALE INTERFACE DIMENSIONS PER MIL-STD-348



**RECOMMENDED PCB MOUNT**

## NOTES:

- FOR RECOMMENDED FOOTPRINT TO YOUR SPECIFIC PCB, CONTACT SV MICROWAVE SALES DEPARTMENT (sales@svmicro.com, 561-840-1800).

SYM.	DESCRIPTION	DATE	APPR.	UNLESS OTHERWISE SPECIFIED: 1) ALL DIMENSIONS ARE AFTER PLATING. 2) BREAK CORNERS & EDGES .005 R. MAX. 3) CHAM. 1s1 & LAST THDS. 4) SURFACE ROUGHNESS 63 / MIL-STD-10. 5) DIAS. ON COMMON CENTERS TO BE CONCENTRIC WITHIN .005 T.I.R. 6) REMOVE ALL BURRS.	DIMENSIONS ARE IN INCHES TOLERANCES:			SV Microwave, Inc. 2400 Centrepark West Drive, Suite 100 West Palm Beach, FL 33409
				DECIMALS .X N/A .XX N/A .XXX N/A	FRACTIONAL ±1/64	ANGULAR X° ±1'0" X°X' ±15"	TITLE: SMP MALE STRAIGHT PCB EDGE MOUNT (SMOOTH BORE)	
-	REL.DCN 31992	08/04	BRT		MATERIAL: SEE ABOVE			DRAWN: BRT 08/24/04 CHECKED: BRT 08/24/04 APPROVED: BRT 08/24/04
				FINISH: SEE ABOVE			□" AREA: N/A	
				SIZE	CAGE NO.	SCALE	DWG. NO.	
				B	95077	7X	1285-6004	