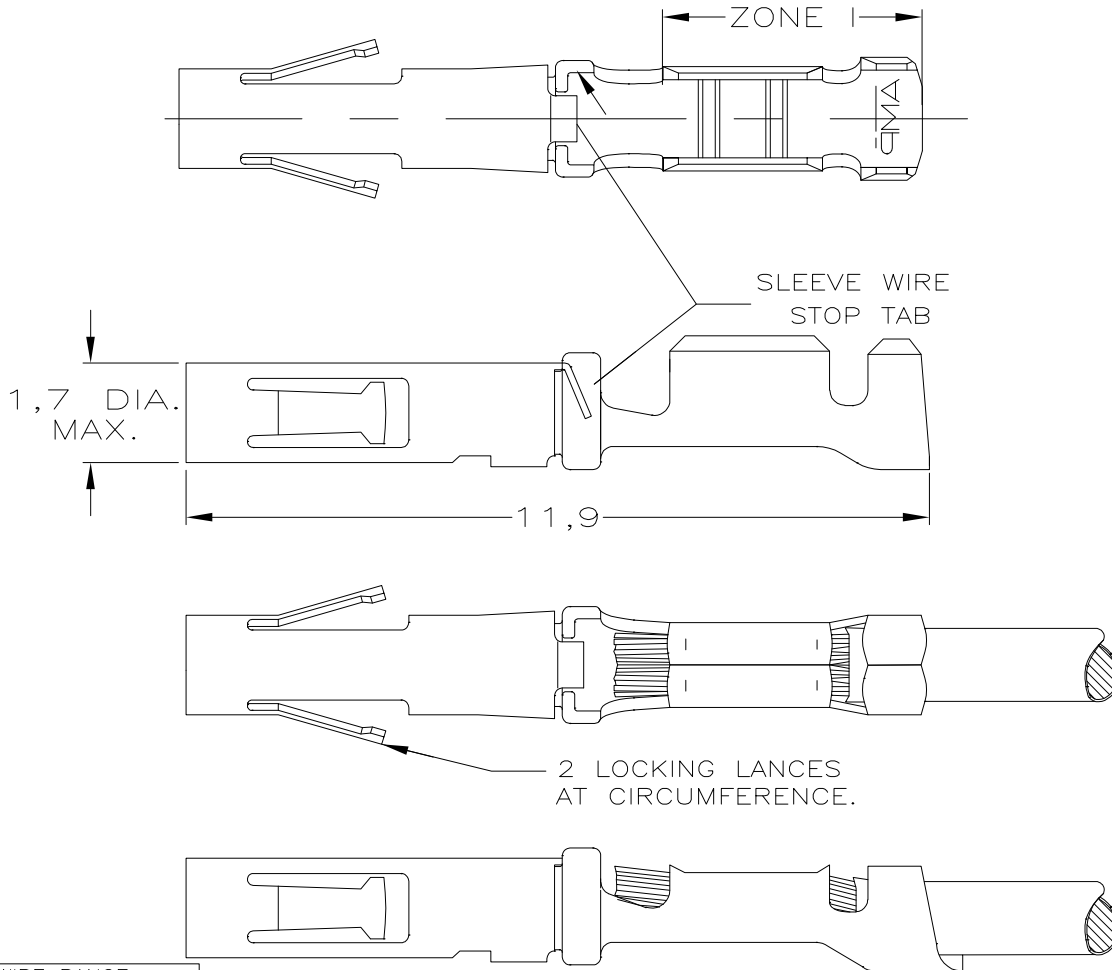


LOC	DIST	REVISIONS					
E	B	P	LTR	DESCRIPTION	DATE	DWN	APVD
			F	EBD0-0463-04	08DEC04	RS	MG
			F1	REVISED PER ECO-09-020689	24AUG09	KK	AEG

NOTES:

- ① FOR STRIP VERSION SEE DWG. 164153.
- ② UNDERCOATING: 1,3µm Ni.
SELECTIVE : 0,8µm Au.
ZONE I : BRIGHT TIN PLATED.
- ③ UNDERCOATING: 1,3µm Ni.
SELECTIVE : 0,8µm Au.
REMAINDER : GOLDFLASH.
- ④ OBSOLETE PARTS: OBSOLETE CIS STREAMLINING PER D.RENAUD/D.SINISI



WIRE RANGE :
24-20 AWG 0,20-0,56 mm²
INSULATION RANGE :
1,57 DIA. MAX.

STAINLESS STEEL	SEE NOTE ②	BRASS	164169-4
	PRETINNED		164169-3
	POST TINPLATED		④ 164169-2
	SEE NOTE ③		164169-1
MATERIAL OF SLEEVE	PLATING OF BODY	MATERIAL OF BODY	PARTNUMBER

RELEASED FOR PUBLICATION
JAN 1, 1993.

ALL RIGHTS RESERVED.

BY TYCO ELECTRONICS CORPORATION.

COPYRIGHT 1993

THIS DRAWING IS UNPUBLISHED.

DIMENSIONS: mm	DWN J.v.LIEMPT 6 JAN 1993	MATERIAL -	FINISH -
	CHK C.v.TILBURG 08-02-93	Tyco Electronics Corporation Harrisburg, PA 17105-3608	
TOLERANCES UNLESS OTHERWISE SPECIFIED:	APVD L.v.SOEST 08-02-93		
0 PLC ± -	PRODUCT SPEC -	SIZE A4	CAGE CODE 00779
1 PLC ± -	APPLICATION SPEC -	DRAWING NO C-164169	RESTRICTED TO -
2 PLC ± -		WEIGHT -	SCALE -
3 PLC ± -	CUSTOMER DRAWING		
4 PLC ± -	REV F1		
ANGLES ± -	SCALE - SHEET 1 OF 1 REV F1		