

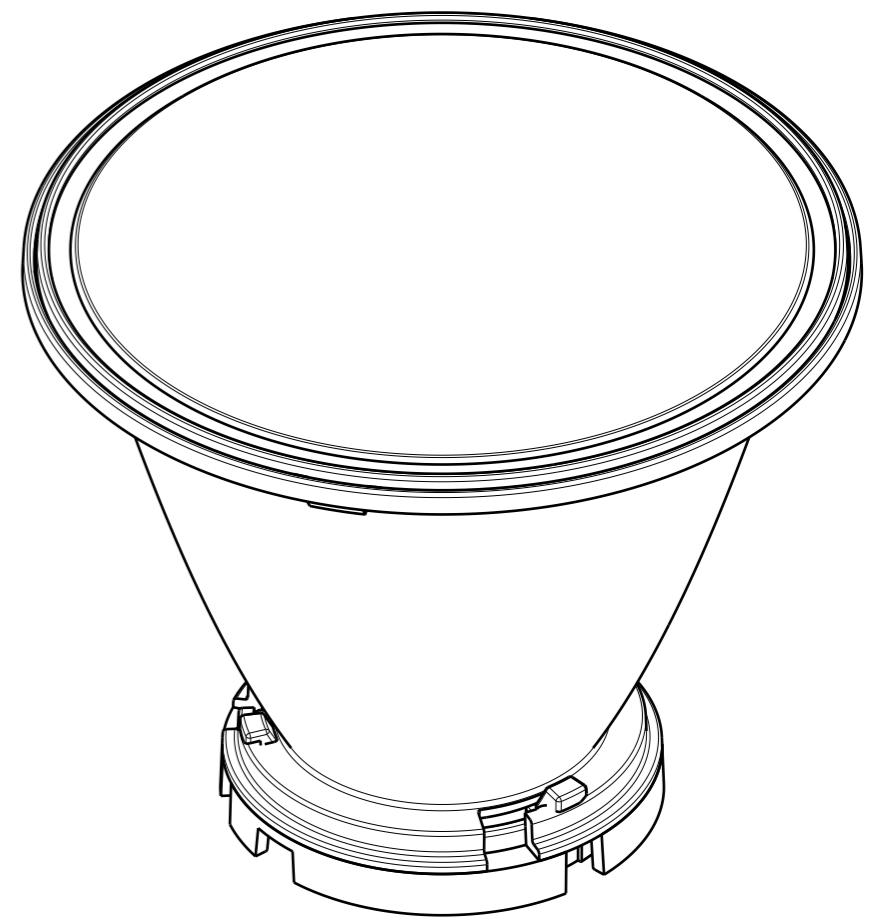
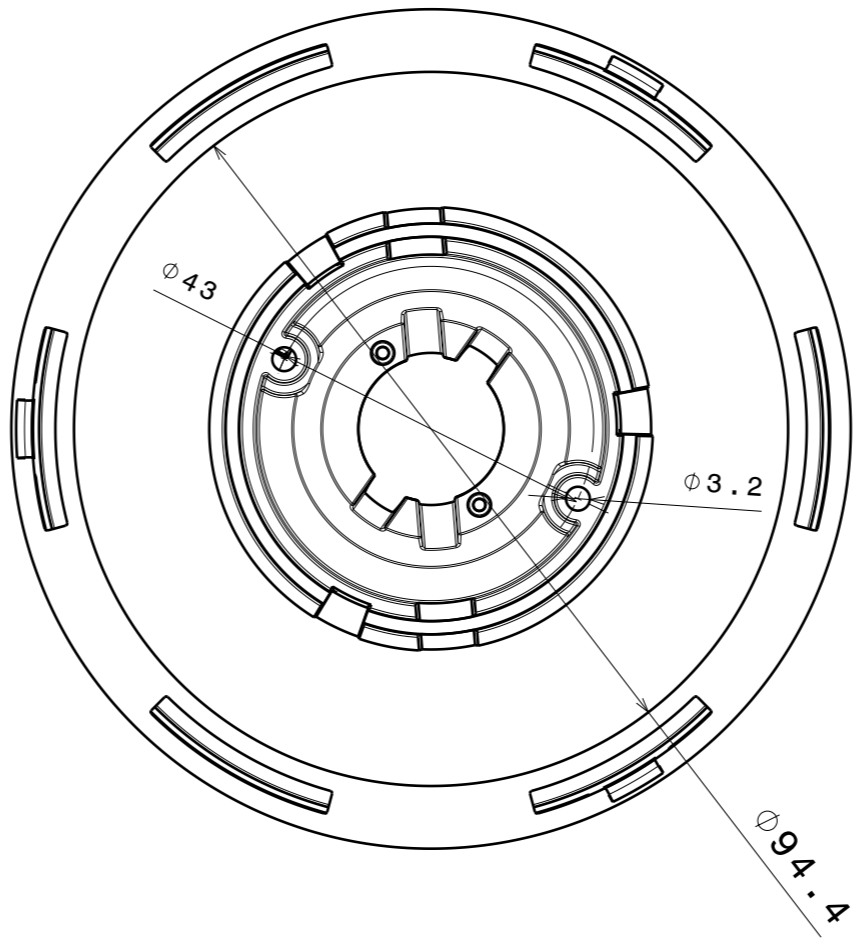
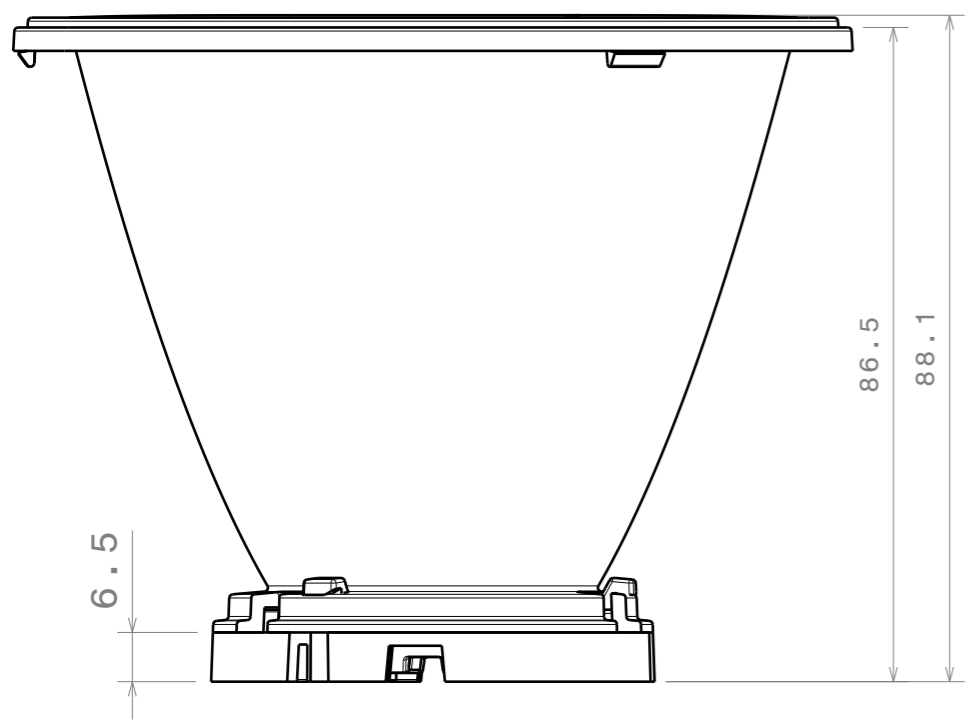
DETAILS

Product Number	CN12927_LENA-M
Family	Lena
Type	RefPack
Color	metal
Diameter	111 mm
Height	86,5 mm
Style	round
Optic Material	
Holder Material	
Fastening	screw, socket
Status	production ready
ROHS Compliant	Yes
Date Updated	23/02/2014

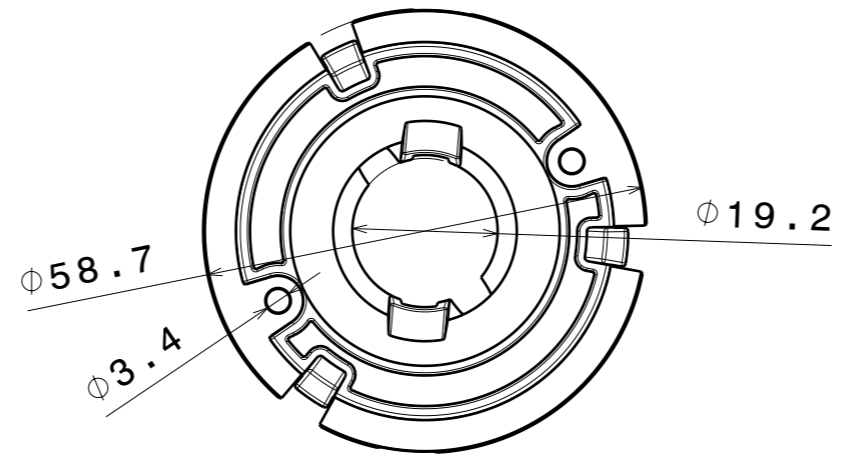
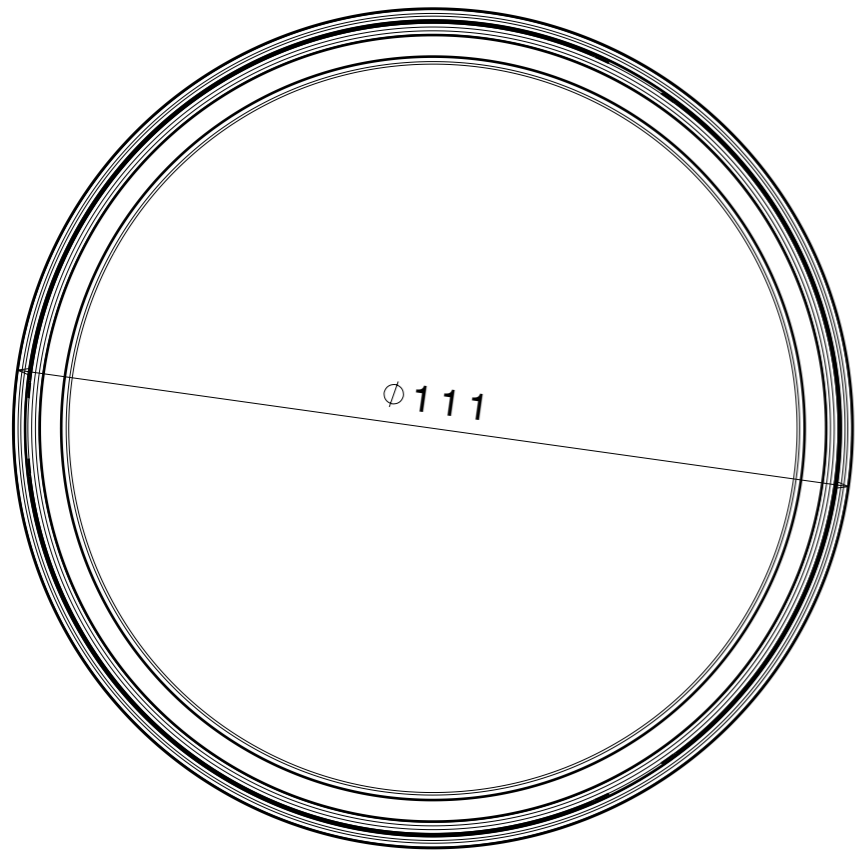
OPTICAL PROPERTIES

LED	Viewing Angle	Light Beam	Efficiency	cd/lm	Connector
LUXEON K16	20 deg	Medium	77 %	0.460	-
LUXEON K12	19 deg	Medium	80 %	0.530	-





Isometric view

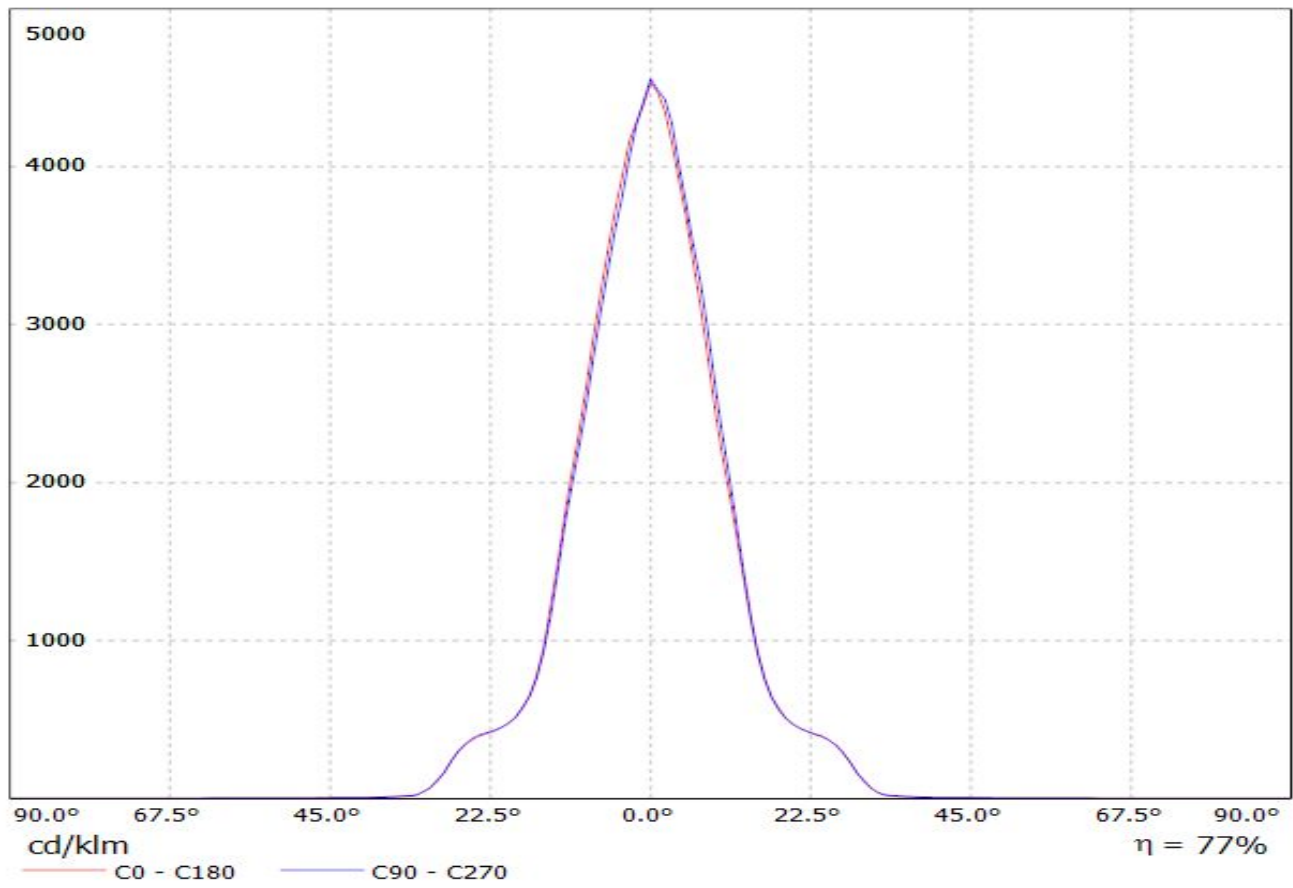


- Material:
- subLens
 - PC
 - Reflector
 - PC
 - Metal coating and clear lacquer
 - Holder base
 - PC
 - Color white

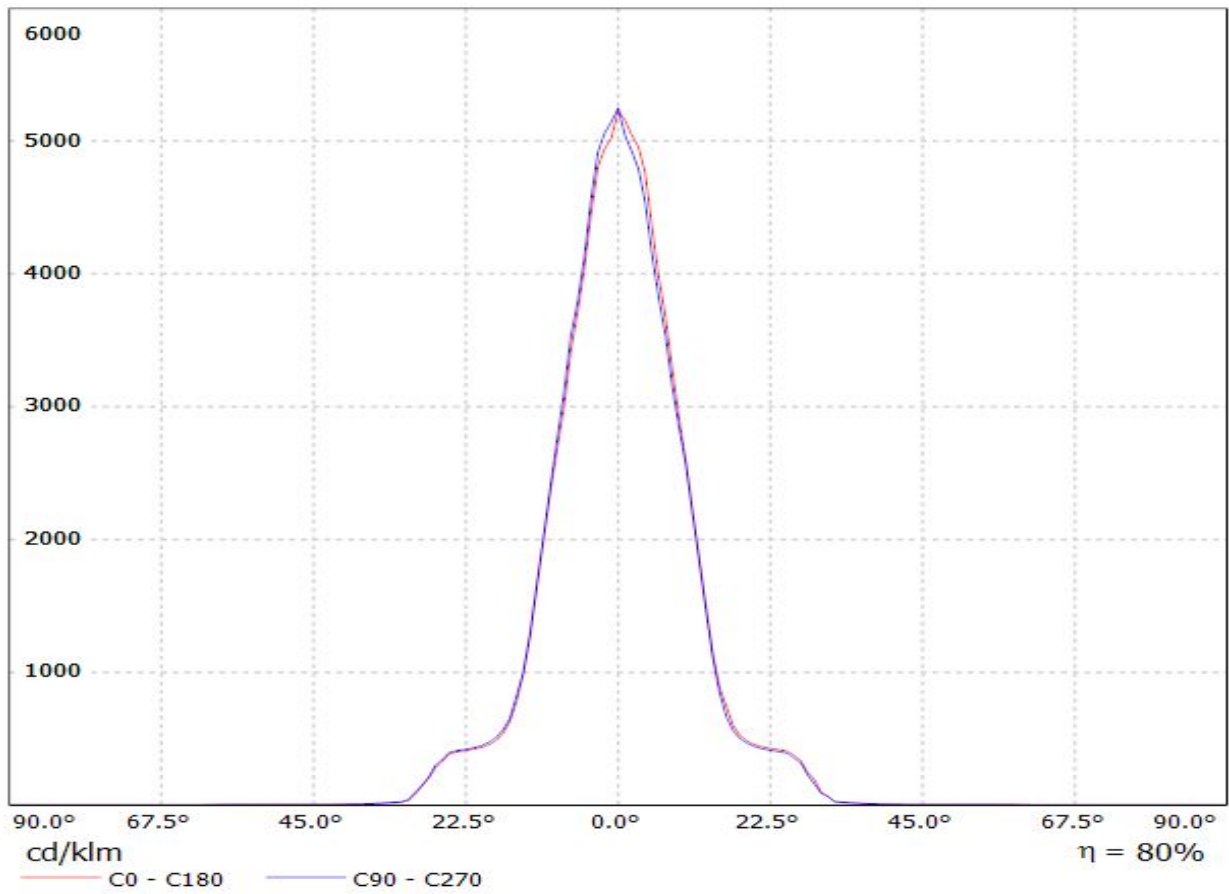
Base part designed for Philips Lumileds LUXEON K, 12up and 16up versions

This drawing is our property. It can't be reproduced or communicated without our written agreement.		 Ledil Oy Salorankatu 10 FIN 24240 SALO Finland	
DRAWN BY as		DATE 3.8.2012	
CHECKED BY vs		DATE 3.8.2012	
DESIGNED BY p1		DATE -	
DRAWING TITLE LENA-LUXEON-K Mechanical drawing		Part Drawing	
SIZE A3	PART NUMBER	REV 001	
SCALE 1:1	WEIGHT	SHEET 1/1	

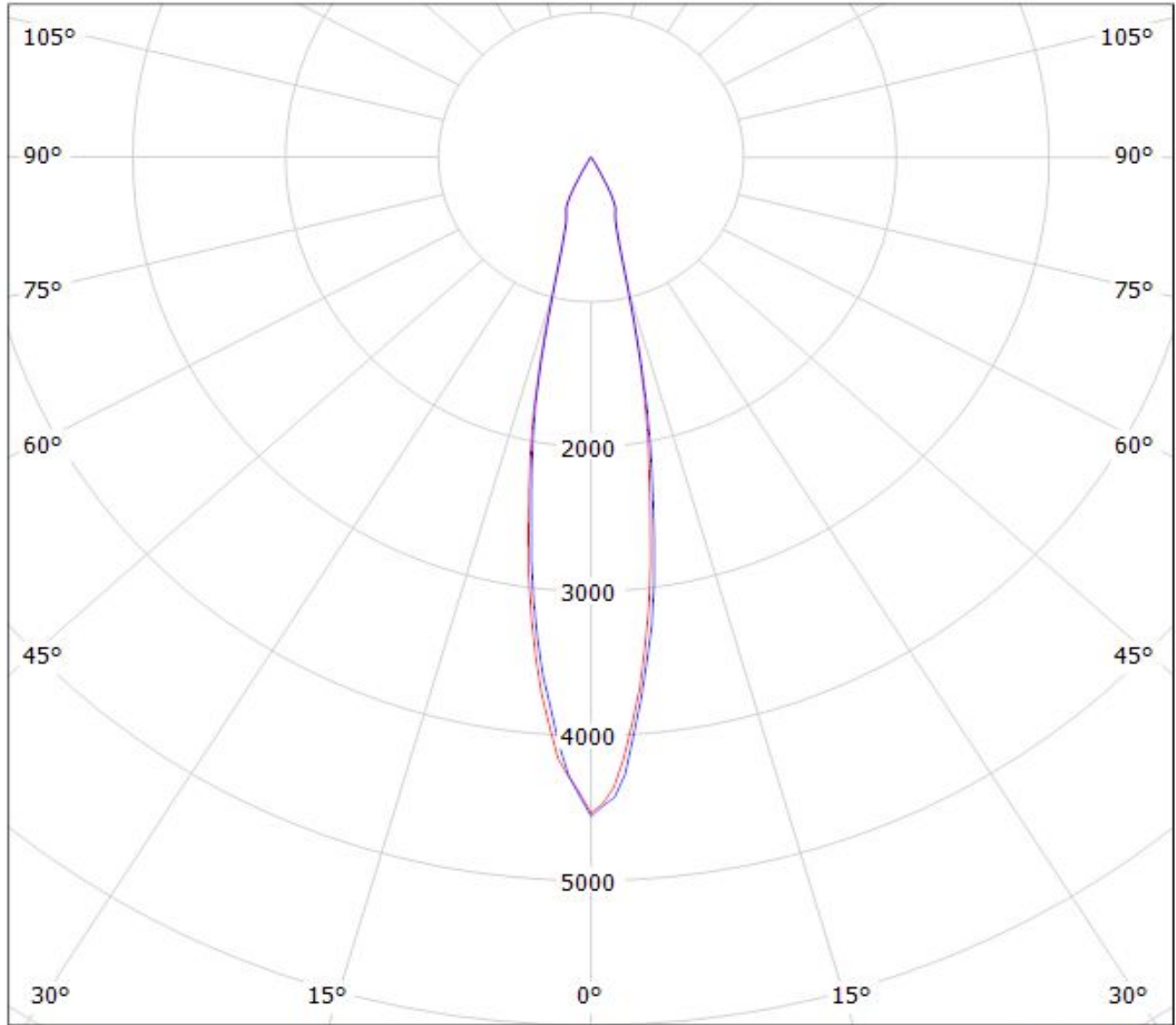
Luminaire: LEDiL Oy CN12927_LENA-M_(Luxeon_K16) Eff.77.2%
Lamps: 1 x Luxeon_K16 (1208.05lm@250mA)



Luminaire: LEDiL Oy CN12927_LENA-M_(Luxeon_K12) Eff.79.7%
Lamps: 1 x Luxeon K12 (808.5lm@250mA)



Luminaire: LEDiL Oy CN12927_LENA-M_(Luxeon_K16) Eff.77.2%
Lamps: 1 x Luxeon_K16 (1208.05lm@250mA)



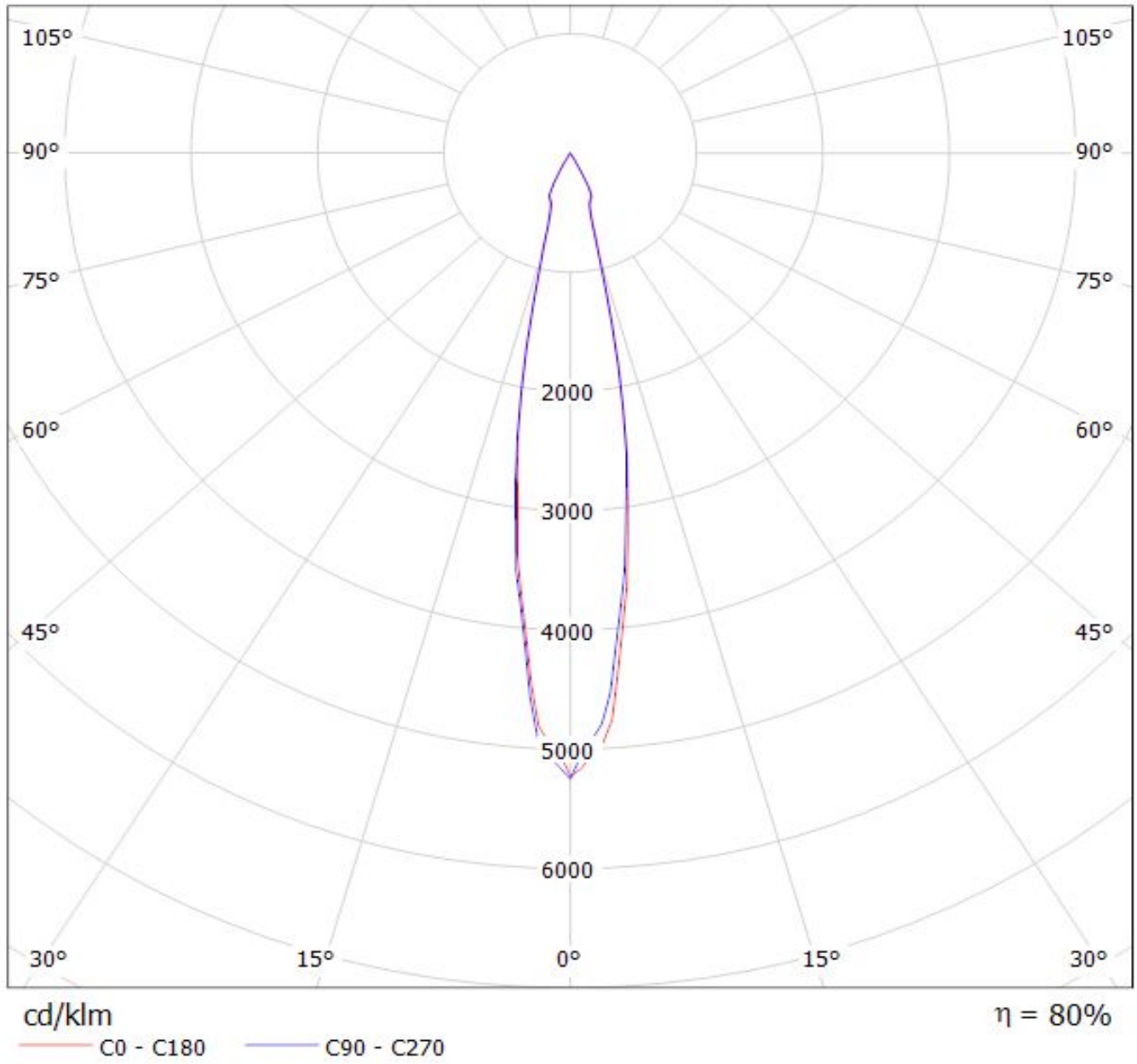
cd/klm

— C0 - C180

— C90 - C270

$\eta = 77\%$

Luminaire: LEDiL Oy CN12927_LENA-M_(Luxeon_K12) Eff.79.7%
Lamps: 1 x Luxeon K12 (808.5lm@250mA)



NOTE: The typical divergence will be changed by different color, chip size and chip position tolerance. The typical total divergence is the full angle measured where the luminous intensity is half of the peak value.