

1 2 3 4 5 6

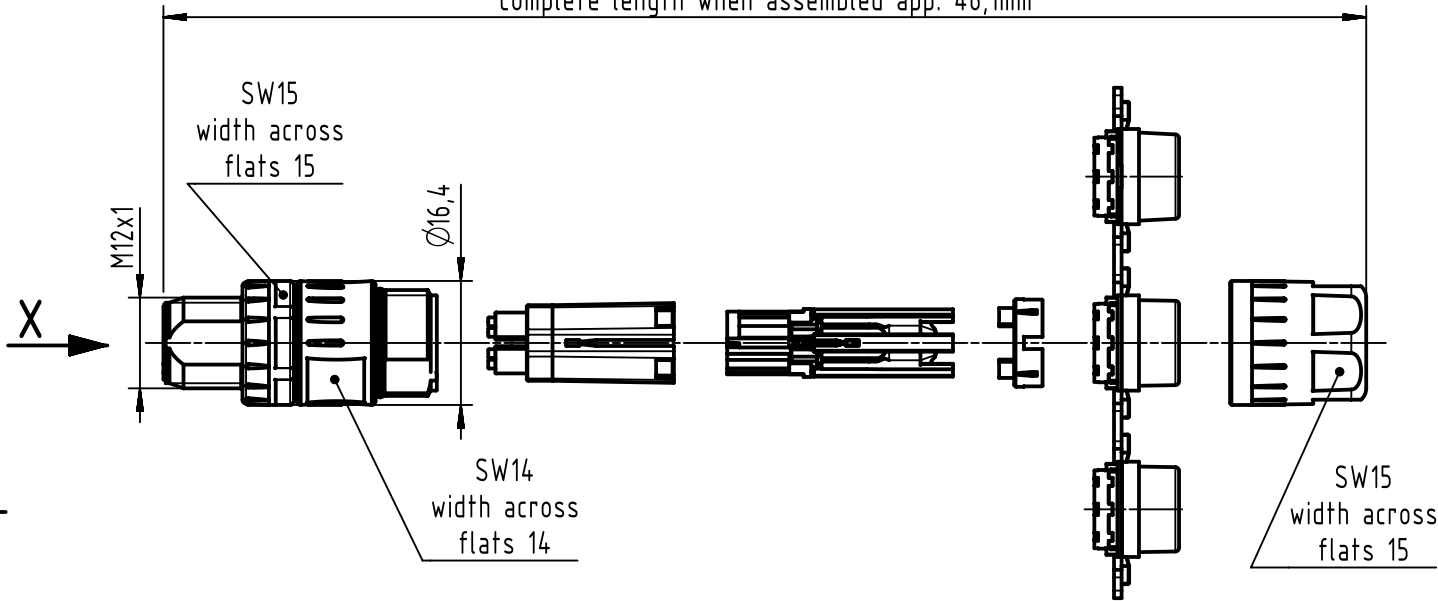
A

B

C

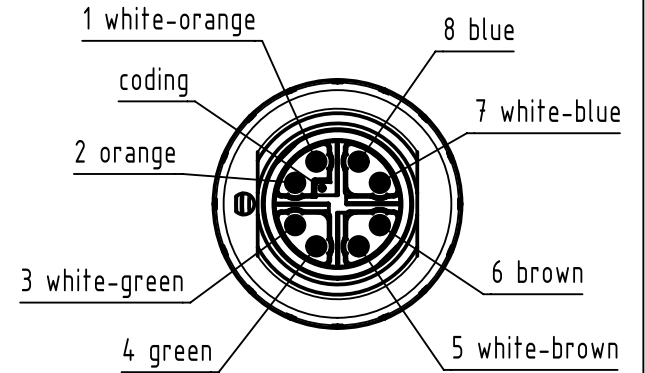
D

complete length when assembled app. 46,1mm



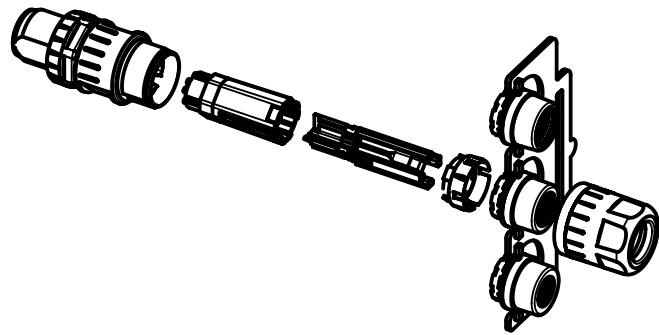
X (2:1)

contact face acc. to IEC 61076-2-109



order contacts separately

cable Ø	wire gauge	part-no.
5,7-8,8mm	AWG 24-28	21 01 100 9014
	AWG 23-26	21 01 100 9019



	All Dimensions in mm Original Size DIN A4	Scale 1:1	Free size tol.			Ref. Sub.	
	All rights reserved Department EC PD - RO	Created by TAMAS	Inspected by AVRAM	Standardisation HOFFMANN	Date 2016-03-14	State Final Release	
HARTING Electronics GmbH D-32339 Espelkamp					Title har-speed M12 crimp Slim 8-pole male		Doc-Key / ECM-Nr. 100520048/UGD/000/C 500000101682
Type TB		Number 21038811805			Rev. C	Page 1/1	