

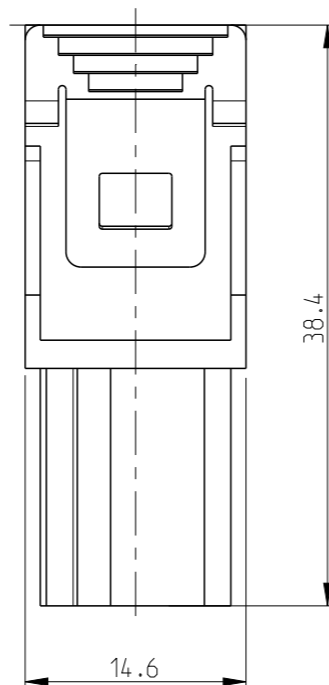
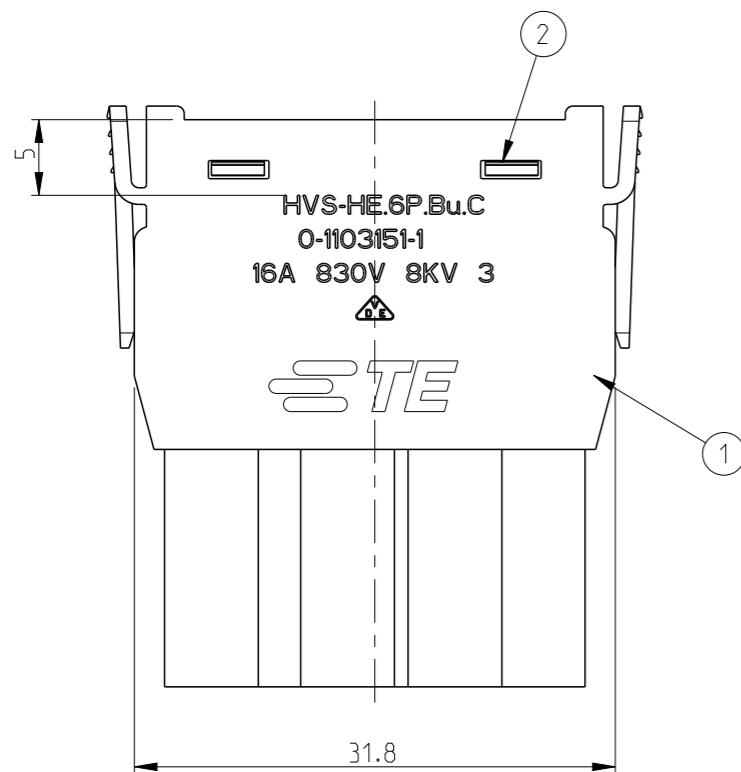
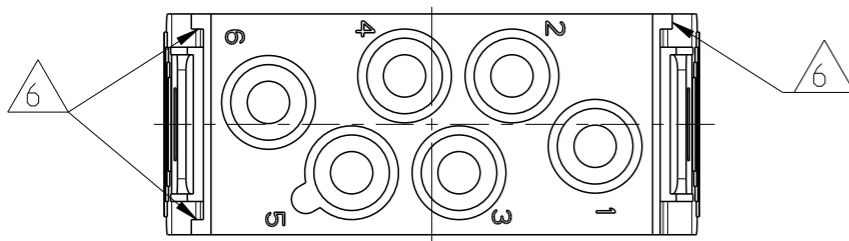
LOC
A1

DIST

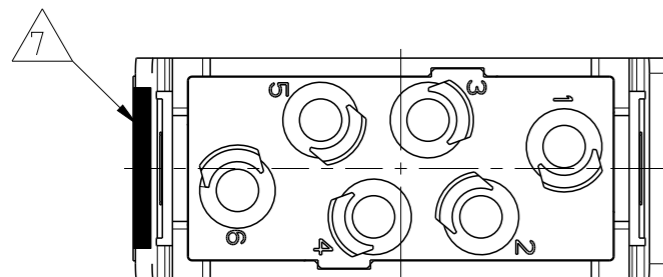
REVISIONS

P	LTR	DESCRIPTION	DATE	DWN	APVD
	C	ECR-15-007536	30MAY2015	GSK	JB

PN 0-1 As Shown
Contact arrangement
view from connecting side



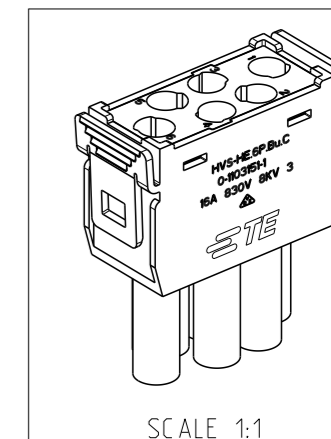
PN 0-1 As Shown
Contact arrangement
view from termination side



NOTES

- SUITABLE CRIMP CONTACTS: SERIES HE/HA
CUSTOMER DRAWING: 1105101
OUTER DIMENSIONS OF INSULATION: MAX. Ø4.9mm
- SUITABLE MODULE FIXING FRAME: SERIES HVS SIZE 3 TO 8
CUSTOMER DRAWING: 1103250
- SUITABLE INSERTION TOOL:
CUSTOMER DRAWING: 0-1102855-6
- SUITABLE EXTRACTION TOOL:
CUSTOMER DRAWING: 0-1102855-7
- STANDARDS:
DIN EN 61984; DIN EN 60664-1
- POLARIZATION RIPS
- MARKING OF POLARIZATION ACCORDING TO MARKING OF MODULE FRAME
- PACKAGING:
10 SETS IN A CARTON, PRE-MOUNTED

PN 0-1 As Shown



QTY	DESCRIPTION	MATERIAL	COLOR	ITEM
1	FEMALE INSERT	PBT-GF10	LIGHT GREY	1
1	COVER FOR FEMALE INSERT	PBT-GF15	LIGHT GREY	2

HVS-HE.6P.Bu.C

THIS DRAWING IS A CONTROLLED DOCUMENT.

DIMENSIONS: mm	TOLERANCES UNLESS OTHERWISE SPECIFIED: ISO 8075 DIN 150 2768 mh-E DIN 16901-120
	0 PLC ± 1 PLC ± 2 PLC ± 3 PLC ± 4 PLC ± ANGLES ±
MATERIAL	FINISH

DWN	M.SCHWEIGER	12.10.2005
CHK	T.SCHNURPFIL	13.10.2005
APVD	T.SCHNURPFIL	13.10.2005
PRODUCT SPEC	108-74054	
APPLICATION SPEC	114-74073	
WEIGHT		

TE TE Connectivity

NAME FEMALE INSERT HVS-HE.6P.BU.C			
SIZE	CAGE CODE	DRAWING NO	RESTRICTED TO
A3	00779	0-1103151	
CUSTOMER DRAWING		SCALE 2:1	SHEET 1 OF 1 REV C