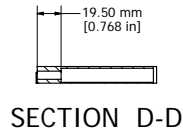
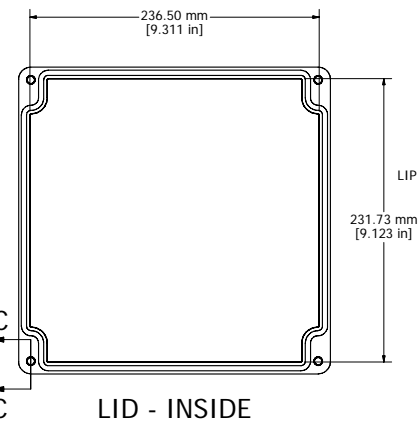


SECTION B-B

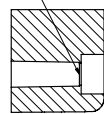


SECTION D-D

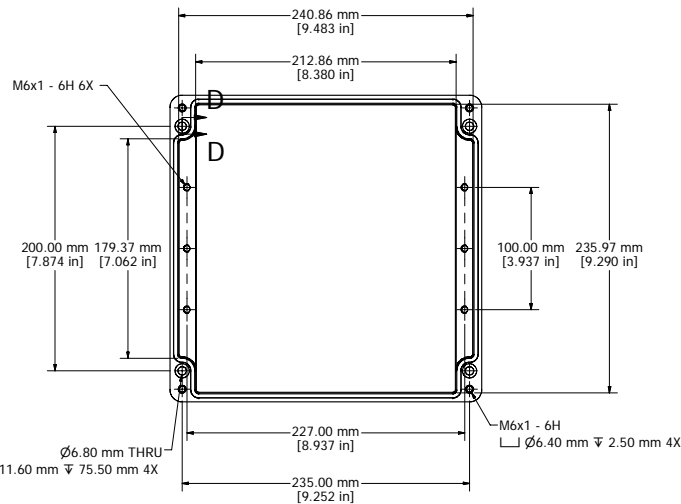
INNER PANEL



LID - INSIDE



SECTION C-C



BOX - INSIDE

UL US LISTED
File #E65324
NEMA 4, 4X

FIBERGLASS ENCLOSURE	
INCLUDES	
1	ENCLOSURE
4	M6 x 28mm PAN HEAD SCREWS
ACCESSORIES	
STEEL INNER PANEL	1590ZGRP234PL

HAMMOND MANUFACTURING™
1590ZGRP234
www.hammondmfg.com