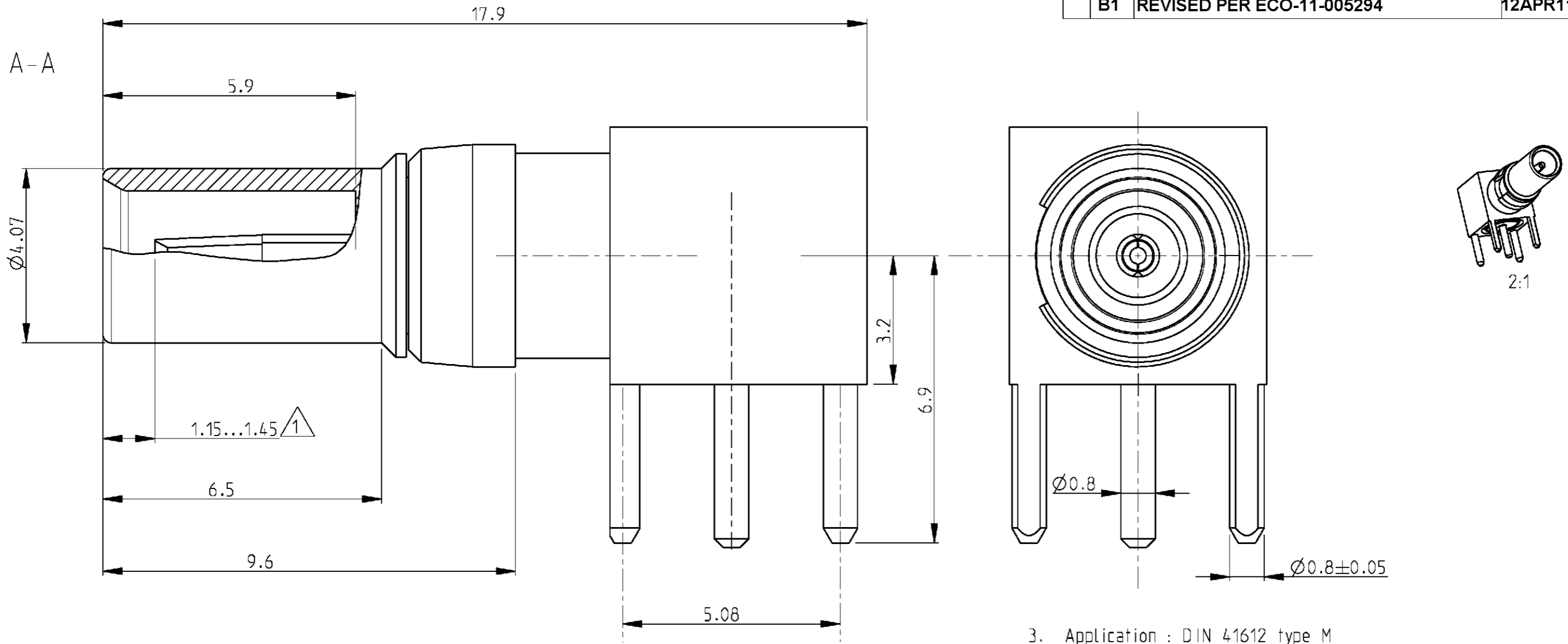


THIS DRAWING IS UNPUBLISHED. RELEASED FOR PUBLICATION  
 © COPYRIGHT ALL RIGHTS RESERVED.

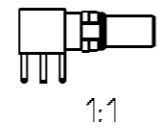
LOC	DIST	REVISIONS			
P	LTR	DESCRIPTION	DATE	DWN	APVD
GW	-	B1	REVISED PER ECO-11-005294	12APR11	RK HMR



- 3. Application : DIN 41612 type M
- 2. Mating face according to DIN 41626 , Part 2
- ① Control dimension

All dimensions are max dimensions unless otherwise specified

V23601-A1227-E1	1-1393662-4	Dielectric	PTFE	
		Outer Con.	Brass	1µm Au min in contact area
		Center Con.	Cu Be	1µm Au min in contact area
Old Nr	TE CONNECTIVITY Nr	Description	Material	Plating



DIMENSIONS: mm 		TOLERANCES UNLESS OTHERWISE SPECIFIED: 0 PLC ±0.5 1 PLC ±0.13 2 PLC ±0.013 3 PLC ±0.0001 4 PLC ANGLES ±		DWN MOROBE 04APR2001 CHK MATTHEEUWS 9APR2001 APVD LEEMAN 9APR2001 PRODUCT SPEC 108-71032 APPLICATION SPEC -			
MATERIAL -		FINISH -		WEIGHT -		NAME BULKHEAD ANGLE JACK WITH PCB CONNECTION 1.0/2.3 INSERT 50 Ohm SIZE A3 CAGE CODE 00779 DRAWING NO 1-1393662-4 RESTRICTED TO -	
				SCALE 10/1		SHEET 1 OF 1 REV B1	