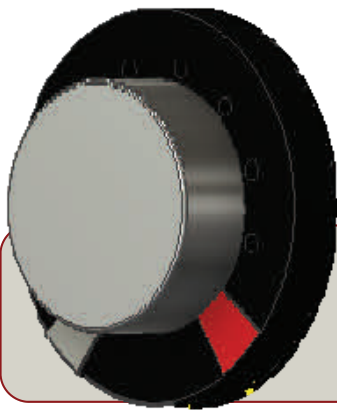


Introducing the Audio Sound eXcitors

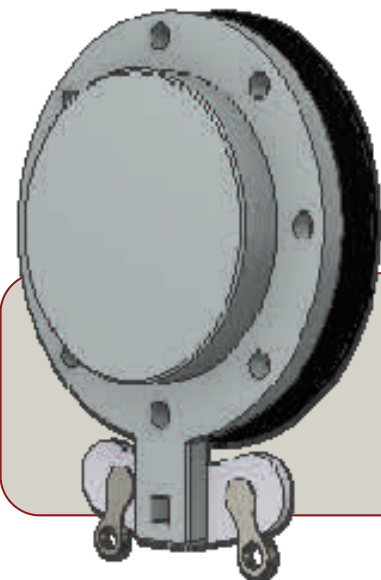
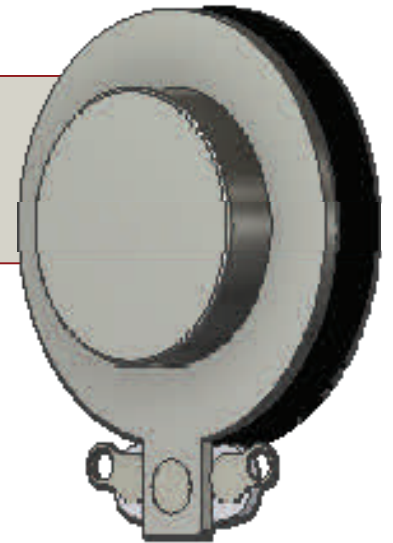
Join the audio revolution with PUI Audio's new exhilarating **A**udio **S**ound **eX**citors! Transform nearly anything into an audio generating device without the challenges of speakers: complex chambers, the worry of environmental damage, or the need to change the look of your product with speaker holes just to have it make sound.



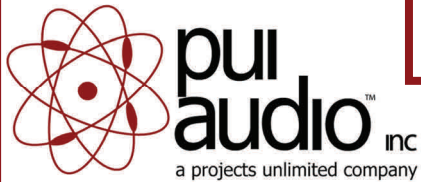
They are driven just like a speaker, so your product that uses speakers is already compatible without any redesign... perfect for making your device **completely water and dust proof!**

The **ASX02104-R** and **ASX02108-R** measure only 21mm in diameter and 8.5mm in height. Great for replacing speakers up to 30mm in diameter.

PUI Audio's **ASX02604-R** and **ASX02608-R** have amazing output for their size—26.3mm diameter by 9.5mm height—and can replace up to 40mm diameter speakers.



Choose the **ASX03304-R** or **ASX03308-R** for high output that can replace speakers up to 50mm in diameter. A 34mm diameter footprint and 12.5mm height allows for wide placement options.



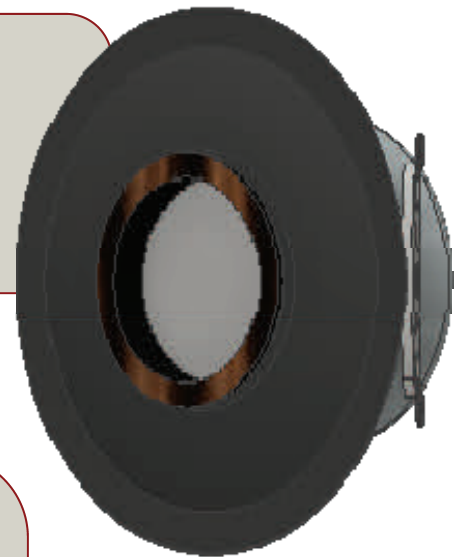
Introducing the Audio Sound eXcitors

For applications where high output is needed but height is constricted, choose the 6.5mm tall slim mount **ASX03304-SM-R** or **ASX03308-SM-R**.



Robustly built, the **ASX03604-R** and **ASX03608-R** are designed for high output and wide-range frequency response.

A cupped spider and wide roll surround is built into the **ASX04004-R** and **ASX04008-R** for low frequency extension.



The housing of the 70mm **ASX07008-WP-R** is built to an IP67 ingress rating. Its waterproof, dust-free housing allows it to be used almost anywhere—even on the inside of pools or hot tubs!

