

1 0 1 2 4 3 5 0 - 1 0 X L F

LEAD-FREE DESIGNATION
ONLY WITH APPLICABLE
PLATING CODES

SEE NOTE 2

MODULE DESCRIPTION	LETTER DESIGNATION REPRESENTED IN DASH NUMBER										BASE MODULE
LEFT POLARIZING GUIDANCE MODULE (SEE SHEET 3)	N	J (NO KEY)	A	B	C	D	E	F	G	H	
	NO KEY NO GUIDE PIN										
RIGHT POLARIZING GUIDANCE MODULE (SEE SHEET 2)	Z	Y (NO KEY)	P	Q	R	S	T	U	V	W	
	NO KEY NO GUIDE PIN										

Copyright FCI

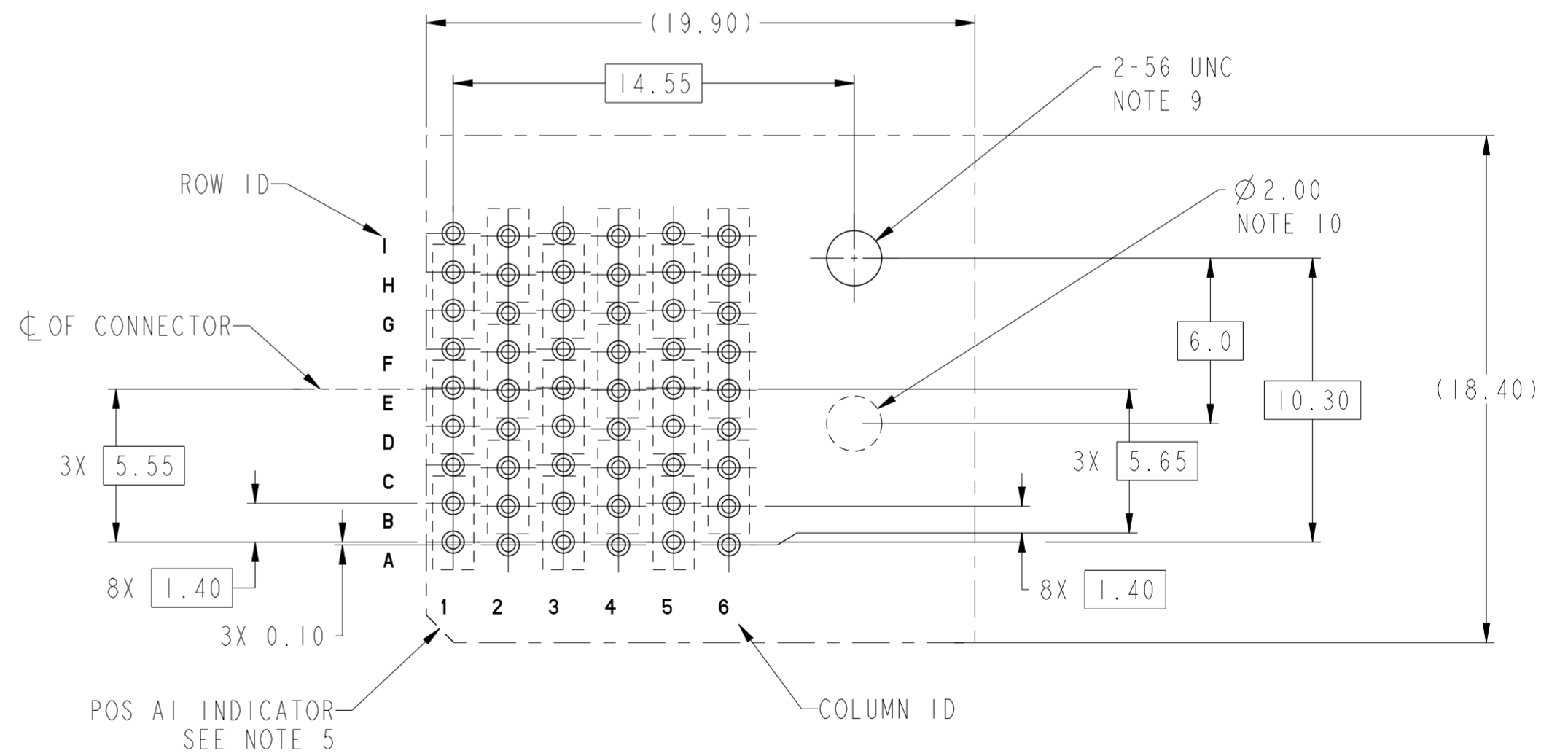
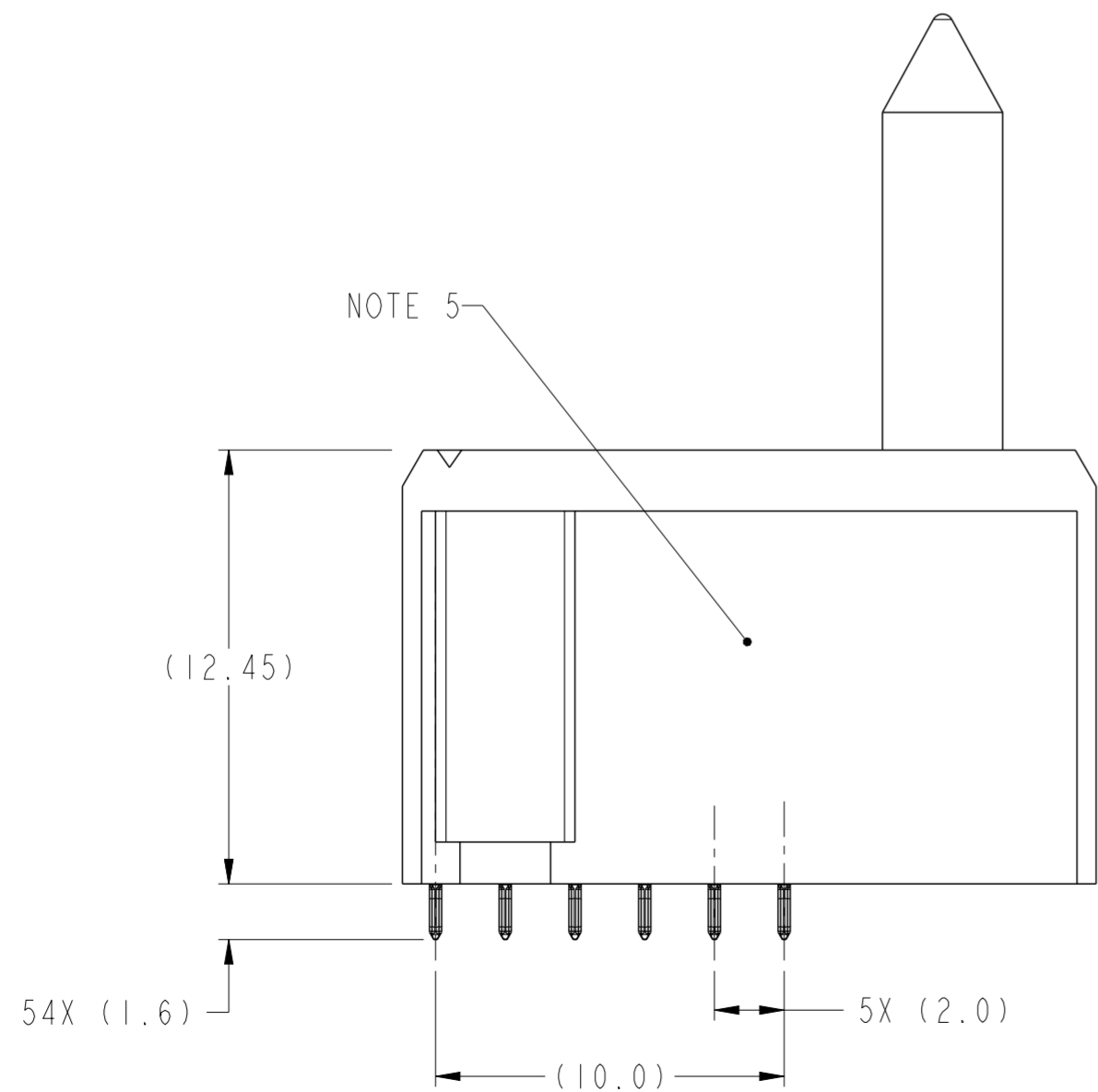
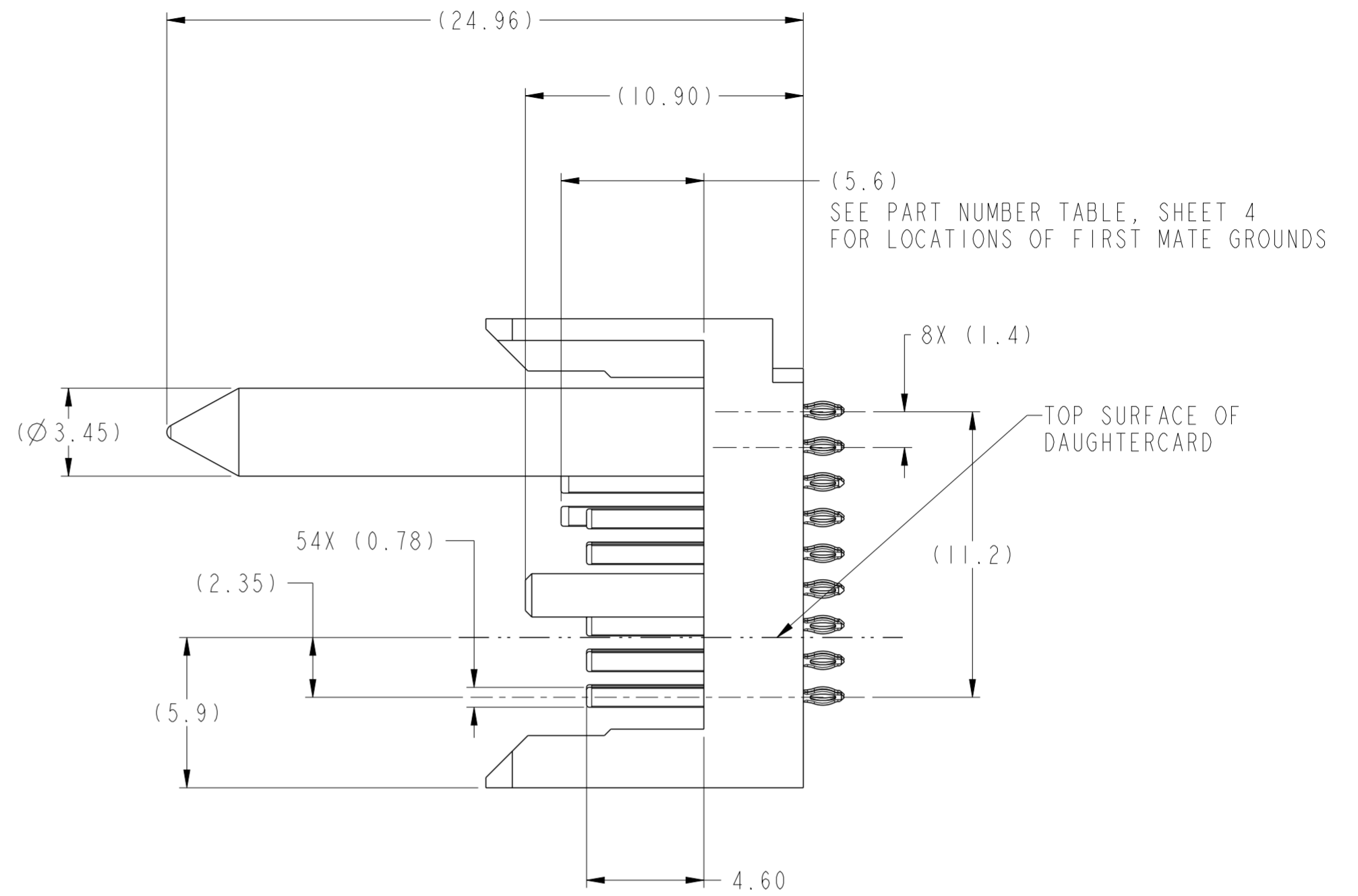
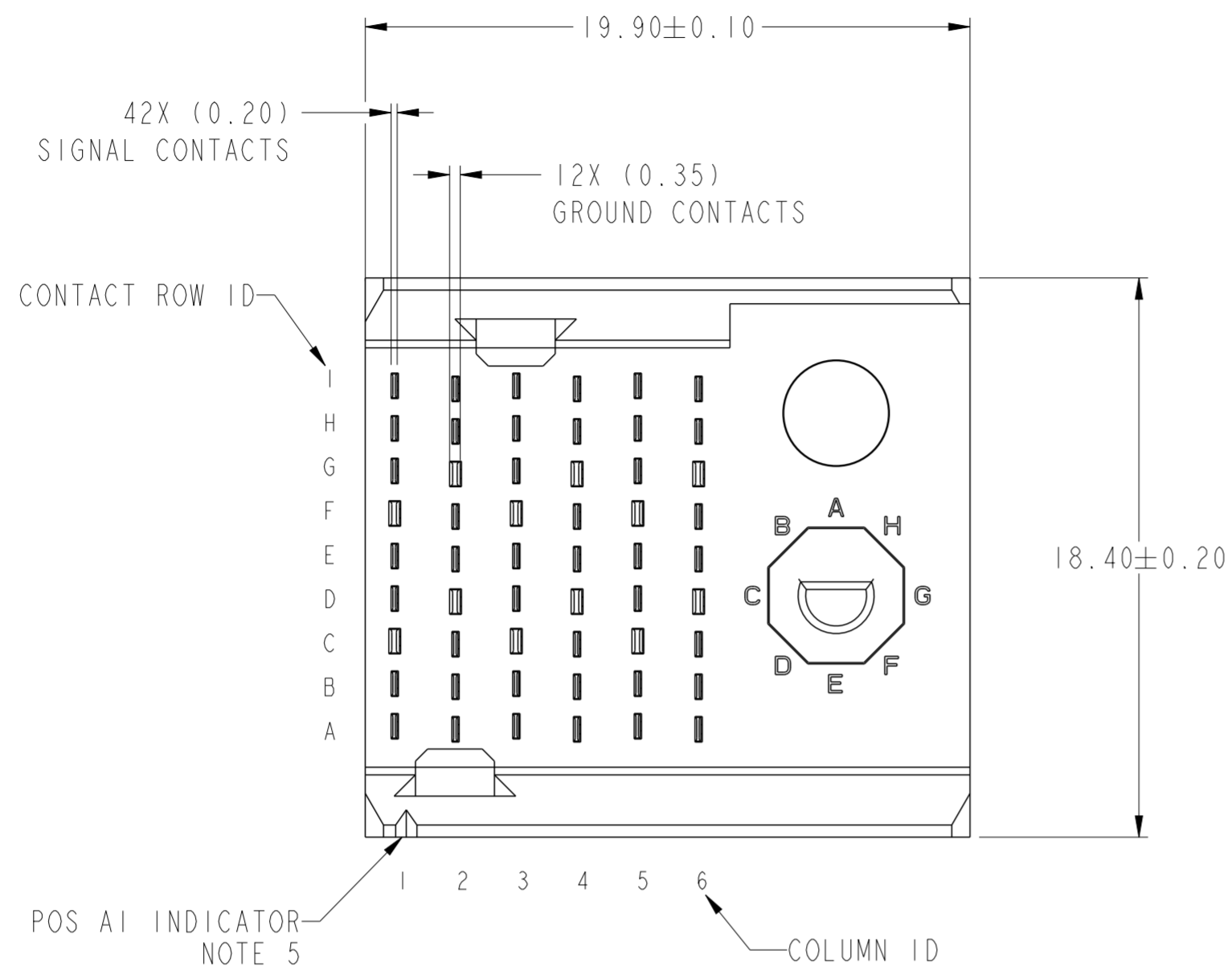
spec ref	-	dr	M Srinivasan	2013/02/28	projection	MM	size	A2	scale	5:1		
tolerance std	ASME Y14.5	eng	Tao Zhan	2015/05/26			ecn no	ELX-DG-20978-1				
TOLERANCES UNLESS OTHERWISE SPECIFIED		chr	-	appr			Pei-Ming Zheng	2015/05/27	product family	AIRMAX VS2		
surface	linear	0.X	±0.3		AIRMAX VS2 VERTICAL HEADER PRESS-FIT, 3-PAIR, 54 POS, W/G	cat. no.	Product - Customer Drw	rel level	Released			
	0.XX	±0.15	dwg no					10124350		rev	B	
	0.XXX	±0.050	sheet 1 of 4									
ASME Y14.5	angular	0°	±2°	www.fci.com								

PDS: Rev :B

STATUS:Released

Printed: May 27, 2015

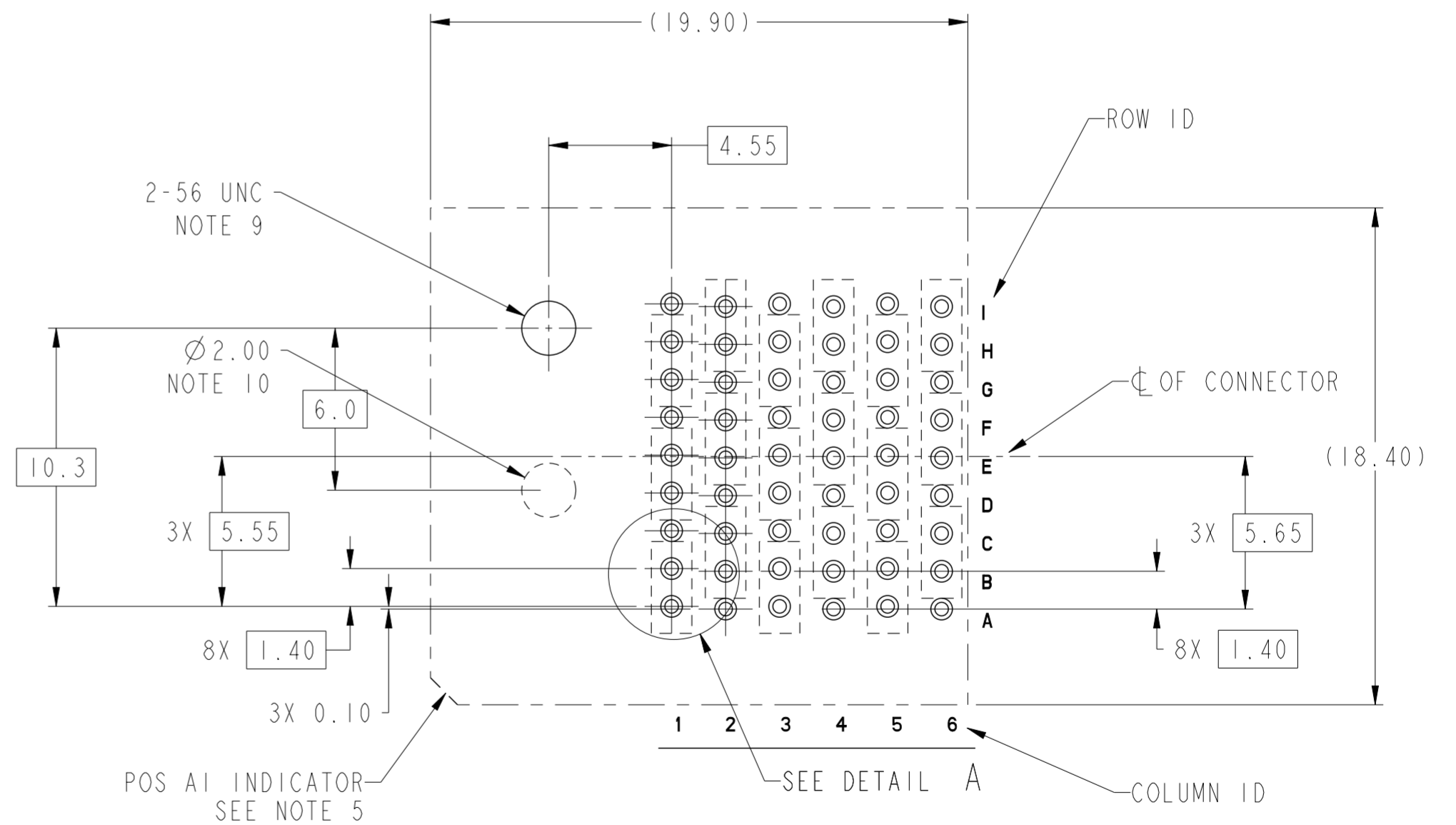
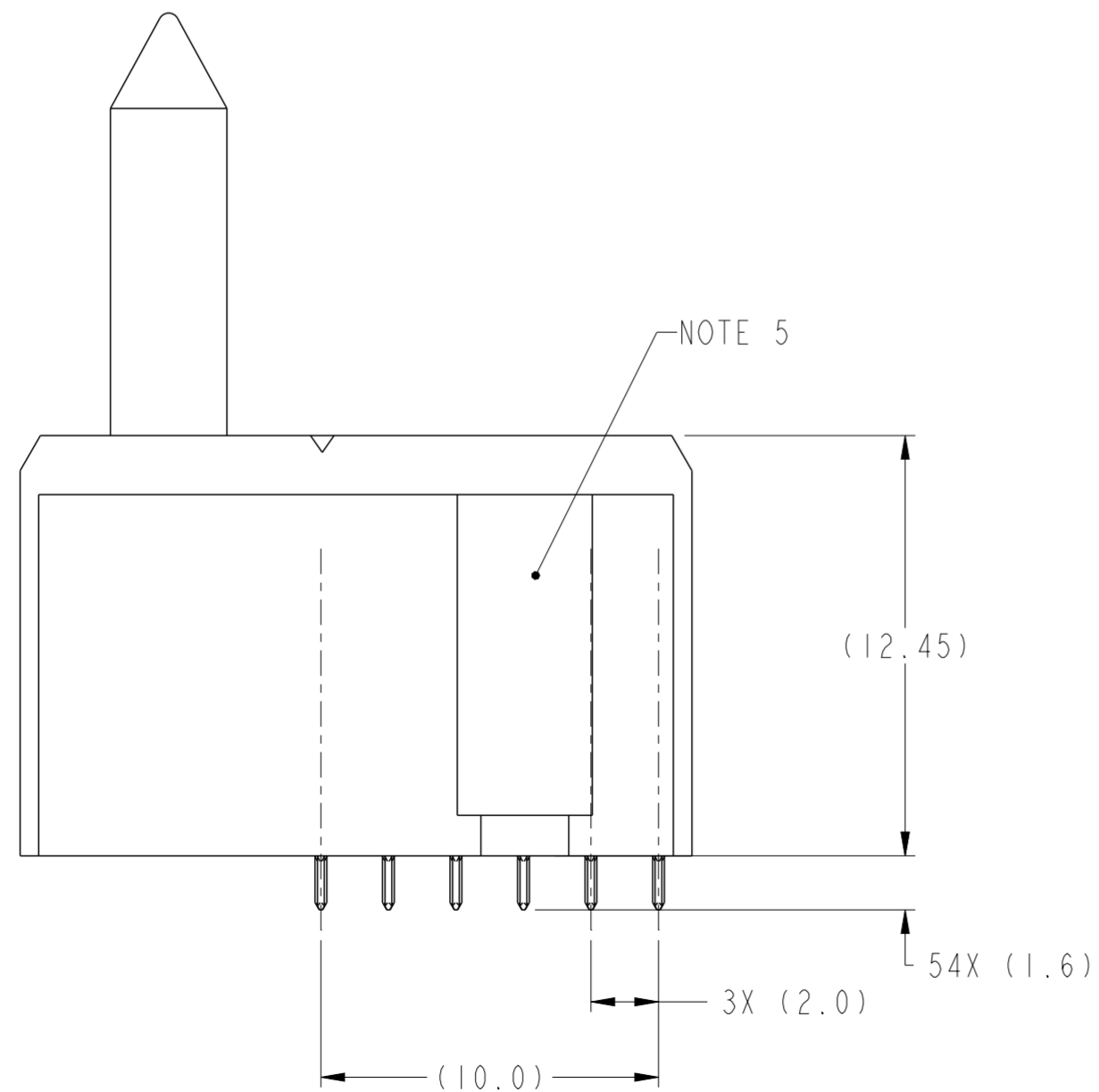
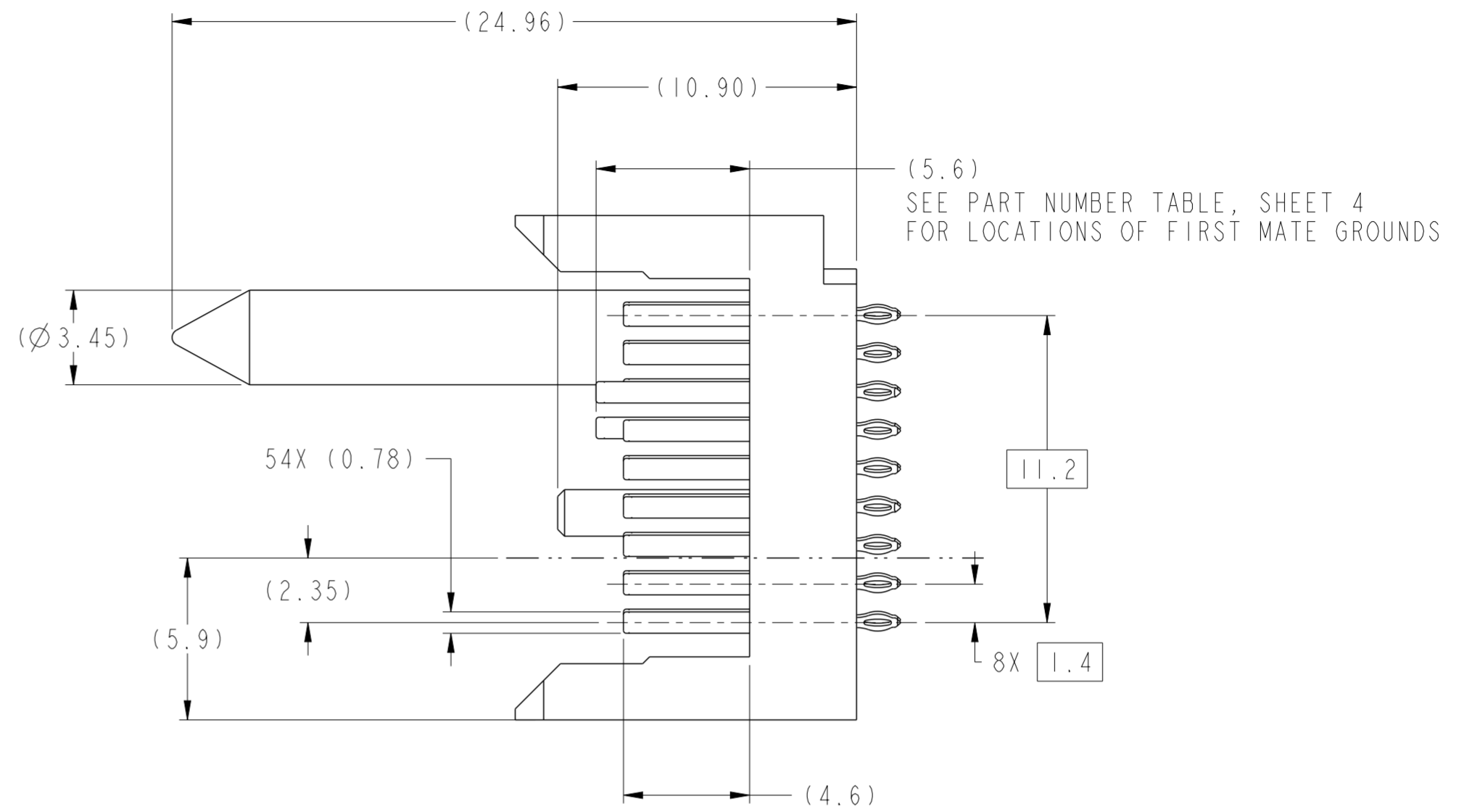
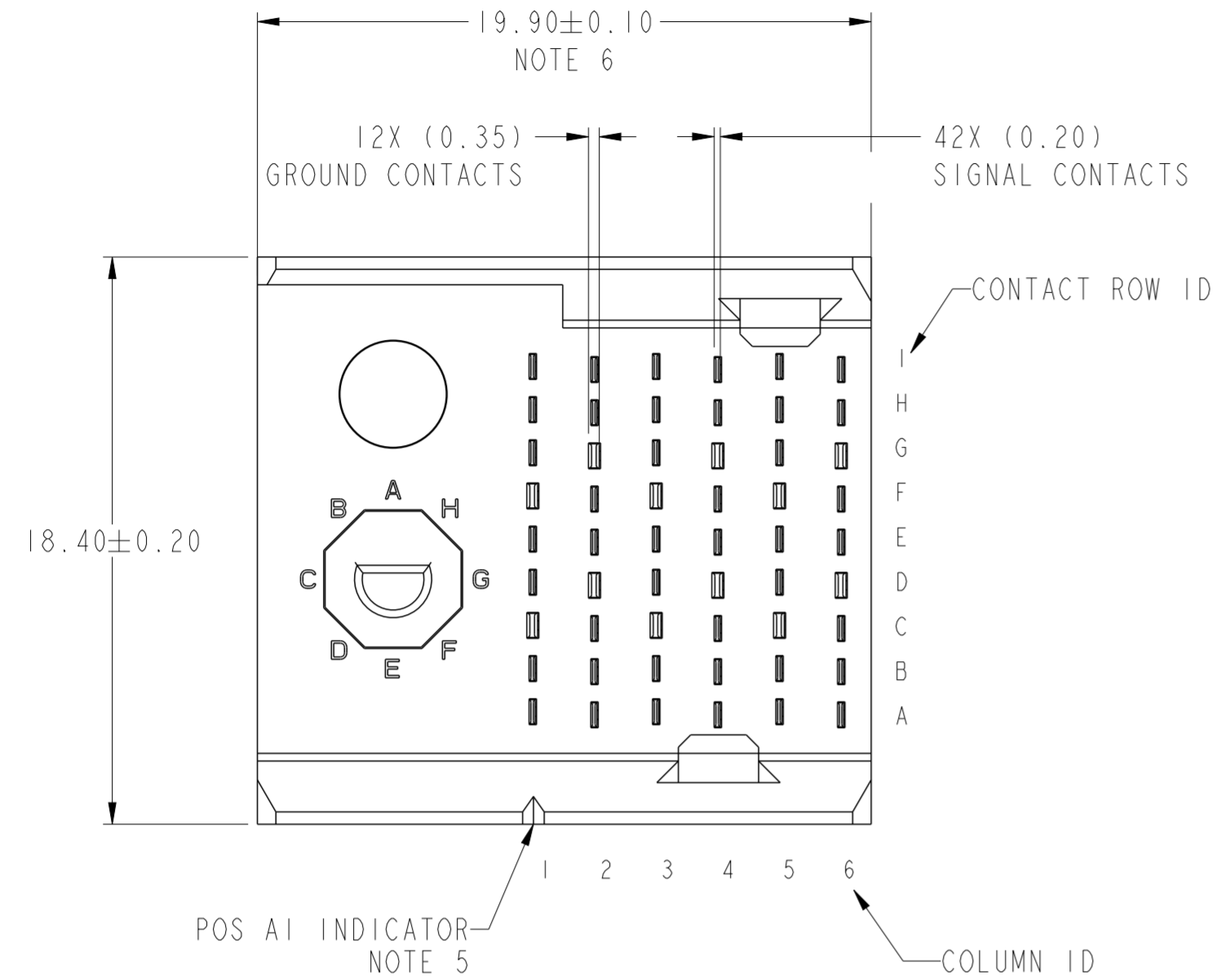
RIGHT POLARIZING WITH GUIDE



RECOMMENDED PCB DETAILS
 SCALE 5:1

spec ref	-	dr	M Srinivasan	2013/02/28	projection	MM	size	A2	scale	5:1
tolerance std	ASME Y14.5	eng	Tao Zhan	2015/05/26	chr	-	ecn no	ELX-DG-20978-1	rel level	Released
surface	✓	appr	Pei-Ming Zheng	2015/05/27	product family	AIRMAX VS2	part no	10124350	rev	B
ASME Y14.5	linear	0.X	±0.3	FCI	title	AIRMAX VS2 VERTICAL HEADER	cat. no.	Product - Customer Drw	sheet 2 of 4	
		0.XX	±0.15	www.fci.com		PRESS-FIT, 3-PAIR, 54 POS, W/G				
	angular	0°	±2°							

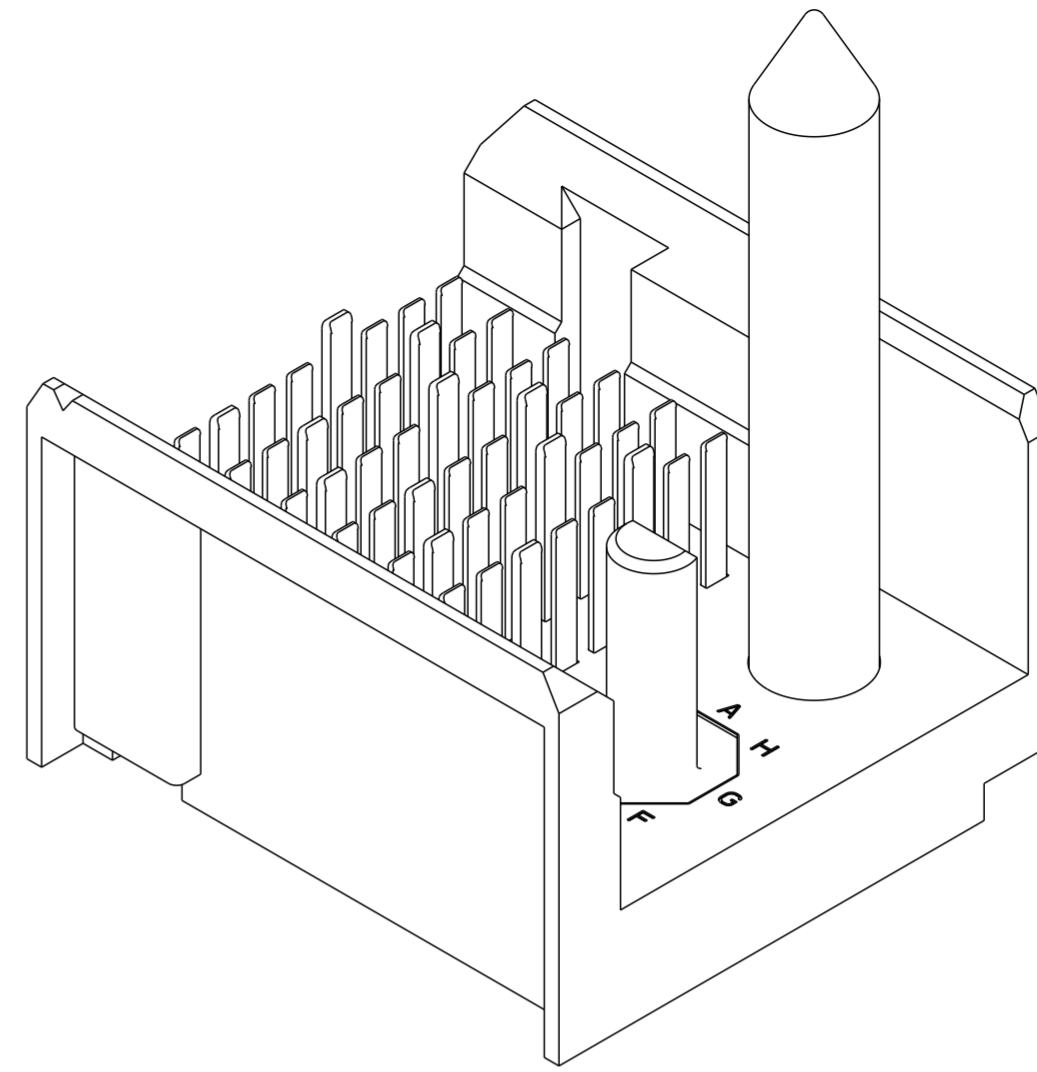
LEFT POLARIZING WITH GUIDE



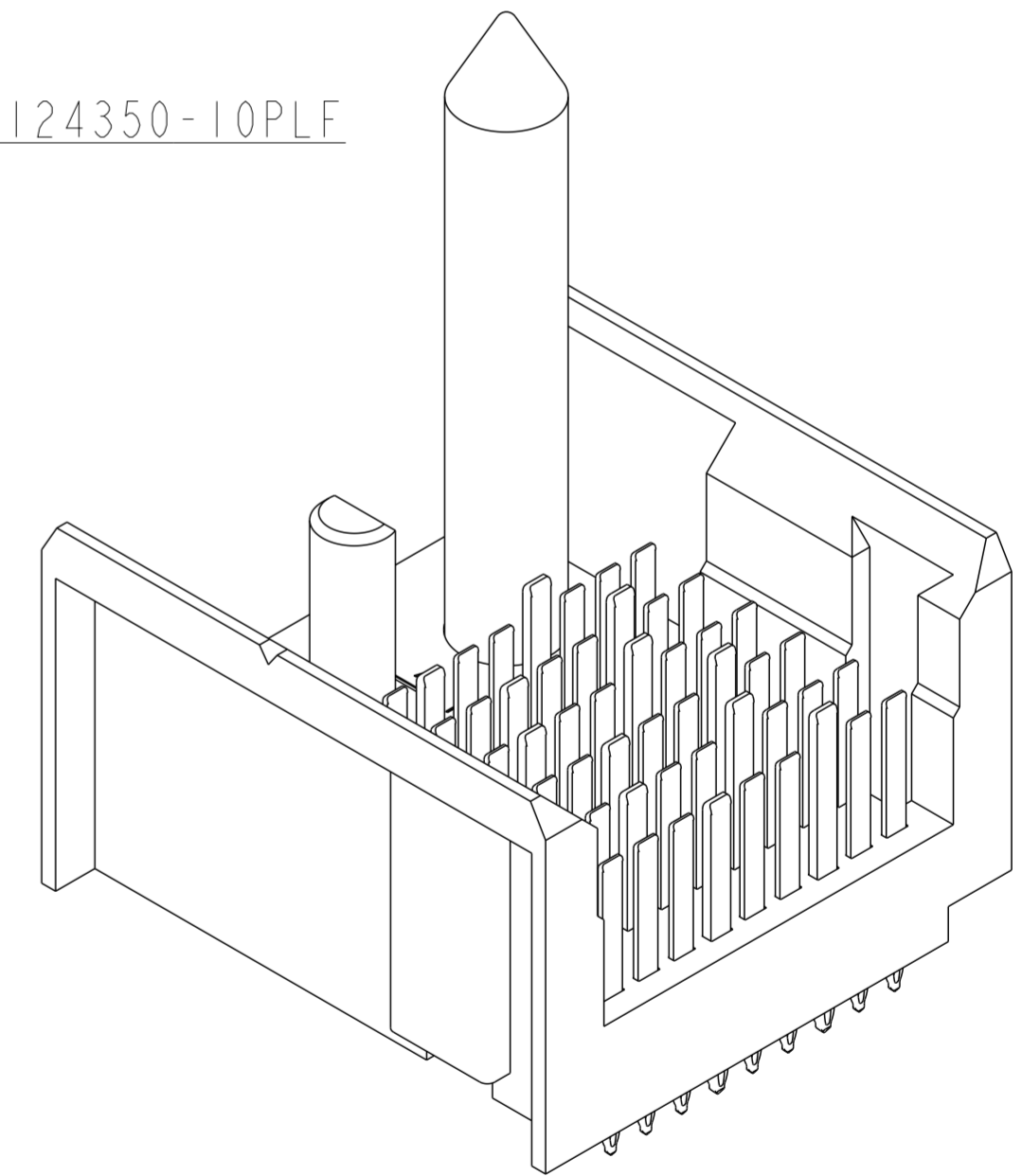
RECOMMENDED PCB DETAILS
SCALE 5:1

spec ref	-	dr	M Srinivasan	2013/02/28	projection	MM	size	A2	scale	5:1				
tolerance std	ASME Y14.5	eng	Tao Zhan	2015/05/26			ecn no	ELX-DG-20978-1	rel level	Released				
TOLERANCES UNLESS OTHERWISE SPECIFIED		chr	-	appr							Pei-Ming Zheng	2015/05/27	product family	AIRMAX VS2
surface	linear	0.X	±0.3		TITLE		AIRMAX VS2 VERTICAL HEADER		10124350	rev	B			
		0.XX	±0.15		PRESS-FIT, 3-PAIR, 54 POS, W/G		cat. no.					-	Product - Customer Drw	sheet 3 of 4
	angular	0°	±2°		www.fci.com									

PART NUMBER	PRESS-FIT TAIL PLATING TYPE	FIRST MATE PIN LOCATIONS
10124350-10PLF	TIN OVER NICKEL (LEAD FREE)	F1, F3, F5 G2, G4, G6
10124350-10ALF	TIN OVER NICKEL (LEAD FREE)	F1, F3, F5 G2, G4, G6



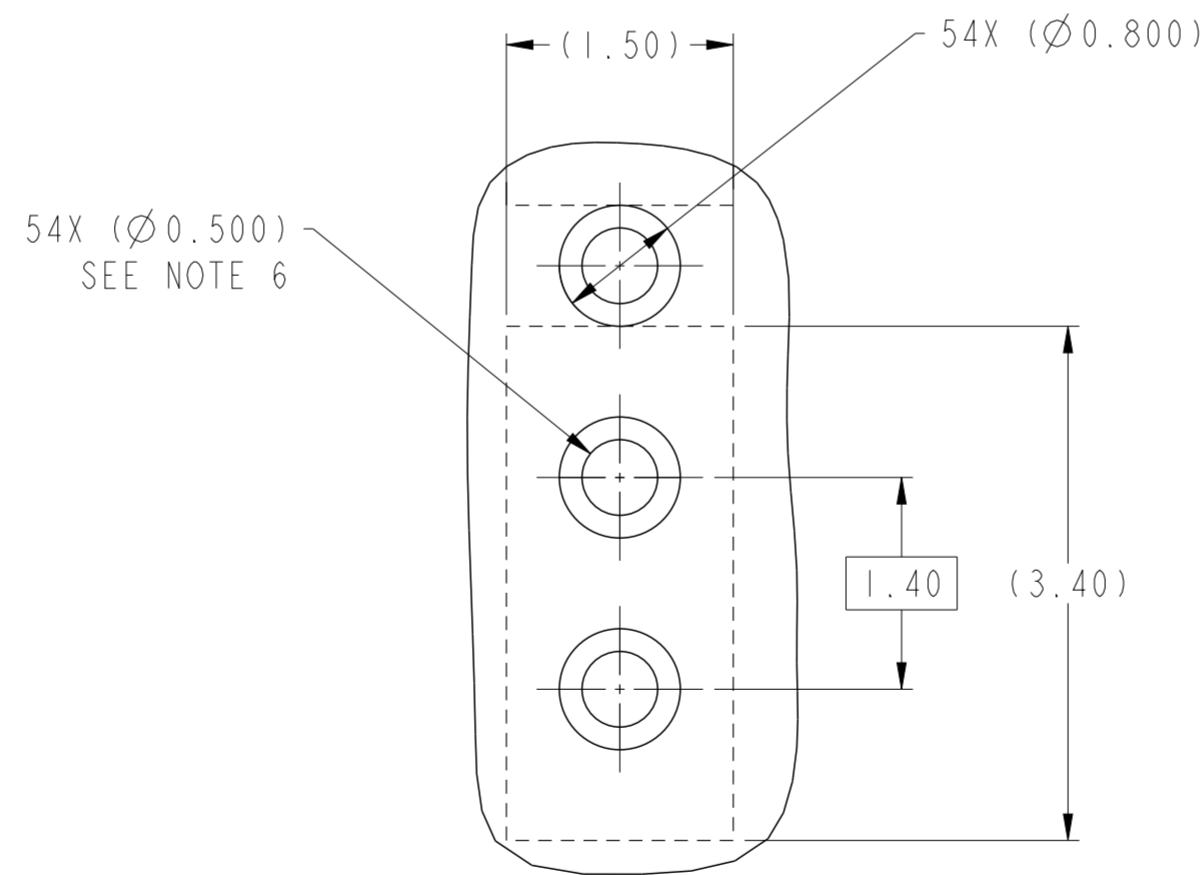
10124350-10PLF



10124350-10ALF

NOTES:

1. CONNECTOR MATERIALS:
HOUSING: HIGH TEMP THERMOPLASTIC, BLACK, UL94V-0
CONTACT: COPPER ALLOY
2. CONTACT PLATING:
SEPARABLE INTERFACE: PERFORMANCE-BASED PLATING, QUALIFIED TO MEET THE REQUIREMENTS OF FCI PRODUCT SPECIFICATION GS-12-0956 INCLUDING TELCORDIA GR-1217-CORE (NOVEMBER 1995) CENTRAL OFFICE TEST SEQUENCE
PRESS-FIT TAILS: SEE TABLE
3. PRODUCT SPECIFICATION: GS-12-239.
4. APPLICATION SPECIFICATION: GS-20-035.
5. CONNECTOR OUTLINE WITH HOUSING POS AI INDICATOR MAY BE SCREEN PRINTED ONTO CUSTOMER PCB TO BE USED AS A GUIDE FOR MANUAL CONNECTOR PLACEMENT.
6. REFER TO CUSTOMER DRAWING 10104444 FOR INFORMATION ON PCB HOLE DIAMETERS AND PLATING OPTIONS.
7. THIS PRODUCT MEETS EUROPEAN UNION DIRECTIVES AND OTHER COUNTRY REGULATIONS AS DESCRIBED IN GS-22-008.
8. PACKAGING MEETS GS-14-920 LEAD FREE LABELING SPECIFICATION.
9. THE SCREW THREAD ON THE CONNECTOR IS 2-56 UNC -2B TAP 8.60 MM, #50 DRILL (1.778) TAP 8.80 MM.
10. NO CIRCUIT IN THIS AREA SURFACE.



DETAIL A
SCALE 20:1

spec ref	-	dr	M Srinivasan	2013/02/28	projection	MM	size	A2	scale	5:1	
tolerance std	ASME Y14.5	eng	Tao Zhan	2015/05/26			ecn no	ELX-DG-20978-1	rel level	Released	
TOLERANCES UNLESS OTHERWISE SPECIFIED		chr	-	appr			Pei-Ming Zheng	2015/05/27		product family	AIRMAX VS2
surface	✓	linear	0.X	±0.3		AIRMAX VS2 VERTICAL HEADER PRESS-FIT, 3-PAIR, 54 POS, W/G	dwg no	10124350	Product - Customer Drw sheet 4 of 4	rev	B
			0.XX	±0.15			cat. no.	-			
		angular	0°	±2°							