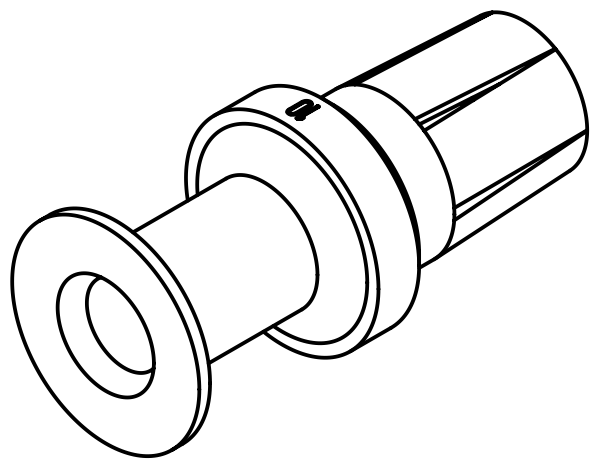


assembly notes see catalog

crimp zone acc. to DIN EN 46235
indicator 10

for stranded fine wire acc. to VDE 0295 class 5 / IEC 60228 class 5

wire gauge: 25mm²



	All rights reserved Department EL PD - DE	All Dimensions in mm Original Size DIN A4		Scale 2:1	Free size tol.	Ref. Sub.
		Created by FINKEV	Inspected by MOOR	Standardisation TIEMANNA	Date 2014-01-29	State Final Release
HARTING Electric GmbH & Co. KG D-32339 Espelkamp		Title Han TC200 female contact 25mm ²			Doc-Key / ECM-Nr. 100182737/UGD/005/B 500000071081	
		Type TB	Number 09 11 000 6220		Rev. B	Page 1/1