

THIS DRAWING IS UNPUBLISHED. RELEASED FOR PUBLICATION, 19 .
 © COPYRIGHT 19 BY AMP INCORPORATED. ALL RIGHTS RESERVED.

LOC	DIST	REVISIONS			
P	LTR	DESCRIPTION	DATE	DWN	APVD
BD	36	E	REDRAWN ON CAD W/O CHANGE PER EC 0020-1343-95	16 FEB 96	BC GS

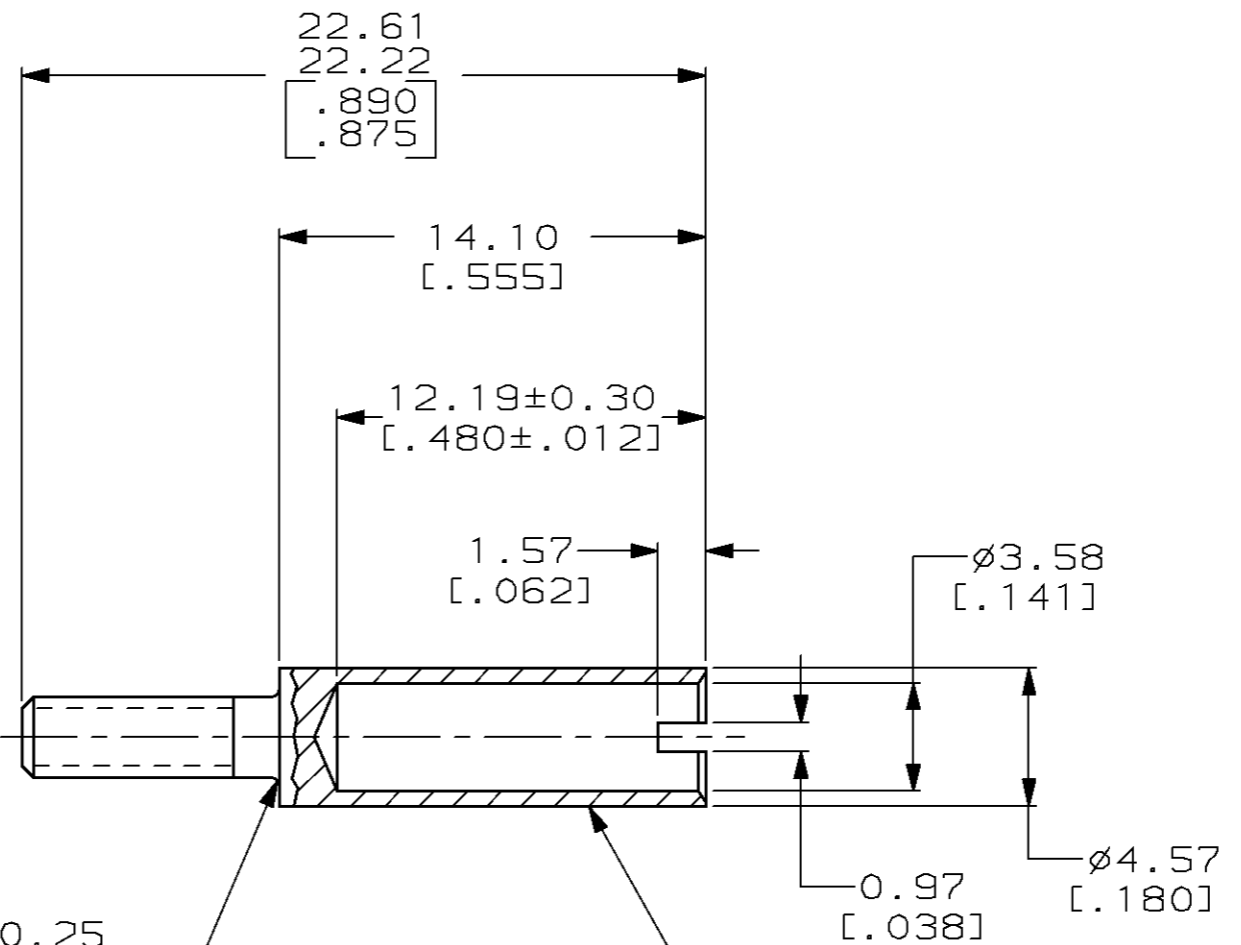
NUT
 #4-40 UNC-2B x 4.75 [.187]
 ACROSS FLATS
 MATERIAL: STAINLESS STEEL
 FINISH: PASSIVATED

∅5.72
 [.225]
 MAX

LOCKWASHER
 MATERIAL: STAINLESS STEEL
 FINISH: PASSIVATED

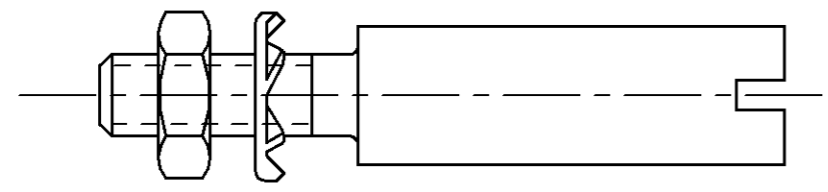
0.25
 0.13
 [.010]
 [.005] R

GUIDE SOCKET
 MATERIAL: STAINLESS STEEL



207619-1

PART
 NUMBER



ASSEMBLED VIEW

THIS DRAWING IS A CONTROLLED DOCUMENT FOR AMP INCORPORATED.
 IT IS SUBJECT TO CHANGE AND THE CONTROLLING ENGINEERING
 ORGANIZATION SHOULD BE CONTACTED FOR THE LATEST REVISION.

DIMENSIONS:	TOLERANCES UNLESS OTHERWISE SPECIFIED:
mm [INCHES]	
0 PLC	±-
1 PLC	±-
2 PLC	±0.13 [.005]
3 PLC	±-
4 PLC	±-
ANGLES	±-

MATERIAL: SEE CALLOUTS
 FINISH: SEE CALLOUTS

DWN	B. CARBO	16 FEB 96
CHK	R. STONE	20 FEB 96
APVD	G. STEINHAEUER	17 APR 96
PRODUCT SPEC	-	-
APPLICATION SPEC	-	-
WEIGHT	-	-
CUSTOMER DRAWING		

AMP AMP Incorporated
 Harrisburg, PA 17105-3608

NAME: GUIDE SOCKET KIT, CENTER, UNASSEMBLED, M SERIES

SIZE	CAGE CODE	DRAWING NO
A3	00779	C-207619

SCALE	SHEET	OF	REV
4:1	1	1	E