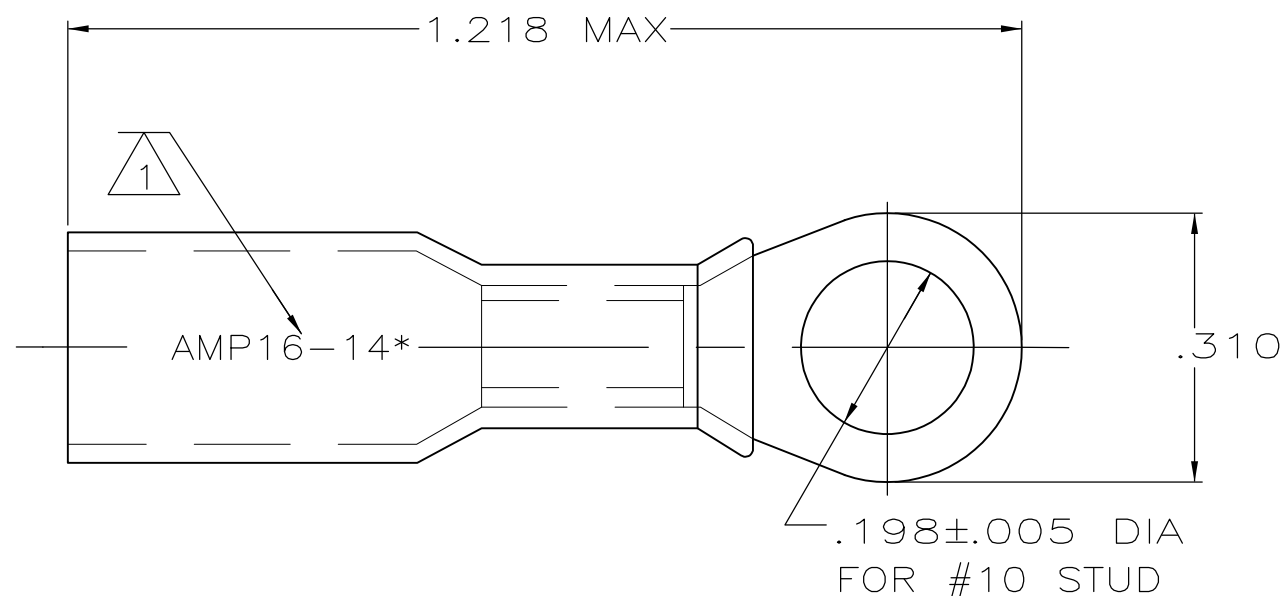
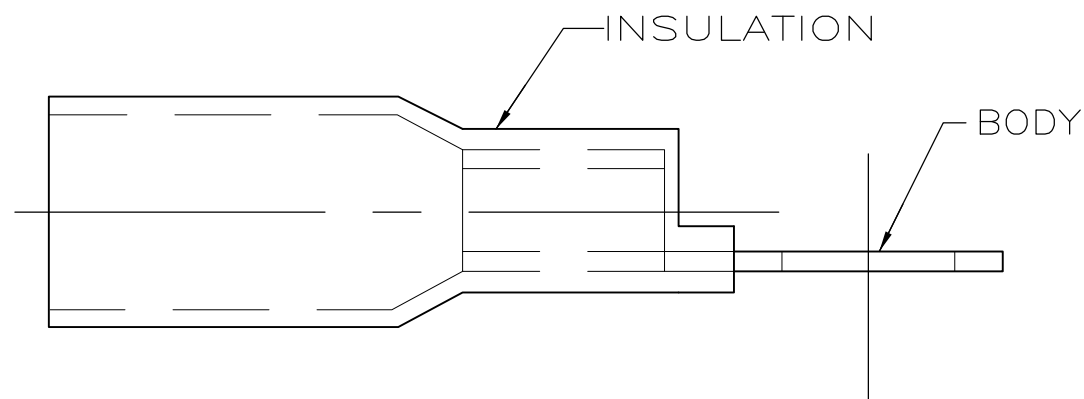


THIS DRAWING IS UNPUBLISHED. RELEASED FOR PUBLICATION
 © COPYRIGHT BY TYCO ELECTRONICS CORPORATION. ALL INTERNATIONAL RIGHTS RESERVED.

LOC	DIST	REVISIONS					
		P	LTR	DESCRIPTION	DATE	DWN	APVD
G	14		E	REVISED PER ECR-09-027352	17FEB10	JR	TM



- 1 STAMP AMP 16-14* APPROX AS SHOWN
- 2 WIRE INSULATION DIA .190 MAX
- 3 TONGUE MATERIAL THK .032±.002
- 4 PRELIMINARY - NOT FOR PRODUCTION



AMP WIRE RANGE
16-14 AWG STRANDED

2500	ON TAPE, REEL	4 2-55852-1
50	LOOSE PIECE	8-55852-2
1000	LOOSE PIECE	55852-1
QTY	PACKAGE TYPE	PART NO

AMP INCORPORATED CUSTOMER SERVICE SYSTEMS		MAX RECOMMENDED OPERATING TEMPERATURE: 125° C MAX	THIS DRAWING IS A CONTROLLED DOCUMENT.		DWN S S GOULDEN 6/93	Tyco Electronics Tyco Electronics Corporation Harrisburg, PA 17105-3608	
FOR ADDITIONAL PRODUCT INFORMATION OR COPIES OF DRAWINGS AND TECHNICAL DOCUMENTS	PRODUCT INFORMATION CENTER 1-800-522-6752	VOLTAGE RATING: 600V MAX (BUILDING WIRING) 1000V MAX (FIXTURES & SIGNS)	DIMENSIONS: INCHES	TOLERANCES UNLESS OTHERWISE SPECIFIED:	CHK R HERSEY 6/93		
FOR APPLICATION TOOLING INFORMATION	TOOLING ASSISTANCE CENTER 1-800-722-1111	CIRCULAR MIL AREA: 1.04-2.62mm ² [2050-5180] STRANDED		0 PLC ± -	APVD B BARE 6/93	SIZE A3 00779	
FOR ORDER ENTRY	1-800-526-5142	THIS DRAWING IS A CONTROLLED DOCUMENT FOR AMP INCORPORATED. IT IS SUBJECT TO CHANGE AND THE CONTROLLING ENGINEERING ORGANIZATION SHOULD BE CONTACTED FOR THE LATEST REVISION.		MATERIAL BODY: ETP COPPER INSULATION: POLYOLEFIN COLOR: BLUE	1 PLC ± -		
				2 PLC ± .008	3 PLC ± -	APPLICATION SPEC 408-4022	RESTRICTED TO -
			3 PLC ± -	4 PLC ± -	WEIGHT -	SCALE NTS	
			4 PLC ANGLES ± -	FINISH EDP TIN PLATED	SHEET 1 OF 1		
							CUSTOMER DRAWING