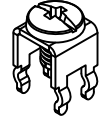
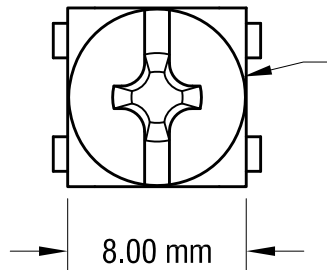
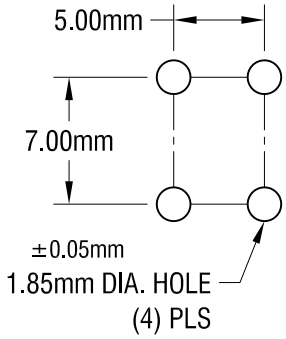


THIS DOCUMENT IS THE PROPERTY OF KEYSTONE ELECTRONICS CORP. AND SHALL NOT BE REPRODUCED, DISTRIBUTED OR USED AS A BASIS FOR MANUFACTURE WITHOUT PRIOR WRITTEN PERMISSION FROM KEYSTONE ELECTRONICS CORP.

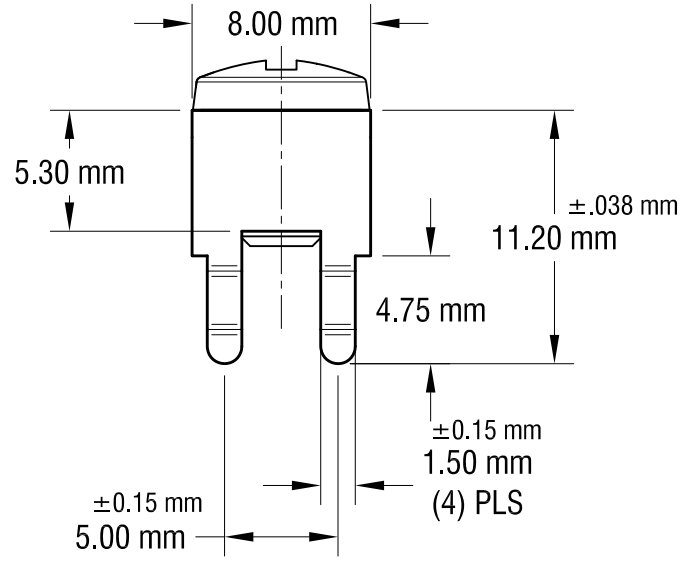
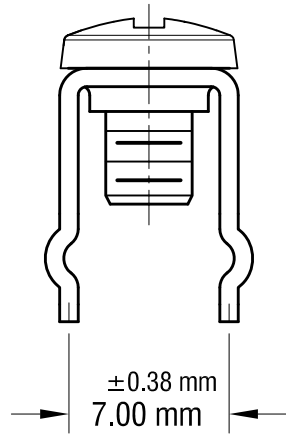
ACTUAL SIZE



MOUNTING DETAIL



M4 x 0.7
6.35 LENGTH
CAPTIVE SCREW



NOTE:

1. TERMINAL:

MAT'L - 0.81mm TH'K BRASS, MATTE TIN PLATE

SCREW : ONE (1) M4 x 0.7 x 6.35mm L.
(CAPTIVE SCREW)

MAT'L - BRASS, NICKEL PLATE

HEAD OF SCREW IS POWDER COATED
WITH COLOR AS INDICATED IN CHART.

2. ALL DIMENSIONS ARE IN MILLIMETERS.

PC SCREW TERMINAL WITH COLORED SCREW HEAD

PART NO.	HEAD COLOR
7797-2	RED
7797-3	BLACK
7797-4	WHITE

PART NO.	HEAD COLOR
7797-5	BLUE
7797-6	GREEN
7797-7	YELLOW

KEYSTONE ELECTRONICS CORP.

www.keyelco.com • ASTORIA, N.Y. 11105-2017 • Tel (718) 956-8900

PART NAME PC METRIC SCREW TERMINAL WITH SCREW			
MATERIAL AS NOTED			
FINISH AS NOTED		DRN BY NT	DATE 6.03.15
		APP'D LN	SCALE 3X
TOLERANCES INCH [MM]	CODE	DWG NO.	
DECIMAL ± [± 0.25]	C	7797-2 - 7797-7	
ANGULAR ± 1° UNLESS OTHERWISE SPECIFIED			

DATE	DESCRIPTION	REV.
------	-------------	------